

iBoard®



Scan for
Installation Video

iBoard® by APS

PART#: IB-P222Y&H

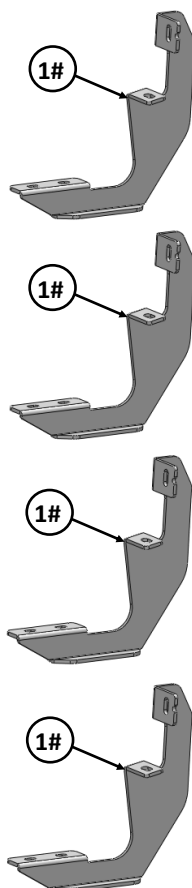
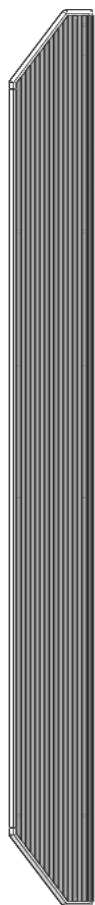
READ INSTRUCTIONS CAREFULLY BEFORE STARTING INSTALLATION. REMOVE CONTENTS FROM BOX AND VERIFY ALL PARTS ARE PRESENT. ASSISTANCE IS RECOMMENDED.

*ROCKER PANEL MOUNT
*NO DRILLING REQUIRED

Fastener Size	Tightening Torque (ft-lbs)	Required
6mm	6-7	X
8mm	16-18	√
10mm	31-32	X
12mm	56-58	X
14mm	92-94	X

PART LIST

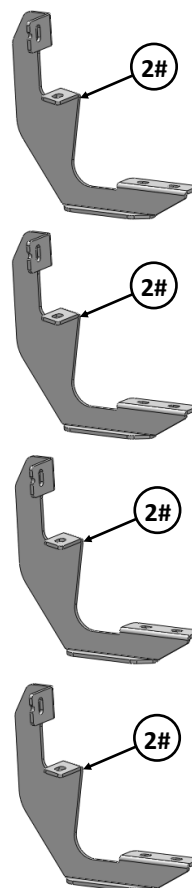
Driver Side Step Bar



Front



Passenger Side Step Bar



Customer Support: info@iboardauto.com



Hardware Package A (For Bracket Installation)

Item	QTY	Description	Item	QTY	Description
1#	4	Driver Side Mounting Brackets	4#	16	M8 Large Flat Washers
2#	4	Passenger Side Mounting Brackets	5#	16	M8 Lock Washers
3#	16	M8X1.25-30mm Hex Bolts			



3 #



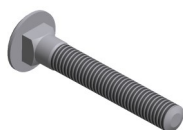
4 #



5 #

Hardware Package B (For Step Bar Installation)

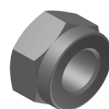
Item	QTY	Description	Item	QTY	Description
1#	16	M8X1.25-35mm Carriage Bolts	3#	16	M8 Nylon Lock Nuts
2#	16	M8 Large Flat Washers	4#	8	Sliders (Packed with Mounting Brackets)



1 #



2 #



3 #

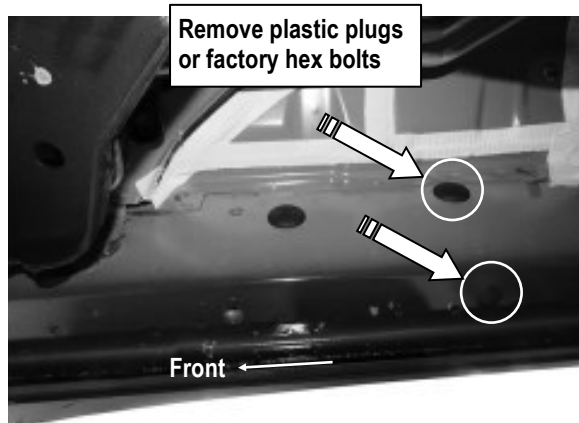


4 #



STEP 1

Start the installation under the passenger side front of the vehicle. Remove plastic plugs or factory hex bolts from the mounting location, (Fig 1).



(Fig 1) Passenger Side Front Mounting Location

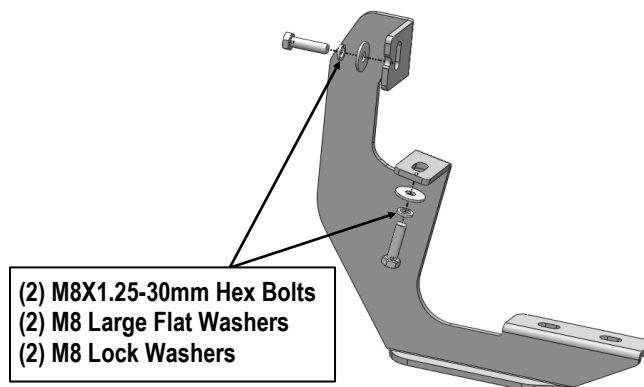
STEP 2

Select (1) Mounting Bracket. Bolt the Mounting Bracket to the factory threaded holes with (2) M8X1.25-30mm Hex Bolts, (2) M8 Large Flat Washers and (2) M8 Lock Washers (Fig 2). Don't fully tighten hardware at this time.

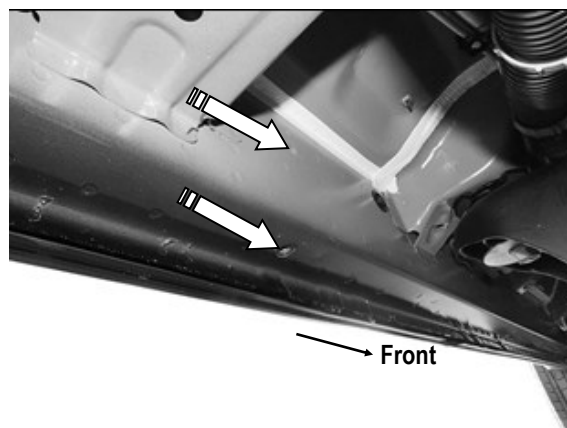
Note: All (4) Passenger Side Mounting Brackets are universal.

STEP 3

Move to Passenger 2nd, 3rd and rear Mounting locations, (Fig 3-5). Repeat **Steps 1-2** to install the Passenger Side 2nd, 3rd and rear Mounting Brackets. Don't fully tighten hardware at this time.



(Fig 2) Passenger Front Mounting Bracket Installation



(Fig 3) Passenger 2nd Mounting Bracket Location



(Fig 4) Passenger 3rd Mounting Bracket Location

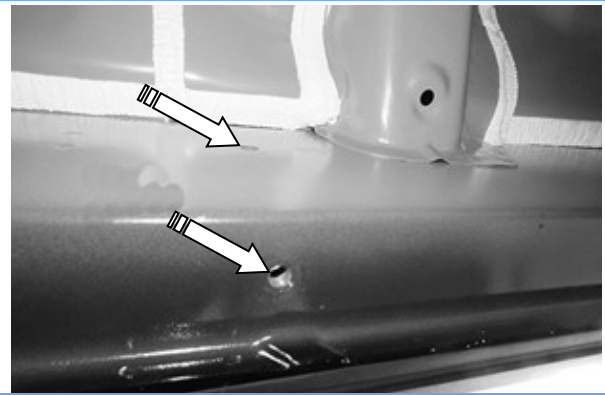


STEP 4

Once all (4) Passenger side mounting brackets are installed, then proceed to the Step Bar installation. (Figs 6 & 7)

- (1) Select (1) Slider and (2) M8X1.25-35mm Carriage Bolts;
- (2) Install (2) M8X1.25-35mm Carriage Bolts in (1) Slider.
- (3) Slide the Slider (with carriage bolts) to the **Step Bar**.
- (4) Repeat to install the other (3) sliders to the step bar.
- (5) Attach the Step Bar (with the Sliders) onto the installed mounting brackets. Position the Sliders to the installed brackets. Secure the Step Bar to the installed Brackets by using (8) M8 Large Flat Washers and (8) M8 Nylon Lock Nuts and (4) Sliders, (Fig 7). Do not fully tighten hardware at this time.

Note: The Sliders are packed with the Mounting Brackets.
Level and adjust the Step Bar and fully tighten all hardware.
Repeat **Steps 1-4** for the other side Step Bar installation. **The installation is completed!!!**

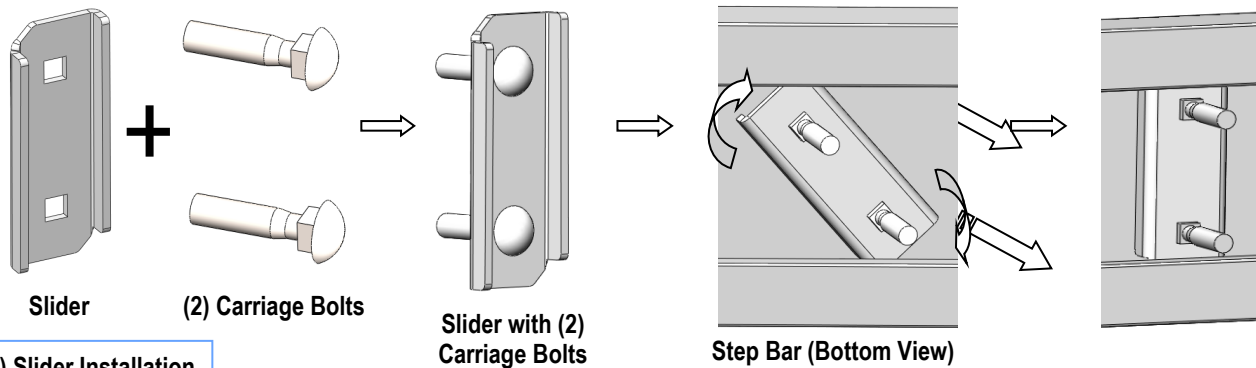


(Fig 5) Passenger Rear Mounting Bracket Location

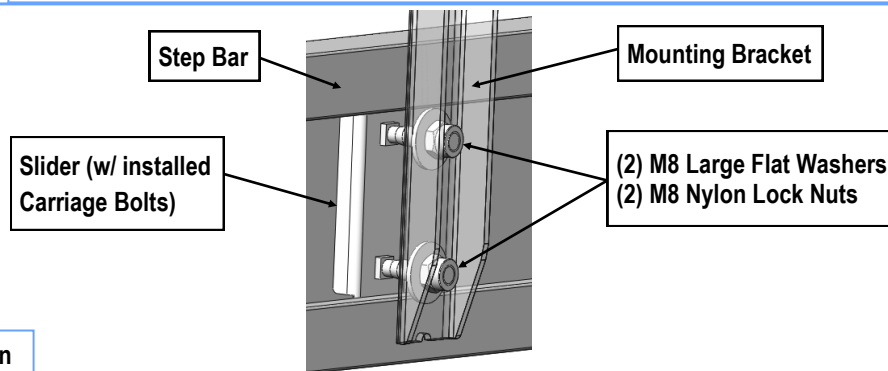
Attention

Do periodic inspections to the installation to make sure that all hardware is secure and tight.

In order to protect your bars/boards, please use mild soap/non-abrasive products for cleaning only.



(Fig 6) Slider Installation



(Fig 7) Step Bar Installation