

# iBoard®

## iBoard® by APS

PART#: IB-016A-B

READ INSTRUCTIONS CAREFULLY BEFORE STARTING INSTALLATION. REMOVE CONTENTS FROM BOX AND VERIFY ALL PARTS ARE PRESENT. ASSISTANCE IS RECOMMENDED.

\*ROCKER PANEL MOUNT  
\*NO DRILLING REQUIRED

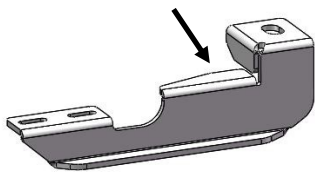
| Fastener Size | Tightening Torque (ft-lbs) |
|---------------|----------------------------|
| 6mm           | 6-7                        |
| 8mm           | 16-18                      |
| 10mm          | 31-32                      |
| 12mm          | 56-58                      |
| 14mm          | 92-94                      |

### PART LIST

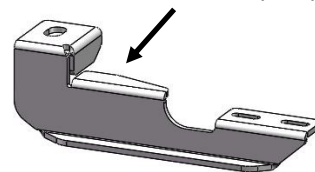
Front



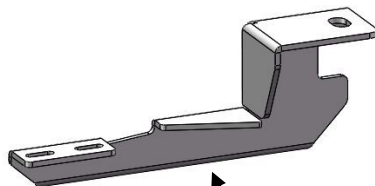
Driver Front Mounting Bracket (DFM)



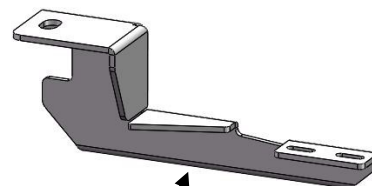
Passenger Front Mounting Bracket (PFM)



Driver Rear Mounting Bracket (DRM)



Passenger Rear Mounting Bracket (PRM)



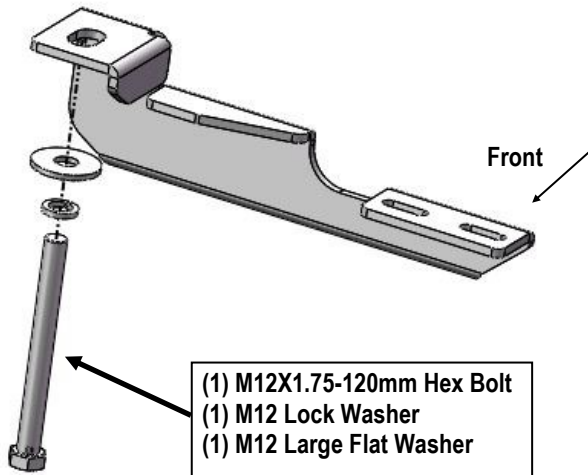
Customer Support: [info@iboardauto.com](mailto:info@iboardauto.com)

# iBoard®



## STEP 1

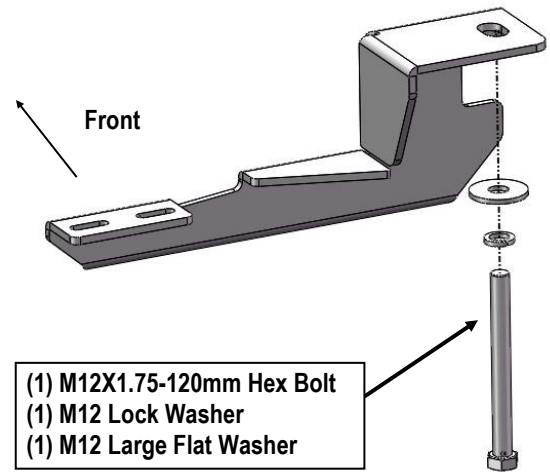
Starting on the driver side front of the vehicle. Select (1) Driver Front Mounting Bracket (**DFM**), attach to the factory nut in the bottom of frame with (1) M12X1.75-120mm Hex Bolt, (1) M12 Lock Washer and (1) M12 Large Flat Washer, (**Fig 1**). Do not fully tighten hardware at this time.



(Fig 1) Driver Front Mounting Bracket Installation

## STEP 2

Move to the driver side rear of the vehicle. Repeat **Step 1** for Driver Rear Mounting Bracket (**DRM**) installation, (**Fig 2**). Do not fully tighten hardware at this time.



(Fig 2) Driver Rear Mounting Bracket Installation

## STEP 3

Select a Running Board. Slip (2) M6x1-20mm Square Head Bolts into each bottom channel (**Fig 3**). Carefully position the Running Board onto the (2) Mounting Brackets.

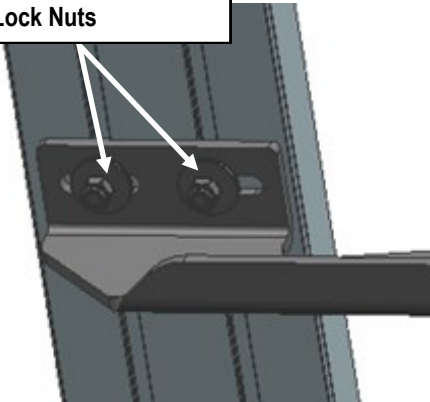
**IMPORTANT:** Do not slide the Running Board on the Brackets or the bottom surface of the board will be damaged. Attach the Running Board to each Mounting Bracket with (2) M6x1-20mm Square Head Bolts, (2) M6 Large Flat Washers and (2) M6 Nylon Lock Nuts (**Fig 4**). Do not fully tighten hardware at this time.

# iBoard®



(Fig 3) Slip M6X1-20mm Square Head Bolts Into The Bottom Channels

- (2) M6X1-20mm Square Head Bolts
- (2) M6 Large Flat Washers
- (2) M6 Nylon Lock Nuts



(Fig 4) Running Board Installed Onto Driver Center Mounting Bracket

## STEP 4

Level and adjust the Running Board and fully tighten all hardware.

## STEP 5

Repeat **Steps 1-5** for the other side Running Board installation. The installation is completed (Fig 5).



(Fig 5) Installation Completed

### Attention

Do periodic inspections to the installation to make sure that all hardware is secure and tight.

In order to protect your bars/boards, please use only mild soap/non-abrasive products for cleaning.