

iBoard®



Scan for
Installation Video

iBoard® by APS

PART#: IB-026C&H

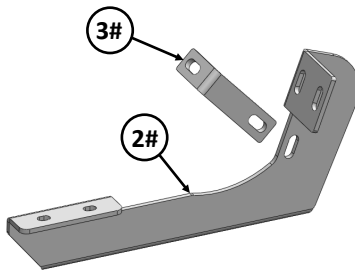
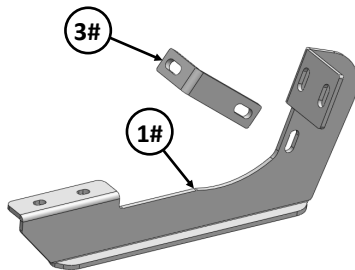
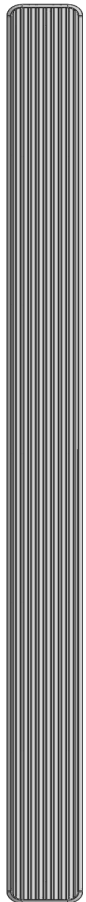
READ INSTRUCTIONS CAREFULLY BEFORE STARTING INSTALLATION. REMOVE CONTENTS FROM BOX AND VERIFY ALL PARTS ARE PRESENT. ASSISTANCE IS RECOMMENDED.

*ROCKER PANEL MOUNT
*NO DRILLING REQUIRED

Fastener Size	Tightening Torque (ft-lbs)	Required
6mm	6-7	X
8mm	16-18	√
10mm	31-32	X
12mm	56-58	X
14mm	92-94	X

PART LIST

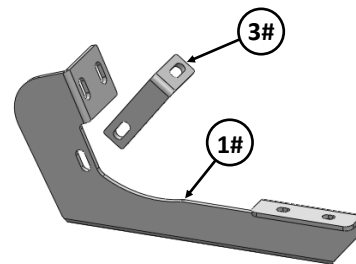
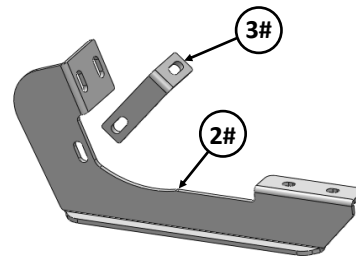
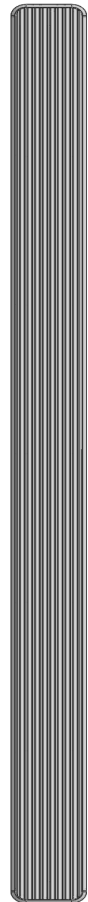
Driver Side Step Bar



Front



Passenger Side Step Bar




Customer Support: info@iboardauto.com




Mounting Bracket List					
Item	QTY	Description	Item	QTY	Description
1#	2	Driver Front / Passenger Rear Mounting Brackets	3#	4	Support Brackets
2#	2	Passenger Front / Driver Rear Mounting Brackets			


Hardware Package A (For Bracket Installation)					
Item	QTY	Description	Item	QTY	Description
1#	16	M8X1.25-30mm Hex Bolts	3#	16	M8 Lock Washers
2#	20	M8 Large Flat Washers	4#	4	M8X1.25 Hex Nuts




1 #



2 #

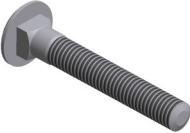


3 #




4 #


Hardware Package B (For Stainless Steel Step Bar Installation)					
Item	QTY	Description	Item	QTY	Description
1#	8	M8X1.25-35mm Carriage Bolts	3#	8	M8 Nylon Lock Nuts
2#	8	M8 Large Flat Washers	4#	4	Sliders (Packed with Step Bars)



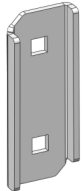
1 #



2 #



3 #

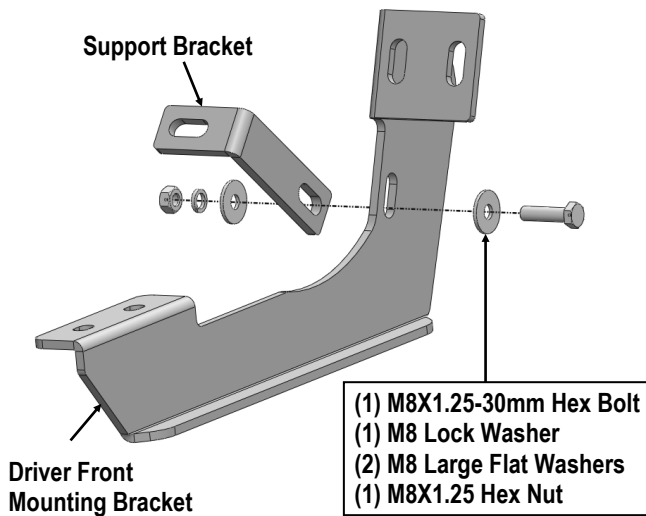


4 #



STEP 1

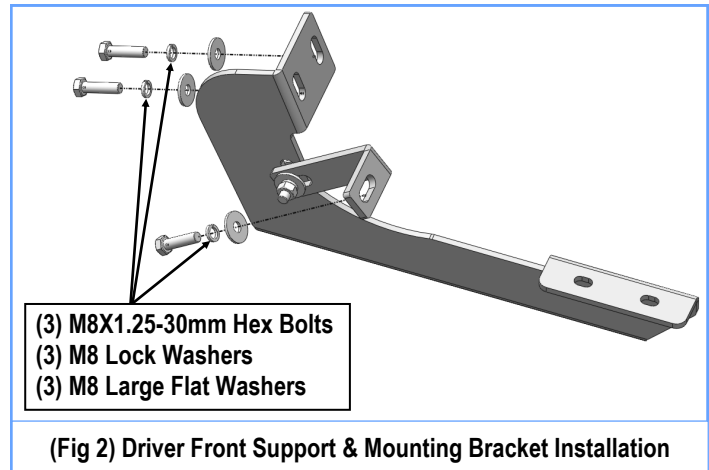
Starting on the driver side of the vehicle. Select (1) Driver Front Mounting Bracket and (1) Support Bracket, attach the Support Bracket to the front facing side of the Mounting Bracket with (1) M8X1.25-30mm Hex Bolt, (1) M8 Lock Washer, (2) M8 Large Flat Washers and (1) M8X1.25 Hex Nut, (Fig 1). Do not fully tighten hardware at this time.



(Fig 1) Driver Front Support & Mounting Bracket Assembly

STEP 2

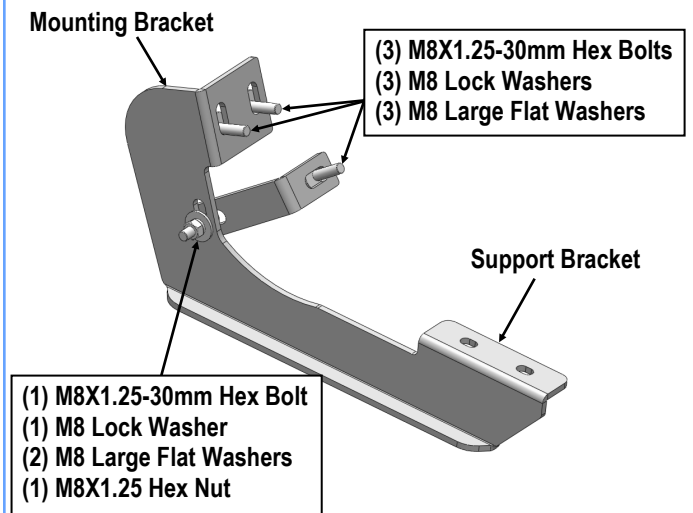
Attach the assembled Driver Front Mounting Bracket onto the (2) thread holes on the inner of the rocker panel with the included (2) M8X1.25-30mm Hex Bolt, (2) M8 Lock Washer and (2) M8 Flat Washers, (Fig 2). And then, bolt the Support Bracket to the pinch weld with (1) M8X1.25-30mm Hex Bolt, (1) M8 Lock Washer and (1) M8 Large Flat Washer, (Fig 2). Do not fully tighten hardware at this time.



STEP 3

Move to the Driver Side Rear Location of the vehicle. Repeat Steps 1-2 for Driver Rear Mounting Bracket & Support Bracket installation, (Fig 3). Do not fully tighten hardware at this time.

Note: All (4) Support Brackets are universal.



(Fig 3) Driver Rear Support & Mounting Bracket Installation



STEP 4

Once all (2) Driver side mounting brackets are installed, then proceed to the Step Bar installation. **(Figs 4 & 5)**

- (1) Select (1) Slider and (2) M8X1.25-35mm Carriage Bolts;
- (2) Install (2) M8X1.25-35mm Carriage Bolts in (1) Slider.
- (3) Slide the Slider (with carriage bolts) to the **Step Bar**.
- (4) Repeat to install the other (1) slider to the step bar.
- (5) Attach the Step Bar (with the Sliders) onto the installed mounting brackets. Position the Sliders to the installed brackets. Secure the Step Bar to the installed Brackets by using (4) M8 Large Flat Washers and (4) M8 Nylon Lock Nuts and (2) Sliders, **(Fig 5)**. Do not fully tighten hardware at this time.

Note: The Sliders are packed with the Step Bars.

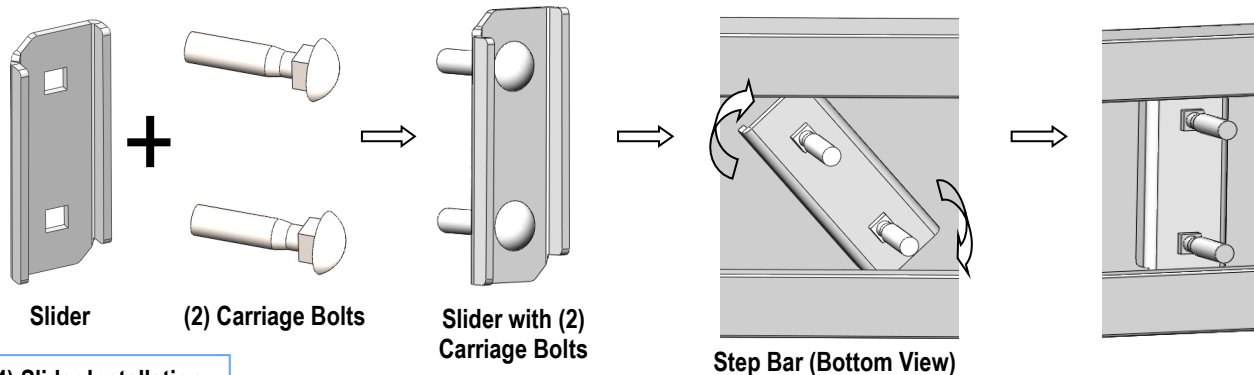
Level and adjust the Step Bar and fully tighten all hardware.

Repeat **Steps 1-4** for the other side Step Bar installation. **The installation is completed!!!**

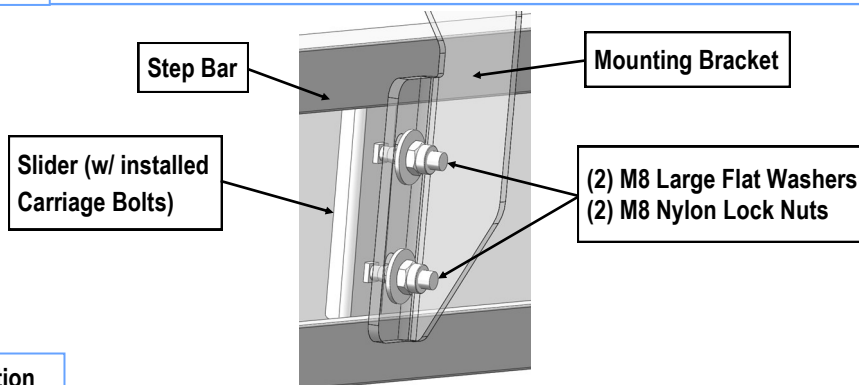
Attention

Do periodic inspections to the installation to make sure that all hardware is secure and tight.

In order to protect your bars/boards, please use mild soap/non-abrasive products for cleaning only.



(Fig 4) Slider Installation



(Fig 5) Step Bar Installation