

iArmor[®]

iArmor[®] by APS

PART#: IA-S097H&S098H

BEFORE INSTALLATION

REMOVE CONTENTS FROM BOX. VERIFY ALL PARTS ARE PRESENT. READ INSTRUCTIONS CAREFULLY BEFORE STARTING INSTALLATION. ASSISTANCE IS RECOMMENDED. THANK YOU FOR CHOOSING OUR PRODUCT!

*ROCKER PANEL MOUNT

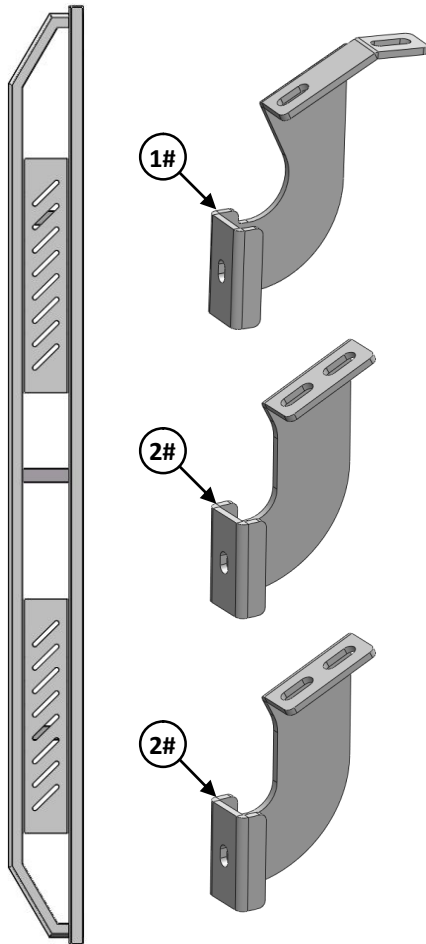
*DRILLING NOT REQUIRED

Torque Value

Fastener Size	Tightening Torque (ft-lbs)	Required
6mm	6-7	X
8mm	16-18	√
10mm	31-32	X
12mm	56-58	X
14mm	92-94	X

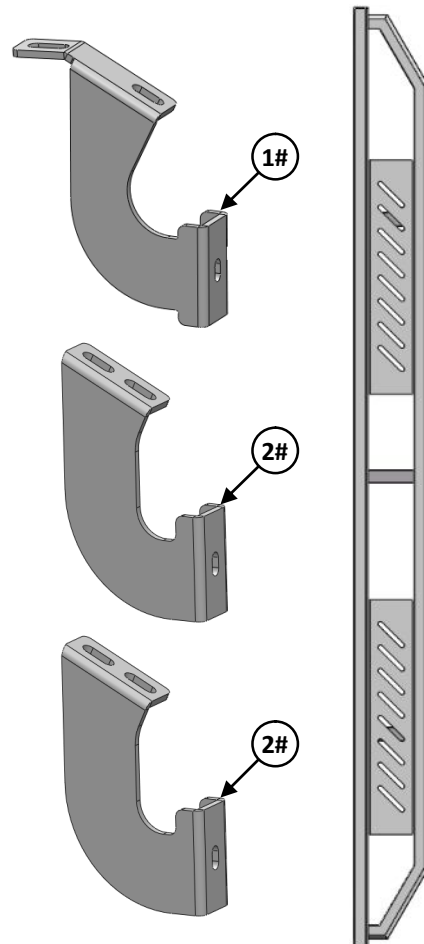
PART LIST

Driver Side Step Bar



Front

Passenger Side Step Bar

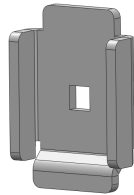


Customer Support: info@iarmorauto.com

iArmor®

Hardware Package A (For Bracket Installation)

Item	QTY	Description	Item	QTY	Description
1#	2	Driver / Passenger Front Mounting Brackets	4#	12	M8X1.25-30mm Hex Bolts
2#	4	Driver / Passenger Center / Rear Mounting Brackets	5#	12	M8 Large Flat Washers
3#	6	U Brackets	6#	12	M8 Lock Washers



3 #



4 #



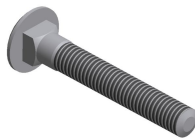
5 #



6 #

Hardware Package B (For Step Bar Installation)

Item	QTY	Description	Item	QTY	Description
1#	6	M8X1.25-55mm Carriage Bolts	3#	6	M8 Lock Washers
2#	6	M8 Large Flat Washers	4#	6	M8 Hex Nuts



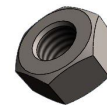
1 #



2#



3 #



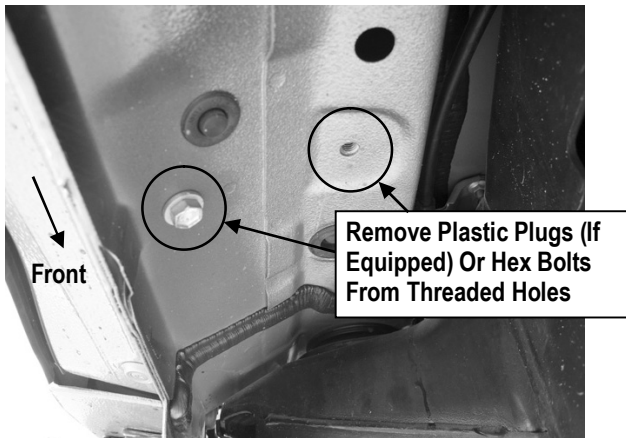
4 #

iArmor®

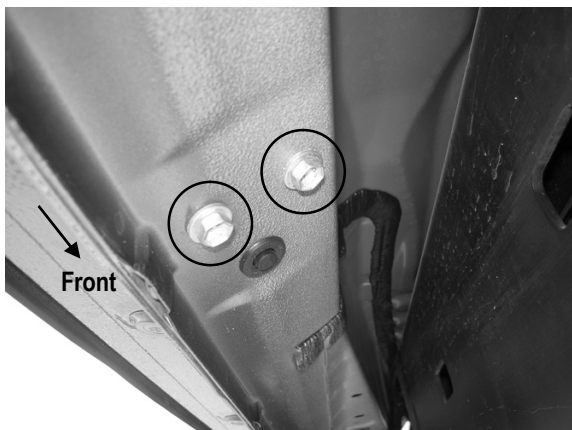
The instruction here is for your reference only. We strongly recommend the professional installer for best result. We are not responsible for any damage caused by the installation.

STEP 1

Start the installation under the driver side of the vehicle. Determine Driver Side Front, Center and Rear Mounting Locations (Figs 1 & 2).



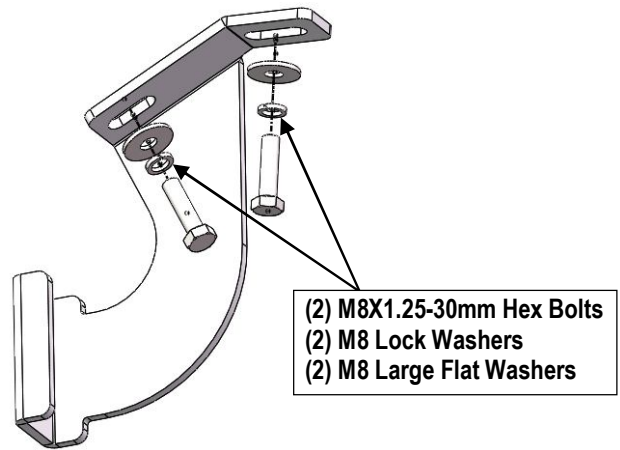
(Fig 1) Driver Side Front Mounting Location



(Fig 2) Driver Side Center/Rear Mounting Location

STEP 2

Attach the Driver Front Mounting Bracket to the body panel by using (2) M8X1.25-30mm Hex Bolts, (2) M8 Large Flat Washers and (2) M8 lock washers. Don't fully tighten at this time, (Figs 3 & 4).



(Fig 3) Driver Front Mounting Bracket Installation



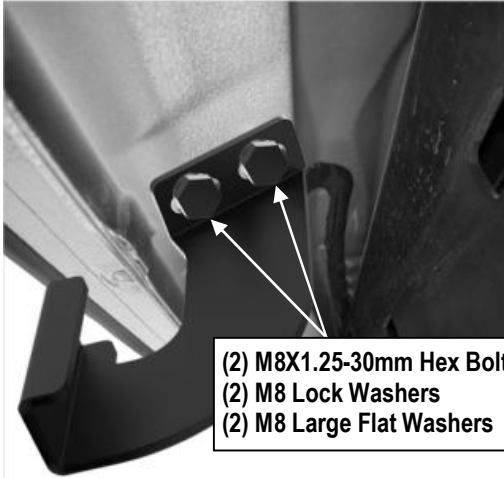
(Fig 4) Driver Front Mounting Bracket Installed

STEP 3

Repeat **Step 2** to install the remaining driver side center and rear mounting brackets (Fig 5).

Note: Driver/Passenger Center and Rear Mounting Brackets are universal.

iArmor®



(2) M8X1.25-30mm Hex Bolts
(2) M8 Lock Washers
(2) M8 Large Flat Washers

(Fig 5) Driver Center/Rear Mounting Bracket Installed

STEP 4

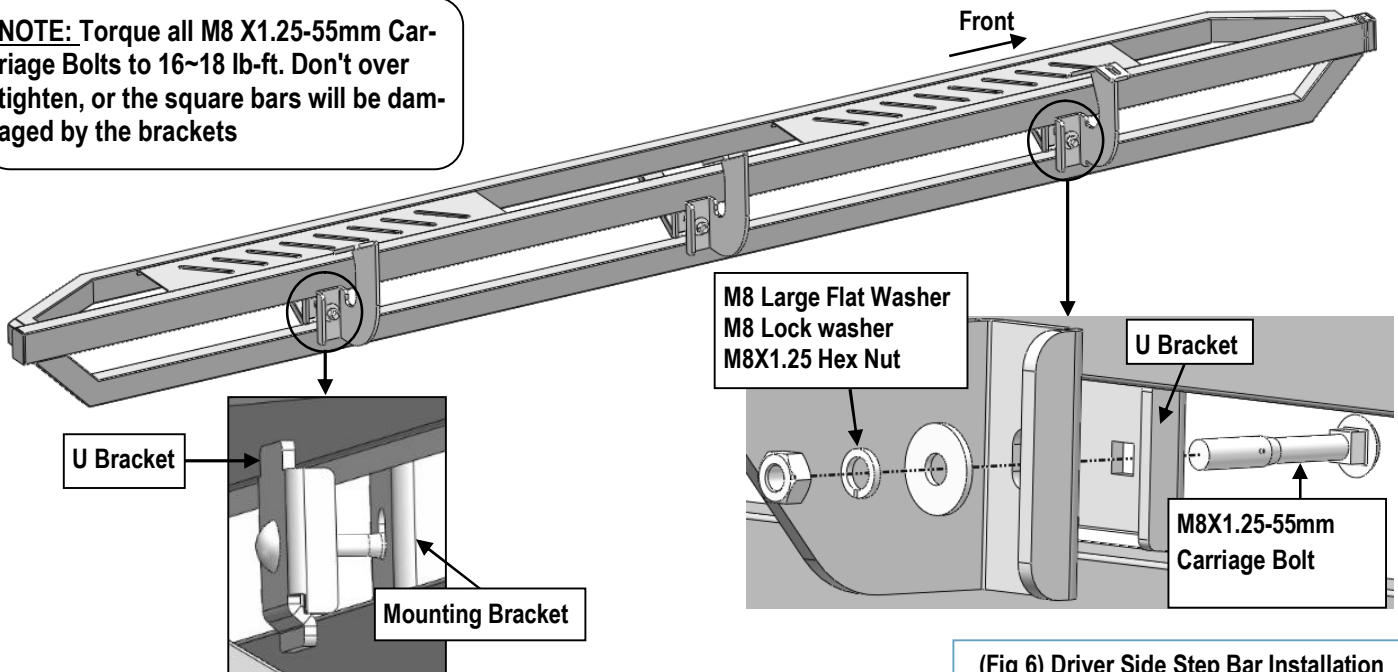
Once all (3) driver side mounting brackets are installed, select and attach the Driver Side Step Bar onto the Mounting Brackets with (3) U Brackets, (3) M8X1.25-55 Carriage Bolts, (3) M8 Large Flat Washers, (3) M8 Lock Washers and (3) M8X1.25 Hex Nuts, (Fig 6). Do not fully tighten hardware at this time.

STEP 5

Properly level and adjust the Step Bar and fully tighten all hardware. Move to the passenger side of the vehicle. Repeat **Steps 1-5** to install the passenger side step bar.

Installation completed.

NOTE: Torque all M8 X1.25-55mm Carriage Bolts to 16~18 lb-ft. Don't over tighten, or the square bars will be damaged by the brackets



(Fig 6) Driver Side Step Bar Installation

Attention

Do periodic inspections to the installation to make sure that all hardware is secure and tight.
In order to protect your bars/boards, please use mild soap/non-abrasive products for cleaning only.