

# iArmor®

## IARMOR EDGE™

PART#: IA-N056H

### BEFORE INSTALLATION

REMOVE CONTENTS FROM BOX. VERIFY ALL PARTS ARE PRESENT. READ INSTRUCTIONS CAREFULLY BEFORE STARTING INSTALLATION. ASSISTANCE IS RECOMMENDED. THANK YOU FOR CHOOSING OUR PRODUCT!

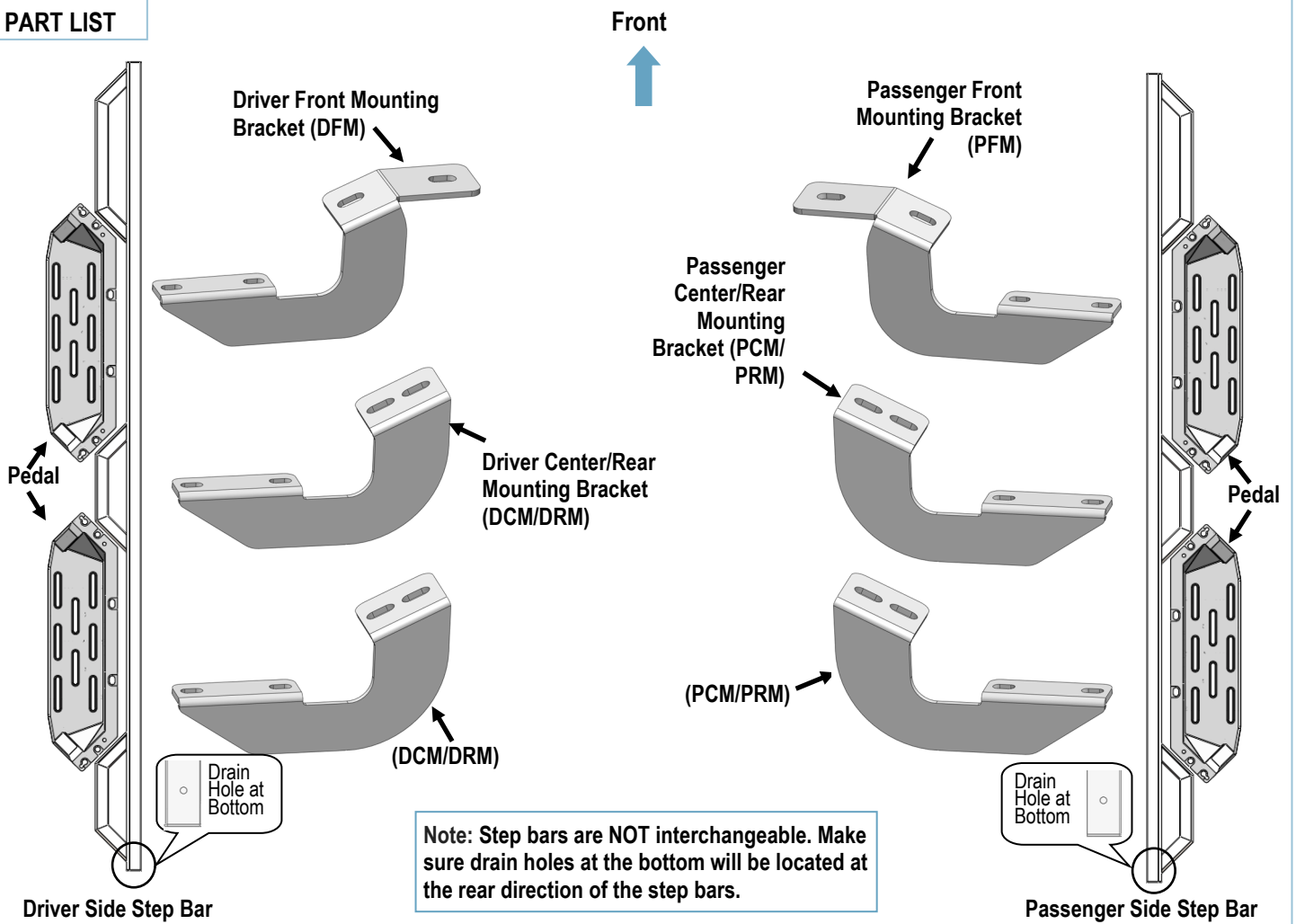
\*ROCKER PANEL MOUNT

\*DRILLING NOT REQUIRED

### Torque Value

Fastener Size	Tightening Torque (ft-lbs)	Required
6mm	6-7	X
8mm	16-18	√
10mm	31-32	X
12mm	56-58	X
14mm	92-94	X

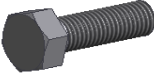
### PART LIST




Customer Support: [info@iarmorauto.com](mailto:info@iarmorauto.com)

# iArmor<sup>®</sup>


Hardware Package A (For Brackets & Bars Installation)					
Item	QTY	Description	Item	QTY	Description
1#	12	M8X1.25-30mm Hex Bolts	4#	12	M8X1.25-20 T-Bolts
2#	24	M8 Large Flat Washers	5#	12	M8 Plastic Washers
3#	12	M8 Lock Washers	6#	12	M8 Nylon Lock Nuts




1 #




2 #




3 #



4 #

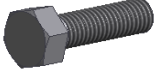


5 #




6 #


Hardware Package B (For Step Pedals Installation)					
Item	QTY	Description	Item	QTY	Description
1#	24	M8X1.25-25 Hex Bolts	3#	24	M8 Lock Washers
2#	24	M8 Large Flat Washers			



1#



2#



3#

Customer Support: [info@iarmorauto.com](mailto:info@iarmorauto.com)

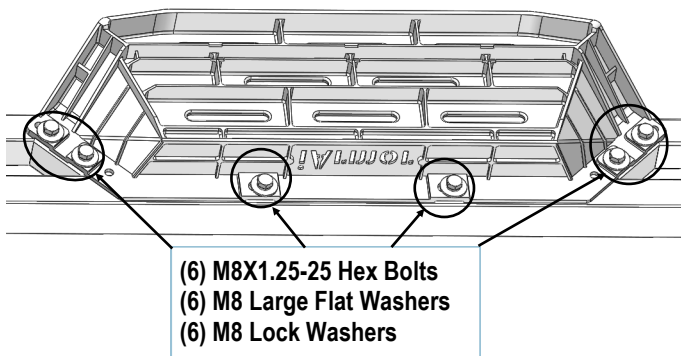
# iArmor®

The instruction here is for your reference only. We strongly recommend the professional installer for best result. We are not responsible for any damage caused by the installation.

## STEP 1

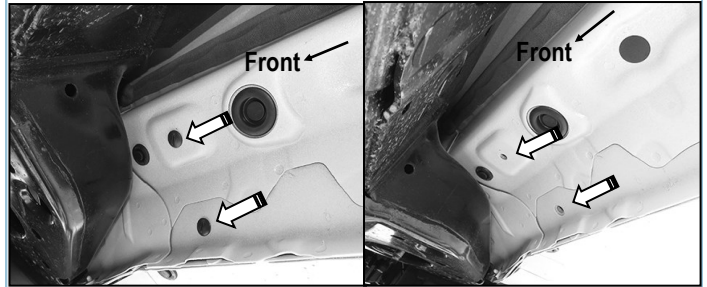
Install (4) Pedals onto the step bars with (24) M8X1.25-25mm Hex Bolts, (24) M8 Large Flat Washers and (24) M8 Lock Washers.

**IMPORTANT:** Don't punch the pedal with any metal hammer within pedal installation, or the pedal will be damaged.



## STEP 2

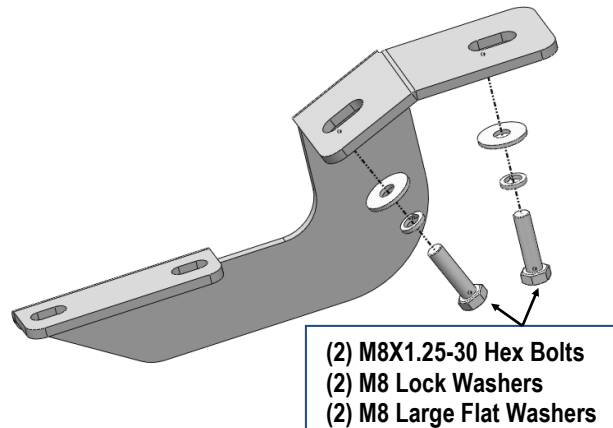
Starting from the Passenger Side Front of the vehicle, remove the plastic plugs or bolts covering the threaded holes in the rocker panel, (Fig 1).



(Fig 1) Remove plastic plugs or factory hex bolts (If equipped) (Passenger Side Front Mounting Location)

## STEP 3

Attach the Passenger Front Mounting Bracket (PFM) to the vehicle with (2) M8X1.25-30 Hex Bolts, (2) M8 Lock Washers and (2) M8 Large Flat Washers, (Fig 2). Do not fully tighten hardware at this time.

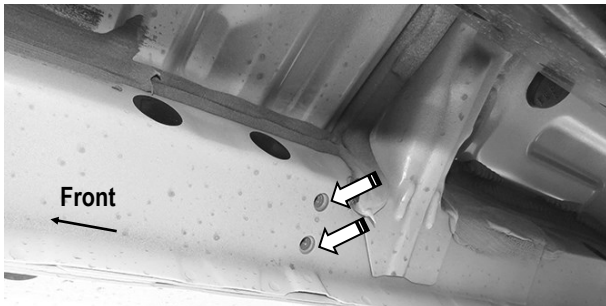


(Fig 2) Passenger Front Mounting Bracket (PFM) Installation

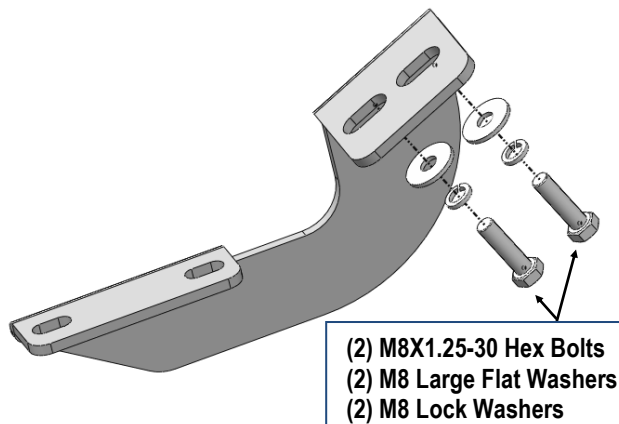
## STEP 4

Move to the Passenger Side Center Mounting location. Attach the Passenger Center Mounting Bracket (PCM/PRM) to the rocker panel with (2) M8X1.25-30 Hex Bolts, (2) M8 Lock Washers and (2) M8 Large Flat Washers, (Fig 3 & 4). Do not fully tighten hardware at this time.

# iArmor<sup>®</sup>



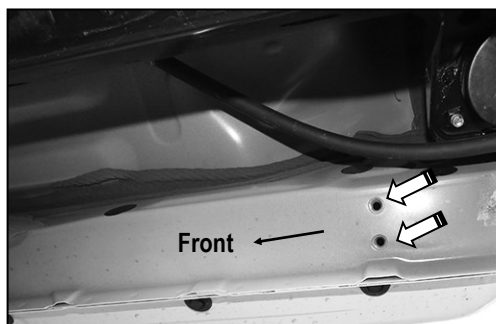
(Fig 3) Passenger Side Center Mounting Location



(Fig 4) Passenger Center Mounting Bracket (PCM/PRM) Installation

## STEP 5

Move to the Passenger Side Rear Mounting location, (Fig 5). Repeat **Step 4** to install Passenger Rear Mounting Bracket (PCM/PRM). Do not fully tighten hardware at this time.

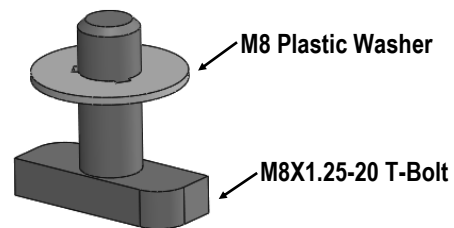


(Fig 5) Passenger Side Rear Mounting Location

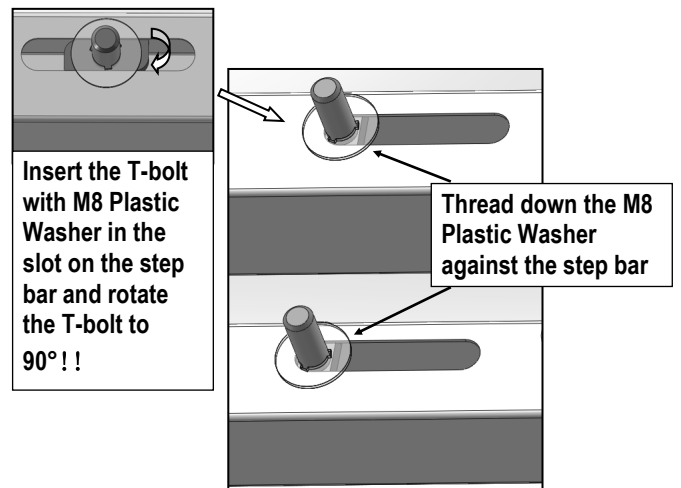
## STEP 6

Once all (3) brackets have been installed, select (6) M8X1.25-20mm T-Bolts, thread (1) M8 Plastic Washer on each T-Bolt, (Fig 6). Install the (6) M8X1.25-20mm T-Bolts with plastic washers in the slots on the assembled Passenger side step bar. Rotate the T-Bolts to 90 degree, thread down the M8 Plastic Washers against the step bar (Fig 7).

**NOTE:** The Plastic Washer is designed to keep the T-Bolt in place to avoid falling into the tube during installation.



(Fig 6) Thread (1) M8 Plastic Washer on each T-Bolt Before Inserting into the slot !!!



(Fig 7) T-Bolt with plastic washer in the slot

# iArmor®

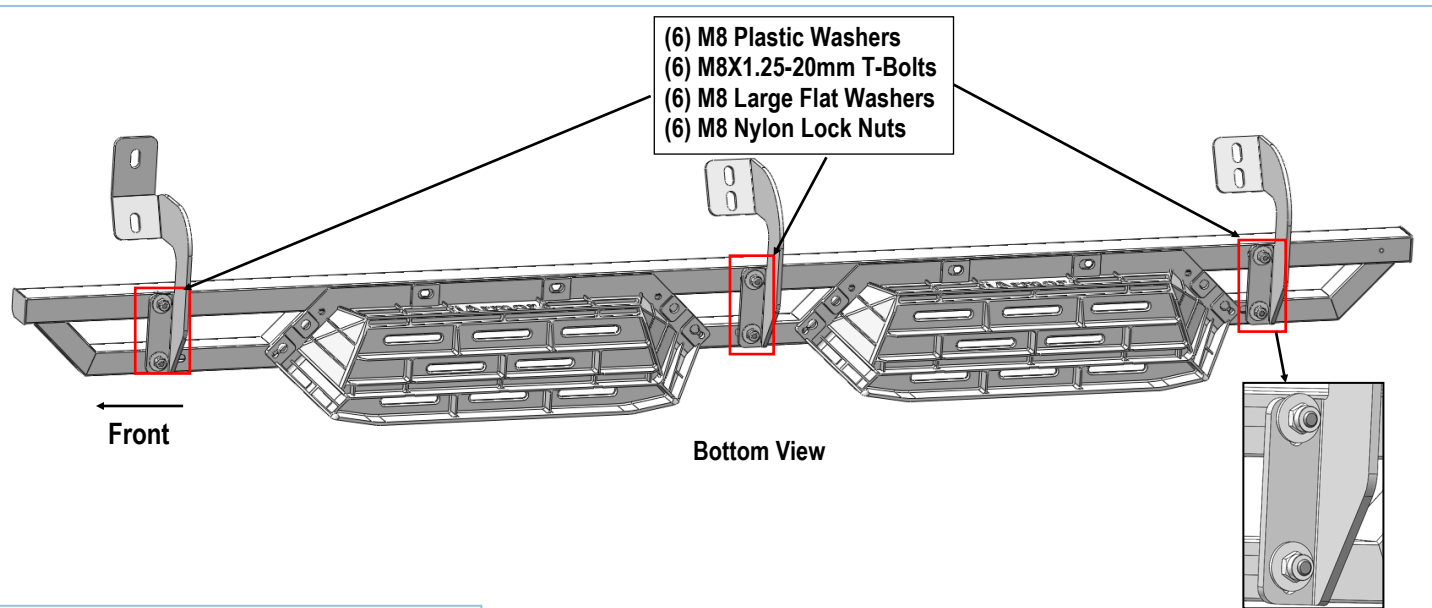
## STEP 7

Attach the Assembled Passenger Side Step Bar onto the Mounting Brackets with (6) M8 Plastic Washers, (6) M8X1.25-20mm T-Bolts, (6) M8 Large Flat Washers, (6) M8 Nylon Lock Nuts, (Fig 8). Do not fully tighten hardware at this time.

## STEP 8

Level and adjust the assembled Step Bar properly and tighten all hardware.

Move to the other side of the vehicle. Repeat **Steps 2-7** for the other Side Step Bar installation.



(Fig 8) Passenger Side Step Bar Installation

### Attention

Do periodic inspections to the installation to make sure that all hardware is secure and tight.  
In order to protect your bars/boards, please use mild soap/non-abrasive products for cleaning only.