

iArmor[®]

IARMOR EDGE™

PART#: IA-N936H

BEFORE INSTALLATION

REMOVE CONTENTS FROM BOX. VERIFY ALL PARTS ARE PRESENT. READ INSTRUCTIONS CAREFULLY BEFORE STARTING INSTALLATION. ASSISTANCE IS RECOMMENDED. THANK YOU FOR CHOOSING OUR PRODUCT!

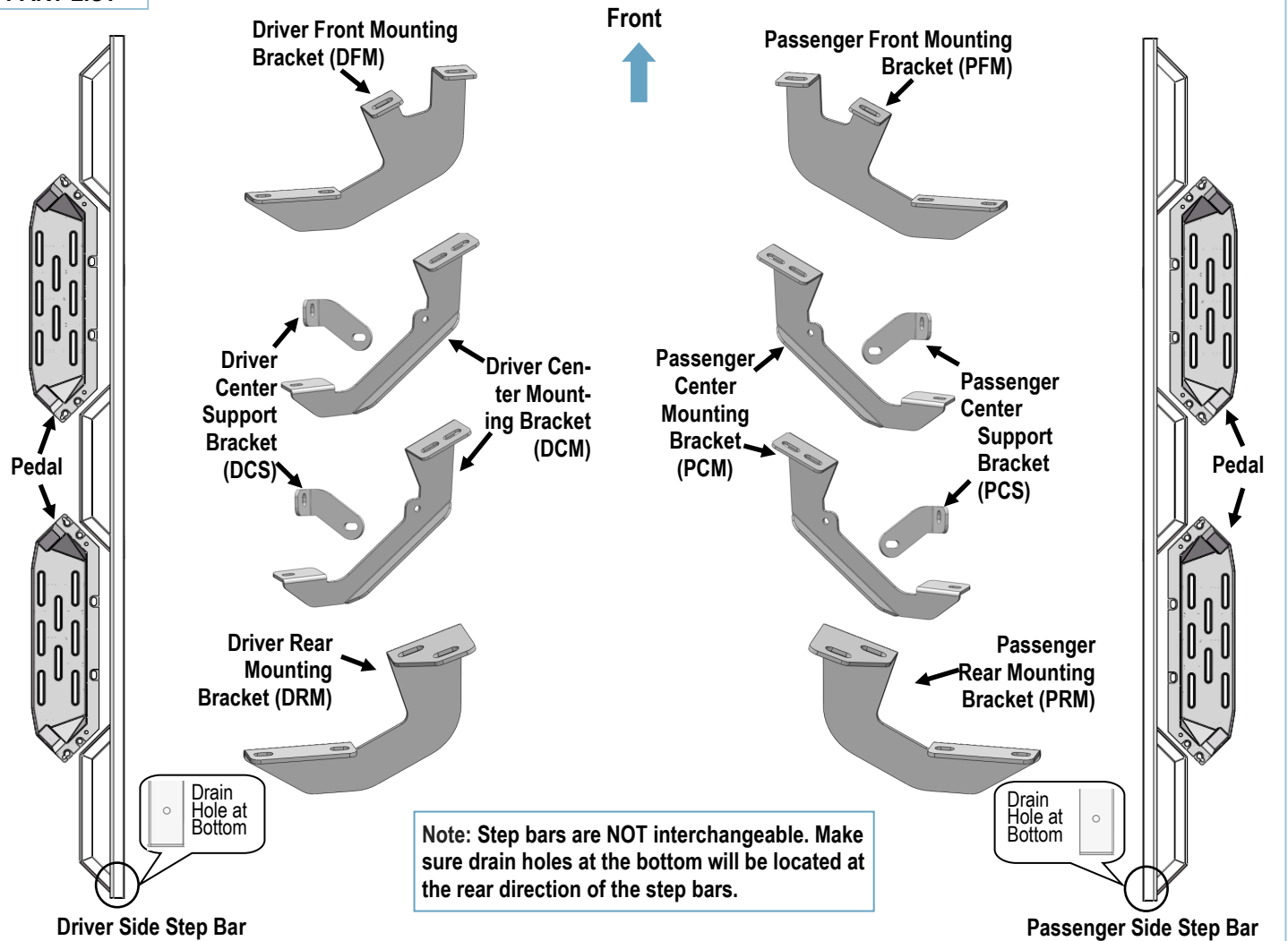
*ROCKER PANEL MOUNT

*DRILLING NOT REQUIRED

Torque Value

Fastener Size	Tightening Torque (ft-lbs)	Required
6mm	6-7	√
8mm	16-18	√
10mm	31-32	X
12mm	56-58	X
14mm	92-94	X

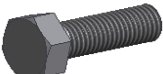
PART LIST

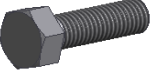



Customer Support: info@iarmorauto.com


iArmor®

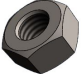
Hardware Package A (For Brackets & Bars Installation)					
Item	QTY	Description	Item	QTY	Description
1#	16	M8X1.25-30mm Hex Bolts	7#	4	M6 Large Flat Washers
2#	4	M8X1.25-25mm Hex Bolts	8#	4	M6X1 Nylon Lock Nuts
3#	36	M8 Large Flat Washers	9#	12	M8X1.25-20 T-Bolts
4#	20	M8 Lock Washers	10#	12	M8 Plastic Washers
5#	4	M8X1.25 Hex Nuts	11#	12	M8 Nylon Lock Nuts
6#	4	M6X1-20 Square Head Bolts			



1 #



2 #



3 #



4 #



5 #



6 #


7 #

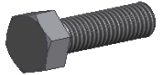

8 #



9 #



10 #


11 #

Hardware Package B (For Step Pedals Installation)					
Item	QTY	Description	Item	QTY	Description
1#	24	M8X1.25-25 Hex Bolts	3#	24	M8 Lock Washers
2#	24	M8 Large Flat Washers			


1 #


2 #


3 #

Customer Support: info@iarmorauto.com

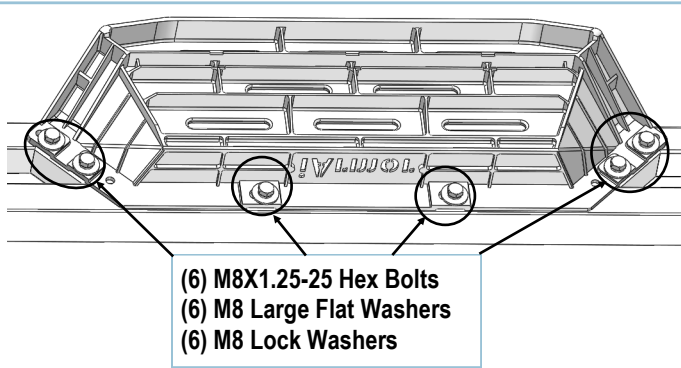
iArmor[®]

The instruction here is for your reference only. We strongly recommend the professional installer for best result. We are not responsible for any damage caused by the installation.

STEP 1

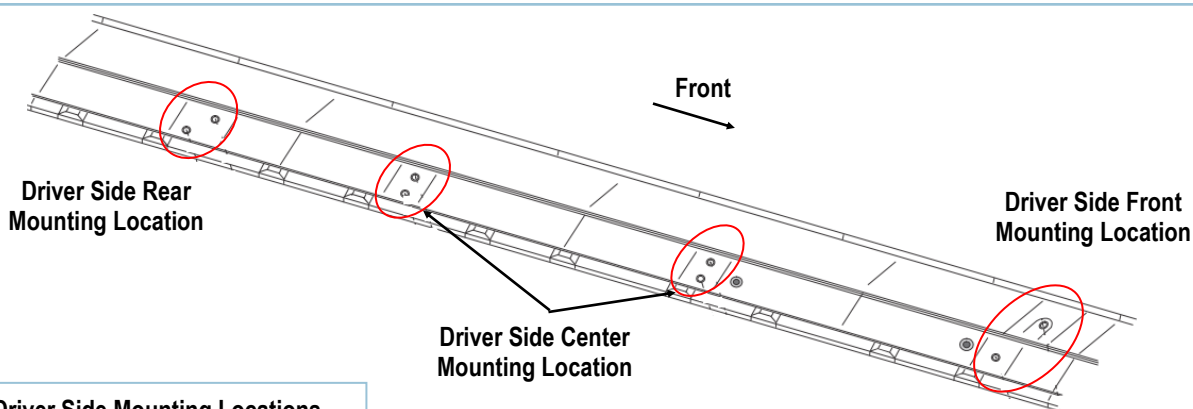
Install (4) Pedals onto the step bars with (24) M8X1.25-25mm Hex Bolts, (24) M8 Large Flat Washers and (24) M8 Lock Washers.

IMPORTANT: Don't punch the pedal with any metal hammer within pedal installation, or the pedal will be damaged.



STEP 2

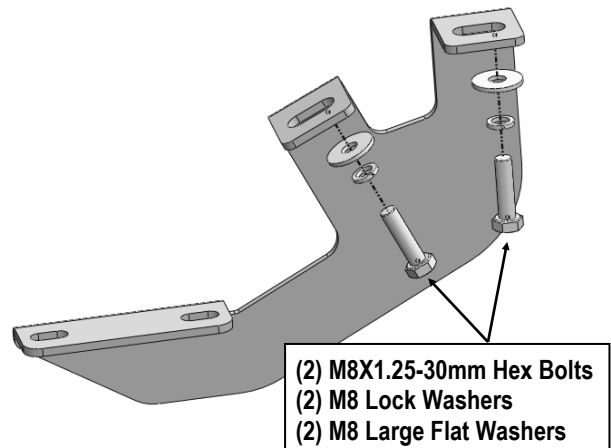
Start installation from the driver side of the vehicle. Identify the Driver Side Mounting Locations along the inner side of the rocker panel, (Fig 1). (2) factory threaded holes on each location.



(Fig 1) Driver Side Mounting Locations

STEP 3

Attach the driver side front mounting bracket (DFM) onto the mounting locations with (2) M8X1.25-30mm Hex Bolt, (2) M8 Lock Washers and (2) M8 Large Flat Washers for each mounting bracket, (Fig 2).

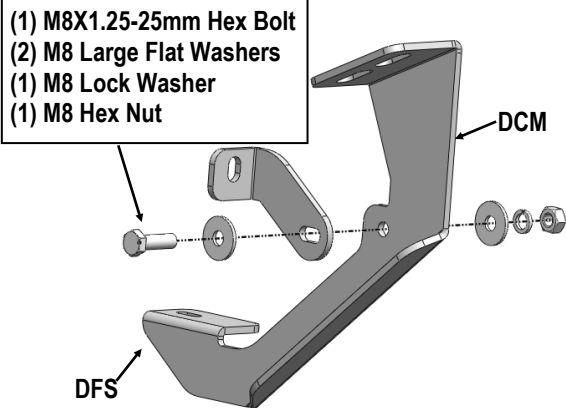


(Fig 2) Driver Front Mounting Bracket (DFM) Installation

iArmor®

STEP 4

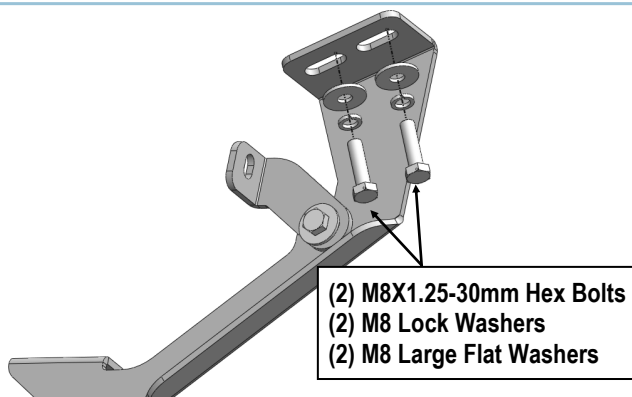
Assemble Driver Center Mounting Bracket (**DCM**) and Driver Center Support Bracket (**DCS**) with (1) M8X1.25-25mm Hex Bolt, (2) M8 Large Flat Washers, (1) M8 Lock Washer and (1) M8 Hex Nut, (**Fig 3**). Assemble the other **DCM** and **DCS** in the same way. Do not fully tighten hardware at this time.



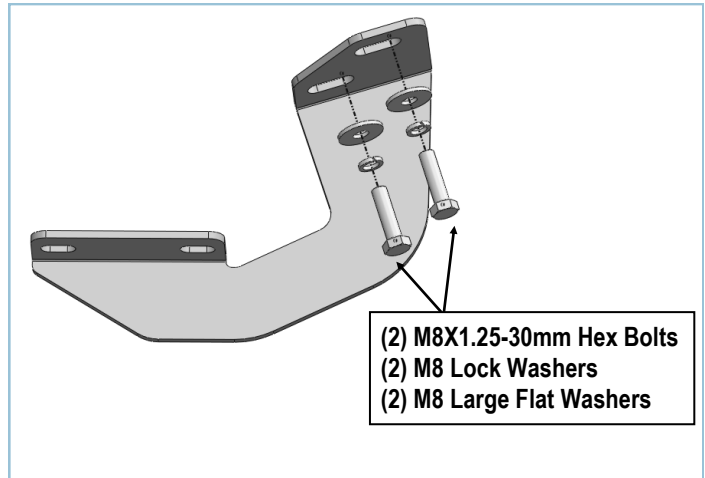
(Fig 3) Driver Center Mounting Brackets Assembly

STEP 5

Attach (2) Assembled Driver Side Center Mounting Brackets (**DCM**) and (1) Driver Rear Mounting Brackets (**DRM**) onto the mounting locations with (2) M8X1.25-30mm Hex Bolts, (2) M8 Lock Washers and (2) M8 Large Flat Washers for each mounting bracket, (**Fig 4 & Fig 5**). Do not fully tighten hardware at this time.



(Fig 4) Driver Center Mounting Brackets (DCM) Installation

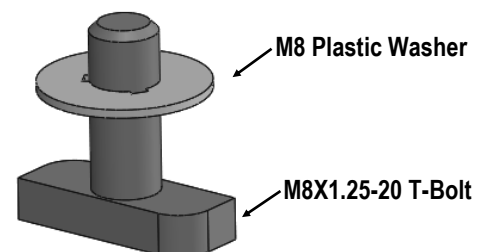


(Fig 5) Driver Rear Mounting Bracket (DRM) Installation

STEP 6

Once all (4) brackets have been installed, select (6) M8X1.25-20mm T-Bolts, thread (1) M8 Plastic Washer on each T-Bolt, (**Fig 6**). Install the (6) M8X1.25-20mm T-Bolts with plastic washers in the slots on the assembled Driver side step bar. Rotate the T-Bolts to 90 degree, thread down the M8 Plastic Washers against the step bar (**Fig 7**).

NOTE: The Plastic Washer is designed to keep the T-Bolt in place to avoid falling into the tube during installation.



(Fig 6) Thread (1) M8 Plastic Washer on each T-Bolt Before Inserting into the slot !!!

iArmor®

STEP 7

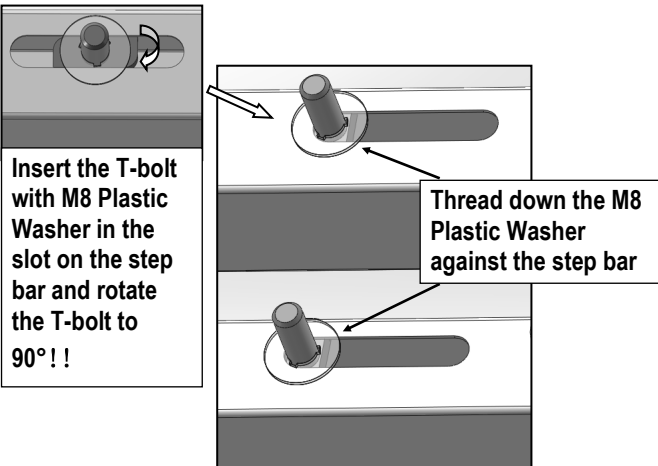
Attach the Assembled Driver Side Step Bar onto the Mounting Brackets with (6) M8 Plastic Washers, (6) M8X1.25-20mm T-Bolts, (6) M8 Large Flat Washers, (6) M8 Nylon Lock Nuts, (Fig 8). Do not fully tighten hardware at this time.

NOTE: Driver Center Mounting Brackets are located under pedals. Slide (2) M6X1-20mm Square Head Bolts into the channels at the bottom of pedals (Fig 9). And secure the Driver Center Mounting Brackets to the pedals with (2) M6 Large Flat Washers and (2) M6 Nylon Lock Nuts, (Fig 8). Do not fully tighten hardware at this time.

STEP 8

Level and adjust the assembled Step Bar properly and tighten all hardware.

Move to the other side of the vehicle. Repeat **Steps 2-7** for the other Side Step Bar installation.

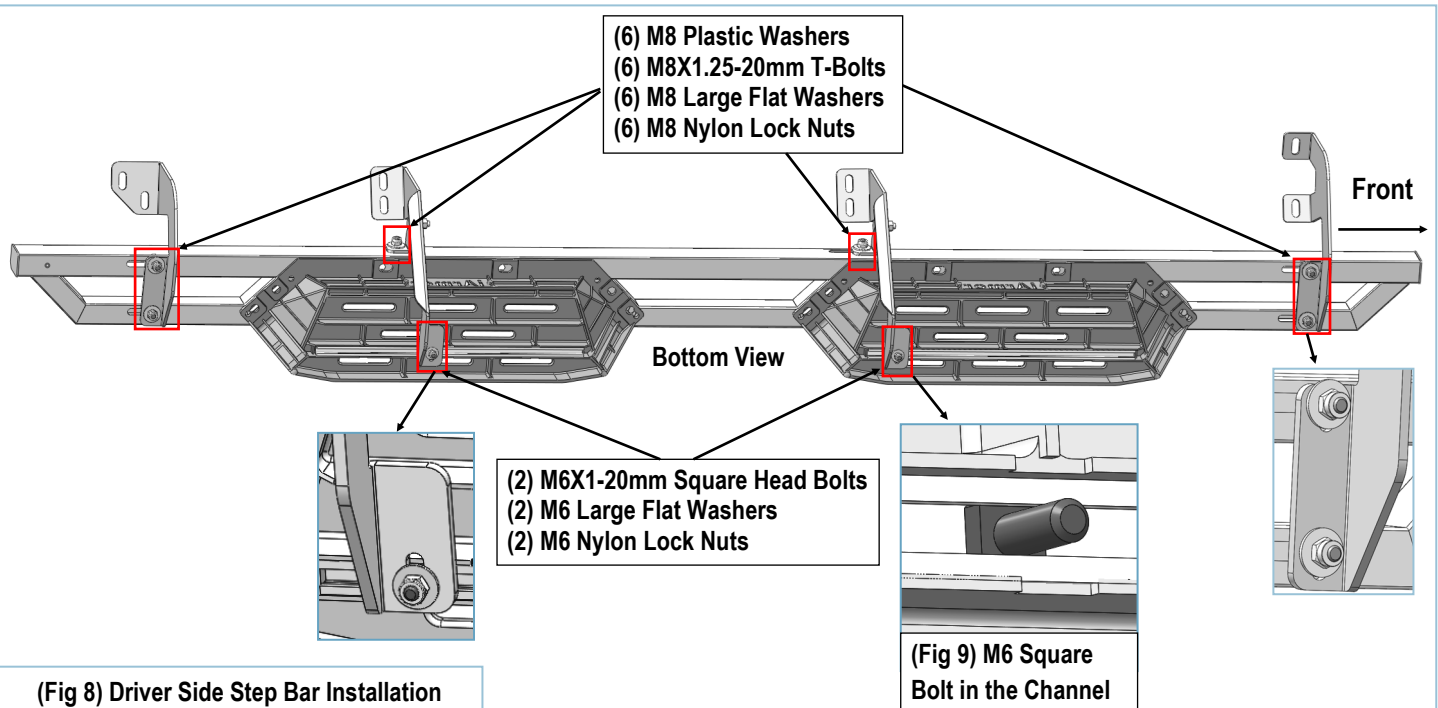


(Fig 7) T-Bolt with plastic washer in the slot

Attention

Do periodic inspections to the installation to make sure that all hardware is secure and tight.

In order to protect your bars/boards, please use mild soap/non-abrasive products for cleaning only.



Customer Support: info@iarmorauto.com