

# iArmor®

## IARMOR EDGE™

PART#: IA-N280H

### BEFORE INSTALLATION

REMOVE CONTENTS FROM BOX. VERIFY ALL PARTS ARE PRESENT. READ INSTRUCTIONS CAREFULLY BEFORE STARTING INSTALLATION. ASSISTANCE IS RECOMMENDED. THANK YOU FOR CHOOSING OUR PRODUCT!

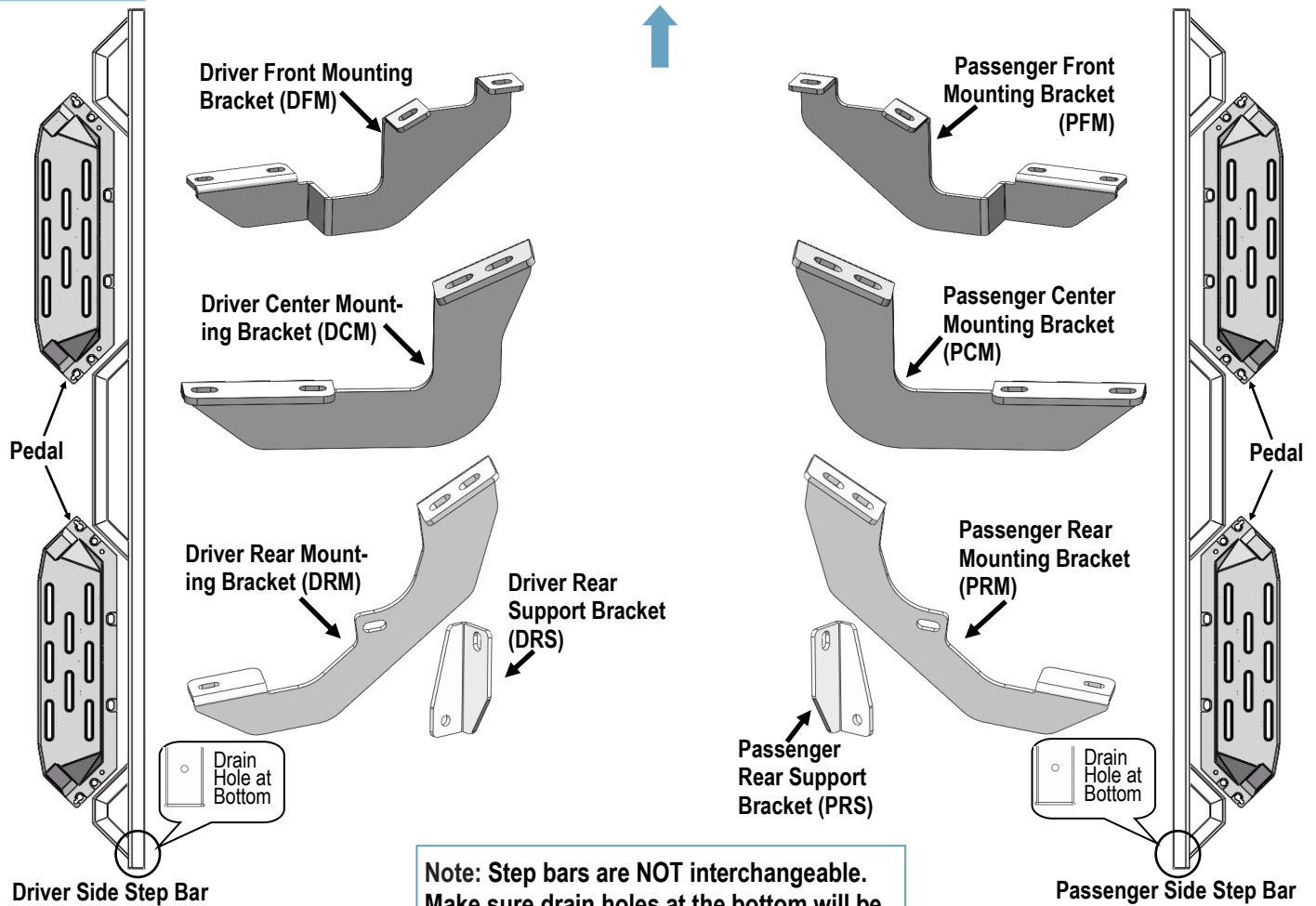
\*ROCKER PANEL MOUNT

\*DRILLING NOT REQUIRED

### Torque Value

Fastener Size	Tightening Torque (ft-lbs)	Required
6mm	6-7	√
8mm	16-18	√
10mm	31-32	X
12mm	56-58	X
14mm	92-94	X

### PART LIST

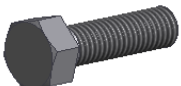



Note: Step bars are NOT interchangeable. Make sure drain holes at the bottom will be located at the rear direction of the step bars.


Customer Support: [info@iarmorauto.com](mailto:info@iarmorauto.com)

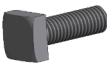
# iArmor<sup>®</sup>


Hardware Package A (For Brackets & Bars Installation)					
Item	QTY	Description	Item	QTY	Description
1#	12	M8X1.25-30 Hex Bolts	6#	2	M6X1 Nylon Lock Nuts
2#	22	M8 Large Flat Washers	7#	10	M8X1.25-20 T Bolts
3#	12	M8 Lock Washers	8#	10	M8 Plastic Washers
4#	2	M6X1-20 Square Bolts	9#	10	M8 Nylon Lock Nuts
5#	2	M6 Large Flat Washers			


  
1 #


  
2 #

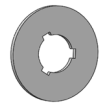
  
3 #


  
4 #

  
5 #

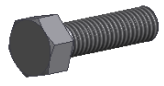
  
6 #


  
7 #


  
8 #

  
9 #

Hardware Package B (For Step Pedals Installation)					
Item	QTY	Description	Item	QTY	Description
1#	24	M8X1.25-25 Hex Bolts	3#	24	M8 Lock Washers
2#	24	M8 Large Flat Washers			

  
1#

  
2#

  
3#

Customer Support: [info@iarmorauto.com](mailto:info@iarmorauto.com)

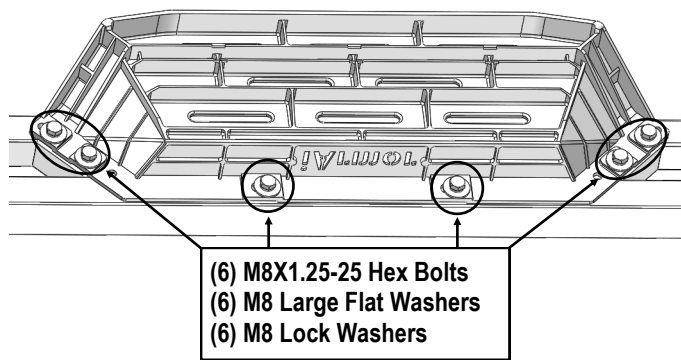
# iArmor®

The instruction here is for your reference only. We strongly recommend the professional installer for best result. We are not responsible for any damage caused by the installation.

## STEP 1

Install (4) Pedals onto the step bars with (24) M8X1.25-25mm Hex Bolts, (24) M8 Large Flat Washers and (24) M8 Lock Washers.

**IMPORTANT:** Don't punch the pedal with any metal hammer within pedal installation, or the pedal will be damaged.



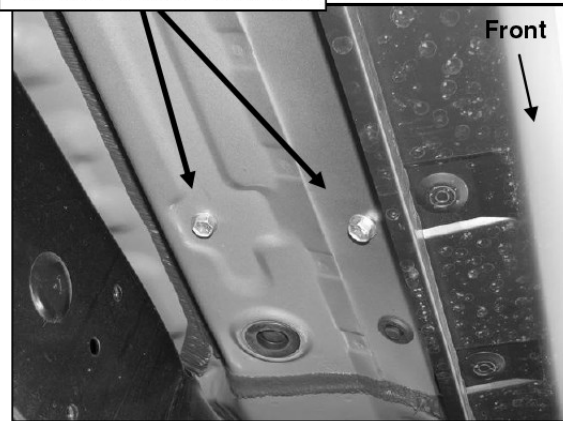
## STEP 2

Start installation on the passenger side of the vehicle, remove the existing (2) factory bolts located by the front tire opening securing the factory rocker panel bracket to the vehicle, (Fig 1). Select (1) Passenger Front Mounting Bracket (PFM). Hold the Passenger Front Mounting Bracket over the rocker panel bracket and line up the (2) mounting holes. Secure the brackets to the vehicle using the included (2) M8X1.25-30 Hex Bolts, (2) M8 Lock Washers and (2) M8 Large Flat Washers, (Fig 2). Do not tighten hardware at this time.

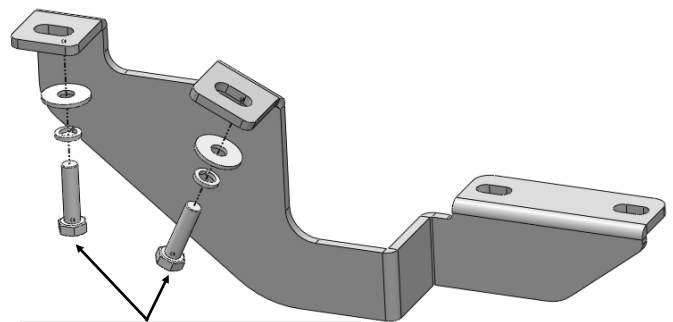
## STEP 3

Move to the passenger side center mounting location, (Fig 3). Repeat **Step 2** to install the Passenger Center Mounting Bracket (PCM), (Fig 4). Do not fully tighten hardware at this time.

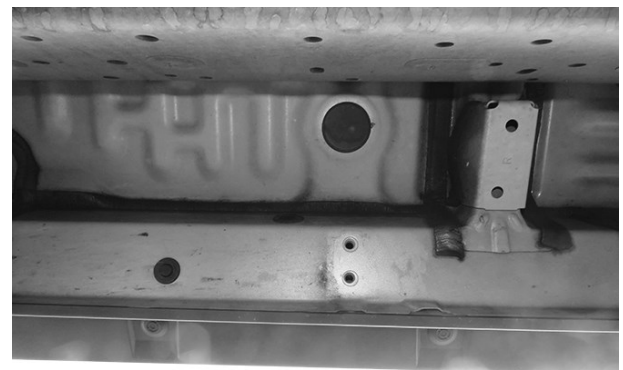
Remove factory hex bolts



(Fig 1) Passenger Side Front Mounting Location

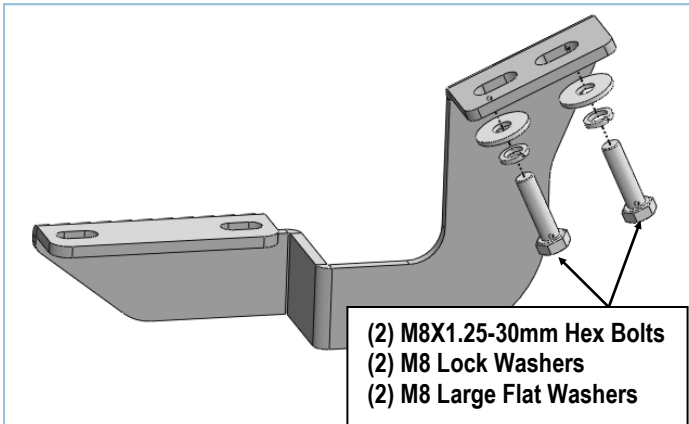


(Fig 2) Passenger Front Mounting Bracket Installation

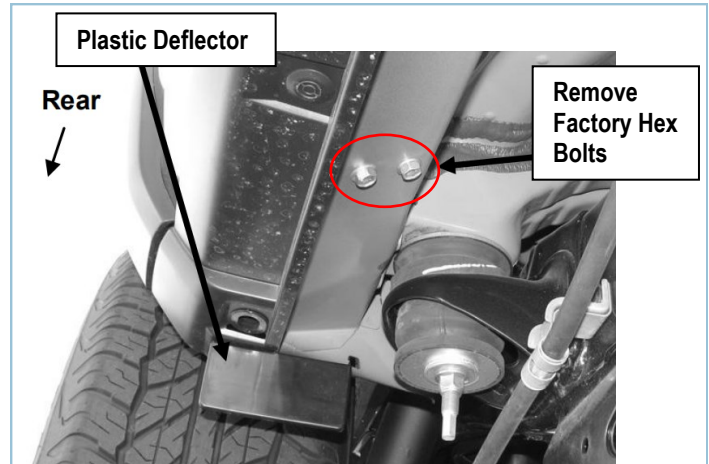


(Fig 3) Passenger Center Mounting Bracket Location

# iArmor®



(Fig 4) Passenger Center Mounting Bracket Installation

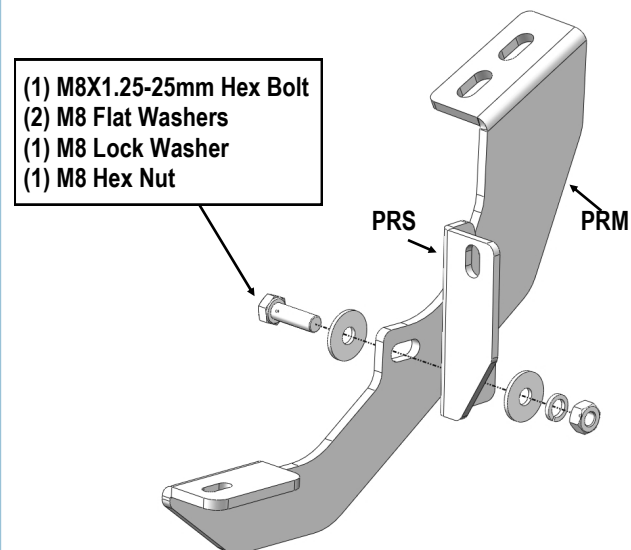


(Fig 6) Passenger Rear Mounting Bracket Installation

## STEP 4

Assemble (1) Passenger Rear Mounting Bracket (**PRM**) and (1) Passenger Rear Support Bracket (**PRS**) with (1) M8X1.25-25mm Hex Bolt, (1) M8 Lock Washer, (2) M8 Flat Washers and (1) M8 Hex Nut, (**Fig 5**).

Move to the passenger side center mounting location, (**Fig 6**). Repeat **STEP 3** to install the passenger side rear mounting bracket. Do not fully tighten hardware at this time.

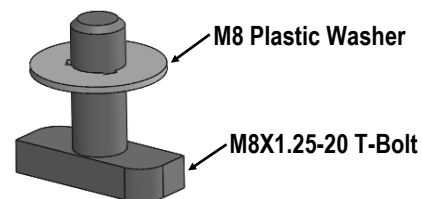


(Fig 5) Passenger Side Rear Brackets Assembly

## STEP 5

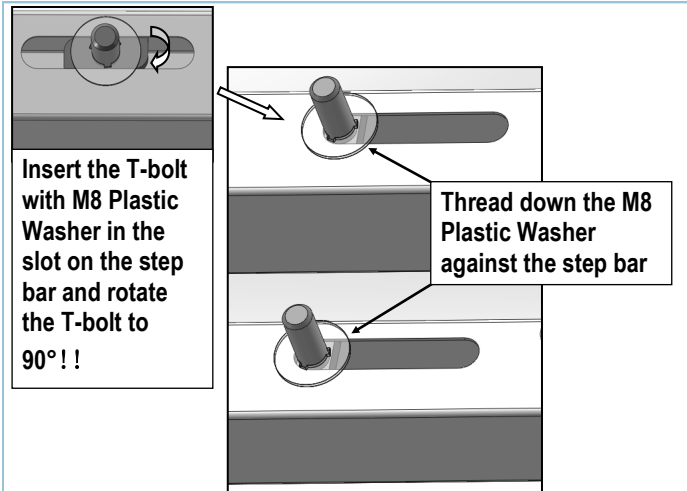
Once all (3) brackets have been installed, select (5) M8X1.25-20mm T-Bolts, thread (1) M8 Plastic Washer on each T-Bolt, (**Fig 7**). Install the (5) M8X1.25-20mm T-Bolts with plastic washers in the slots on the assembled step bar. Rotate the T-Bolts to 90 degree, thread down the M8 Plastic Washers against the step bar (**Fig 8**).

**NOTE:** The Plastic Washer is designed to keep the T-Bolt in place to avoid falling into the tube during installation.



(Fig 7) Thread (1) M8 Plastic Washer on each T-Bolt Before Inserting into the slot !!!

# iArmor®



(Fig 8) T-Bolt with plastic washer in the slot

## STEP 6

Attach the Assembled Passenger Side Step Bar onto the Mounting Brackets with (5) M8 Plastic Washers, (5) M8X1.25-20mm T-Bolts, (5) M8 Large Flat Washers, (5) M8 Nylon Lock Nuts, (Fig 9). Do not fully tighten hardware at this time.

**NOTE:** Passenger Rear Mounting Bracket is located under the rear pedal. Slide (1) M6X1-20mm Square Head Bolt into the channel at the bottom of the rear pedal (Fig 10). And secure the Driver Rear Mounting Bracket to the pedal with (1) M6 Large Flat Washer and (1) M6 Nylon Lock Nut, (Fig 9). Do not fully tighten hardware at this time.

## STEP 7

Level and adjust the assembled Step Bar properly and tighten all hardware.

Move to the other side of the vehicle. Repeat **Steps 2-6** for the other Side Step Bar installation.

### Attention

**Do periodic inspections to the installation to make sure that all hardware is secure and tight.**

**In order to protect your bars/boards, please use mild soap/non-abrasive products for cleaning only.**

# iArmor<sup>®</sup>

