

iArmor®

IARMOR EDGE™

PART#: IA-N095H

BEFORE INSTALLATION

REMOVE CONTENTS FROM BOX. VERIFY ALL PARTS ARE PRESENT. READ INSTRUCTIONS CAREFULLY BEFORE STARTING INSTALLATION. ASSISTANCE IS RECOMMENDED. THANK YOU FOR CHOOSING OUR PRODUCT!

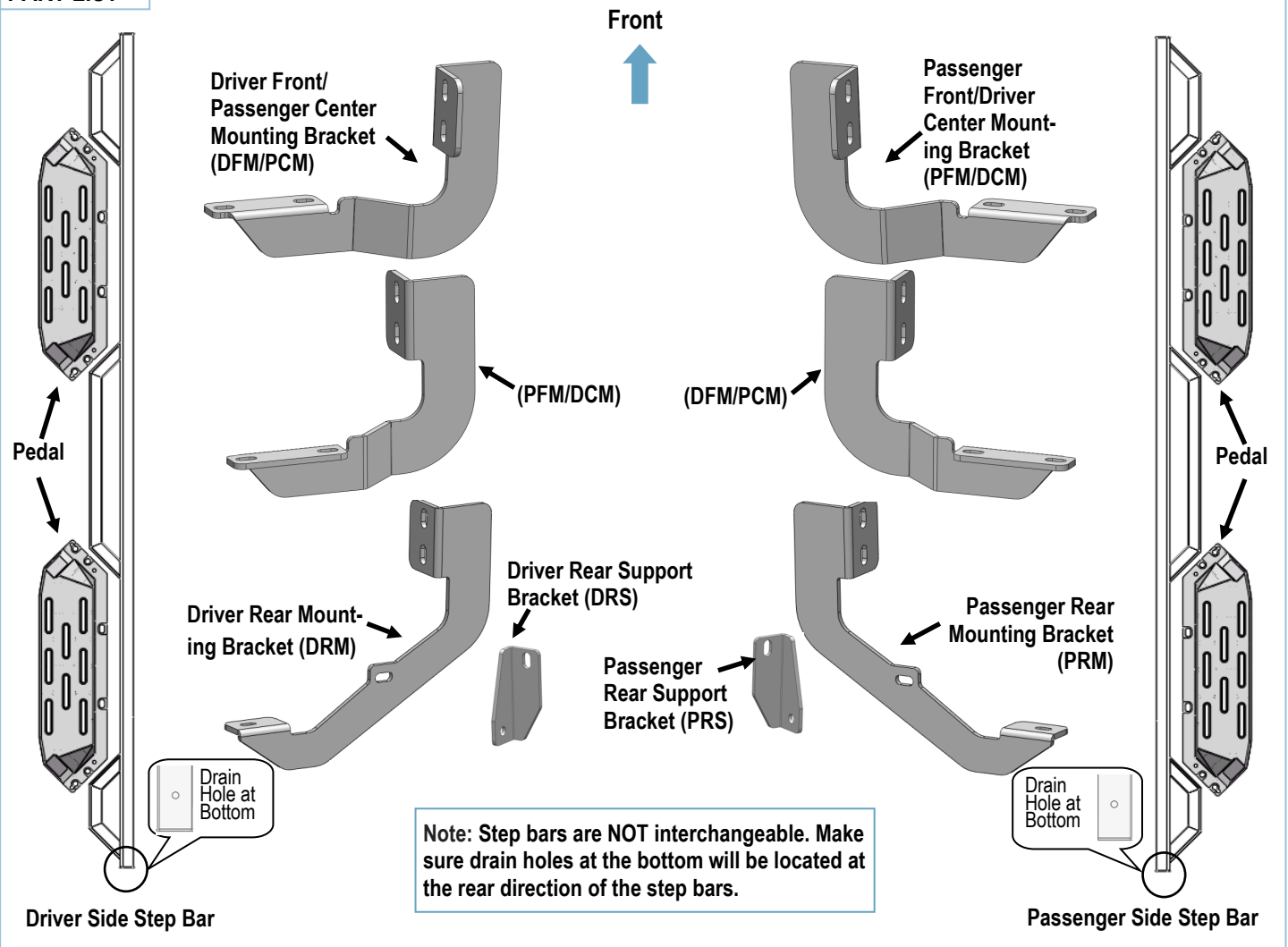
*ROCKER PANEL MOUNT

*DRILLING NOT REQUIRED

Torque Value

Fastener Size	Tightening Torque (ft-lbs)	Required
6mm	6-7	√
8mm	16-18	√
10mm	31-32	X
12mm	56-58	X
14mm	92-94	X

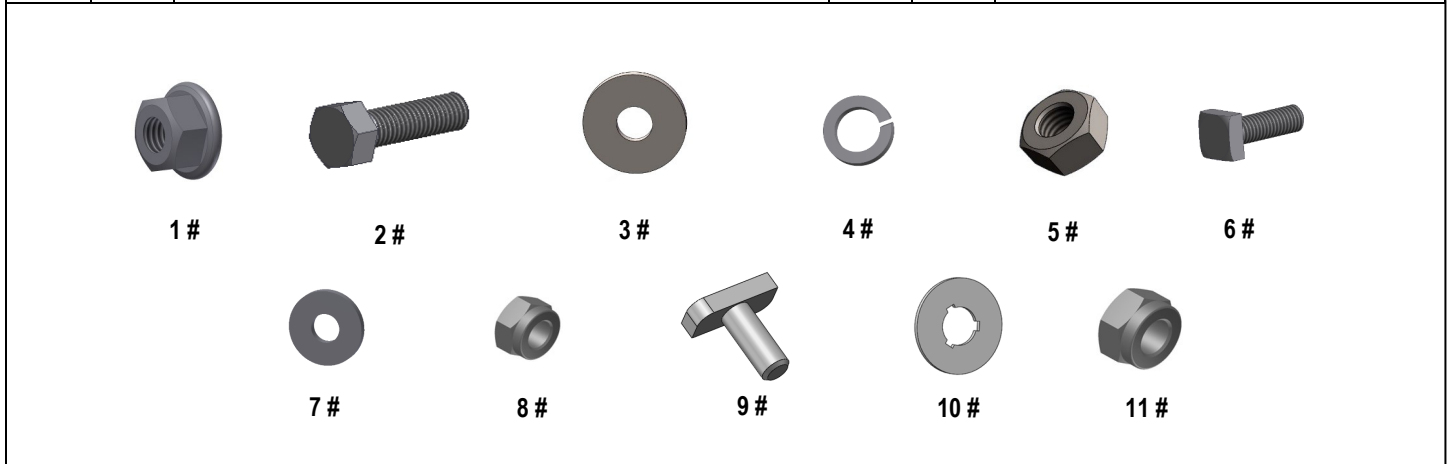
PART LIST



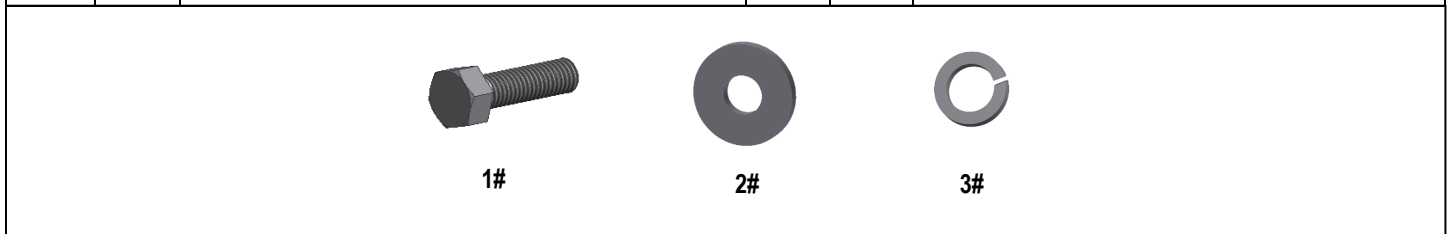
Customer Support: info@iarmorauto.com

iArmor®

Hardware Package A (For Brackets & Bars Installation)					
Item	QTY	Description	Item	QTY	Description
1#	12	M8 Hex Flange Nuts	7#	2	M6 Large Flat Washers
2#	2	M8X1.25-25 Hex Bolts	8#	2	M6 Nylon Lock Nuts
3#	14	M8 Large Flat Washers	9#	10	M8X1.25-20 T-Bolts
4#	2	M8 Lock Washers	10#	10	M8 Plastic Washers
5#	2	M8 Hex Nuts	11#	10	M8 Nylon Lock Nuts
6#	2	M6X1-20 Square Head Bolts			



Hardware Package B (For Step Pedals Installation)					
Item	QTY	Description	Item	QTY	Description
1#	24	M8X1.25-25 Hex Bolts	3#	24	M8 Lock Washers
2#	24	M8 Large Flat Washers			



Customer Support: info@iarmorauto.com

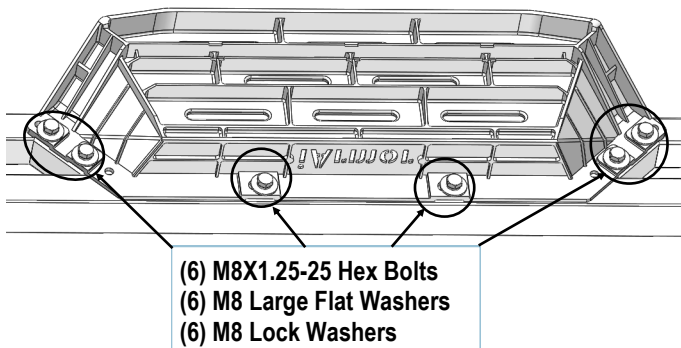
iArmor®

The instruction here is for your reference only. We strongly recommend the professional installer for best result. We are not responsible for any damage caused by the installation.

STEP 1

Install (4) Pedals onto the step bars with (24) M8X1.25-25mm Hex Bolts, (24) M8 Large Flat Washers and (24) M8 Lock Washers.

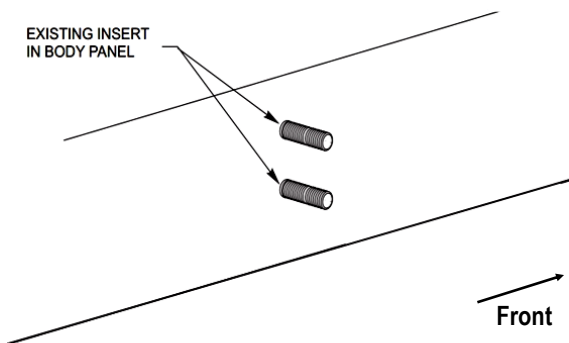
IMPORTANT: Don't punch the pedal with any metal hammer within pedal installation, or the pedal will be damaged.



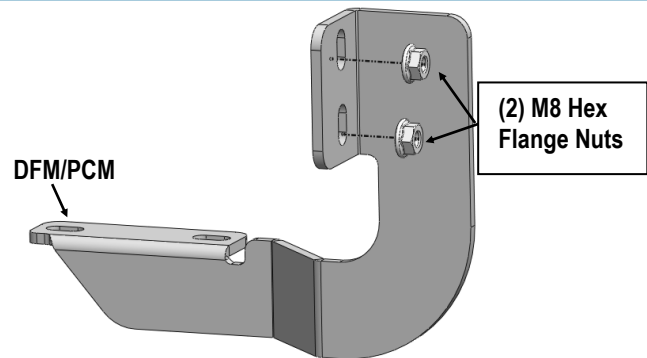
STEP 2

Start the installation from the driver side front of the vehicle, (Fig 1). Attach (1) Driver Front Mounting Bracket (DFM/PCM), to the (2) factory studs with (2) M8 Hex Flange Nuts, (Fig 2). Do not fully tighten hardware at this time.

EXISTING INSERT
IN BODY PANEL



(Fig 1) Driver Side Front Mounting Location



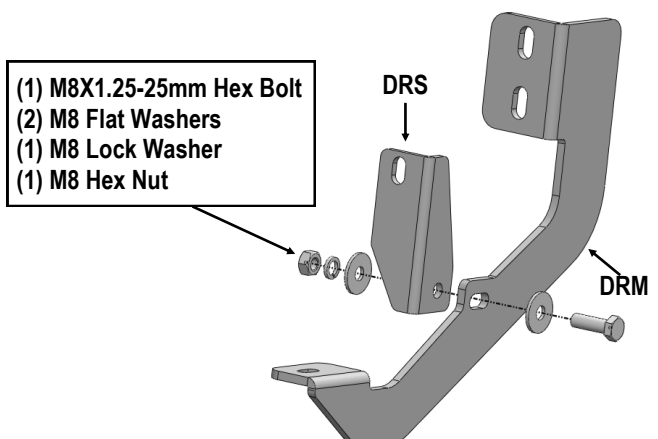
(Fig 2) Driver Front Mounting Bracket Installation

STEP 3

Move to the Driver Side Center Mounting Location, repeat **STEP 2** to install the Driver Center Mounting Bracket (DCM/PFM) to the (2) factory studs with (2) M8 Hex Flange Nuts. Do not fully tighten hardware at this time.

STEP 4

Assemble (1) Driver Rear Mounting Bracket (DRM) and (1) Driver Rear Support Bracket (DRS) with (1) M8X1.25-25mm Hex Bolt, (1) M8 Lock Washer, (2) M8 Flat Washers and (1) M8 Hex Nut, (Fig 3). Repeat **STEP 2** to install the driver side rear mounting bracket. Do not fully tighten hardware at this time.



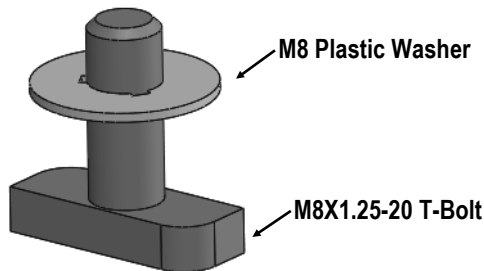
(Fig 3) Driver Side Rear Brackets Assembly

iArmor®

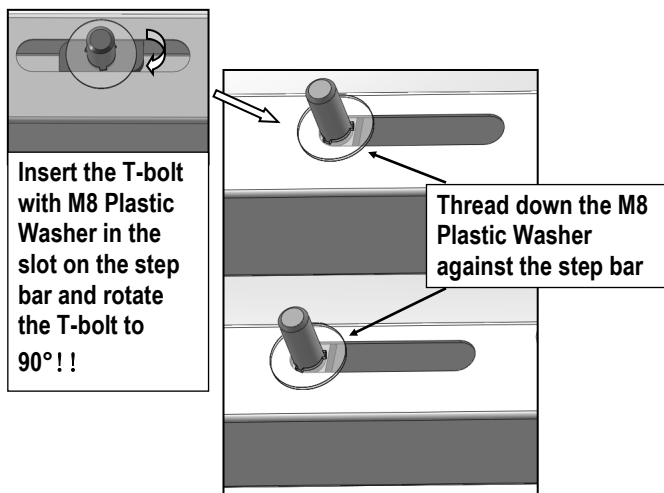
STEP 5

Once all (3) brackets have been installed, select (5) M8X1.25-20mm T-Bolts, thread (1) M8 Plastic Washer on each T-Bolt, (Fig 4). Install the (5) M8X1.25-20mm T-Bolts with plastic washers in the slots on the assembled Driver side step bar. Rotate the T-Bolts to 90 degree, thread down the M8 Plastic Washers against the step bar (Fig 5).

NOTE: The Plastic Washer is designed to keep the T-Bolt in place to avoid falling into the tube during installation.



(Fig 4) Thread (1) M8 Plastic Washer on each T-Bolt Before Inserting into the slot !!!



(Fig 5) T-Bolt with plastic washer in the slot

STEP 6

Attach the Assembled Driver Side Step Bar onto the Mounting Brackets with (5) M8 Plastic Washers, (5) M8X1.25-20mm T-Bolts, (5) M8 Large Flat Washers, (5) M8 Nylon Lock Nuts, (Fig 6). Do not fully tighten hardware at this time.

NOTE: Driver Rear Mounting Bracket is located under the rear pedal. Slide (1) M6X1-20mm Square Head Bolt into the channel at the bottom of the rear pedal (Fig 7). And secure the Driver Rear Mounting Bracket to the pedal with (1) M6 Large Flat Washer and (1) M6 Nylon Lock Nut, (Fig 6). Do not fully tighten hardware at this time.

STEP 7

Level and adjust the assembled Step Bar properly and tighten all hardware.

Move to the other side of the vehicle. Repeat **Steps 2-6** for the other Side Step Bar installation.

Attention

Do periodic inspections to the installation to make sure that all hardware is secure and tight.

In order to protect your bars/boards, please use mild soap/non-abrasive products for cleaning only.

iArmor[®]

