

iArmor®

IARMOR EDGE™

PART#: IA-N277H

BEFORE INSTALLATION

REMOVE CONTENTS FROM BOX. VERIFY ALL PARTS ARE PRESENT. READ INSTRUCTIONS CAREFULLY BEFORE STARTING INSTALLATION. ASSISTANCE IS RECOMMENDED. THANK YOU FOR CHOOSING OUR PRODUCT!

*ROCKER PANEL MOUNT

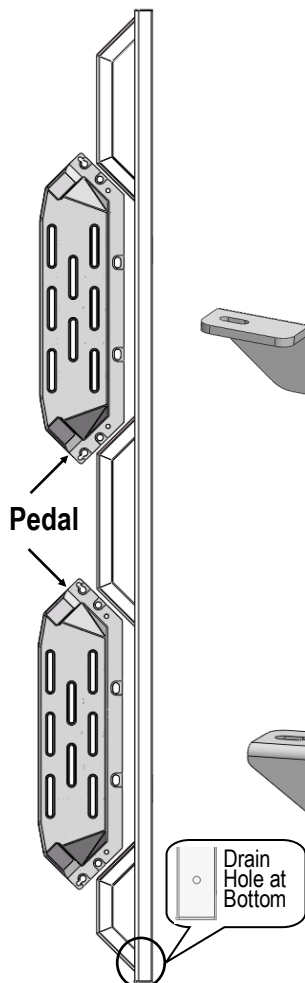
*DRILLING NOT REQUIRED

Torque Value

Fastener Size	Tightening Torque (ft-lbs)	Required
6mm	6-7	√
8mm	16-18	√
10mm	31-32	√
12mm	56-58	X
14mm	92-94	X

PART LIST

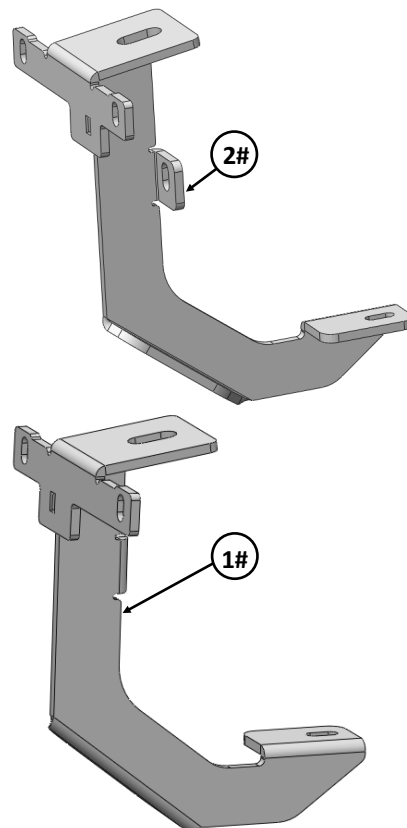
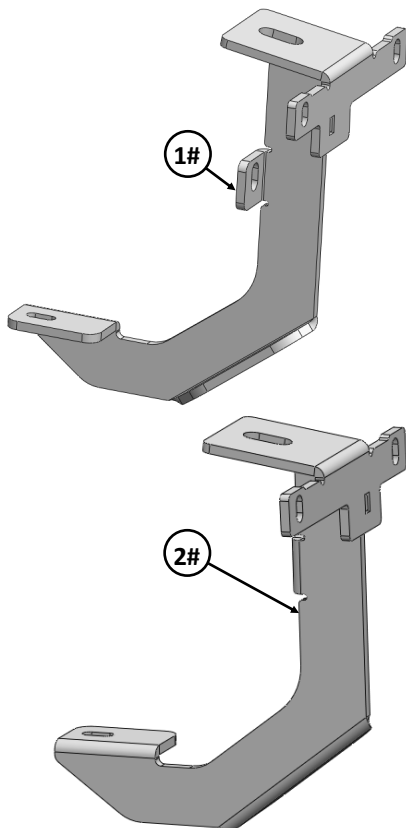
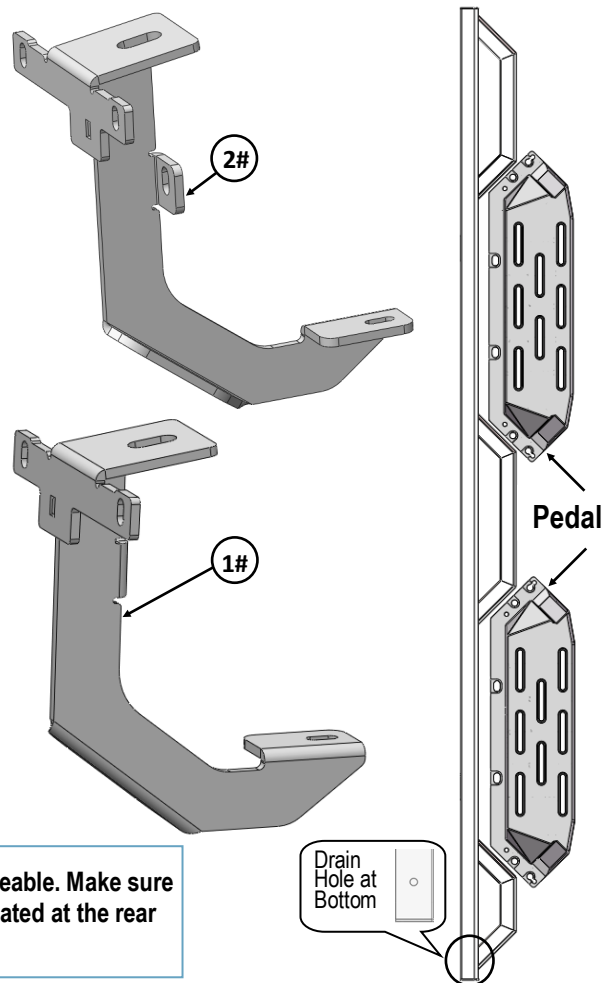
Driver Side Step Bar



Front



Passenger Side Step Bar

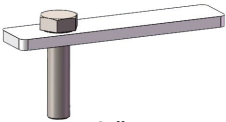



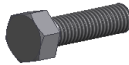


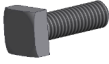






Note: Step bars are NOT interchangeable. Make sure drain holes at the bottom will be located at the rear direction of the step bars.

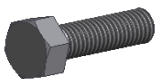


Customer Support: info@iarmorauto.com

iArmor®

Hardware Package A (For Brackets & Bars Installation)					
Item	QTY	Description	Item	QTY	Description
1#	2	Driver Front / Passenger Rear Mounting Brackets	8#	20	M6 Large Flat Washers
2#	2	Passenger Front / Driver Rear Mounting Brackets	9#	12	M6 Nylon Lock Nuts
3#	4	M10 Bolt Plates	10#	4	M6X1-20 Square Head Bolts
4#	4	M10 Plastic Washers	11#	4	M8X1.25-20 T-Bolts
5#	4	M10 Large Flat Washers	12#	4	M8 Plastic Washers
6#	4	M10X1.5 Hex Flange Nuts	13#	4	M8 Large Flat Washers
7#	8	M6X1-25 Hex Bolts	14#	4	M8 Nylon Lock Nuts

					
3 #	4 #	5 #	6 #	7 #	8 #
					
9 #	10 #	11 #	12 #	13 #	14 #

Hardware Package B (For Step Pedals Installation)					
Item	QTY	Description	Item	QTY	Description
1#	24	M8X1.25-25 Hex Bolts	3#	24	M8 Lock Washers
2#	24	M8 Large Flat Washers			

		
1#	2#	3#

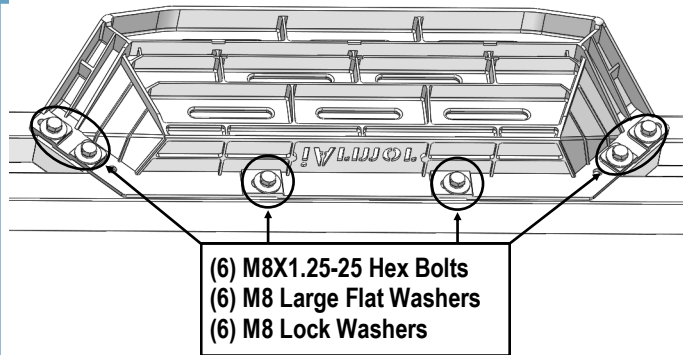
iArmor[®]

The instruction here is for your reference only. We strongly recommend the professional installer for best result. We are not responsible for any damage caused by the installation.

STEP 1

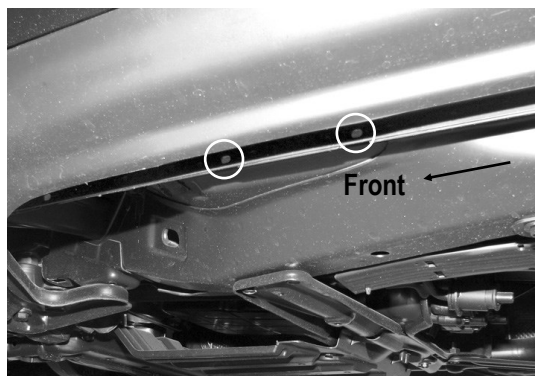
Install (4) Pedals onto the step bars with (24) M8X1.25-25mm Hex Bolts, (24) M8 Large Flat Washers and (24) M8 Lock Washers.

IMPORTANT: Don't punch the pedal with any metal hammer within pedal installation, or the pedal will be damaged.



STEP 2

Start from the passenger side front of the vehicle, locate (2) small holes on the pinch weld, (Fig 1). Remove the rubber plugs filling the oval hole on the bottom of the rocker panel directly in front of the (2) holes, (Fig 2).



(Fig 1) Passenger Side Front Mounting Location on Pinch Weld



(Fig 2) Passenger Side Front Mounting Location on Rocker Panel

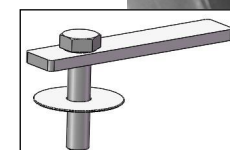
STEP 3

Select (1) M10 Bolt Plate and (1) M10 Plastic Washer. Insert the Bolt Plate into the oval hole and rotate 90-degrees to the slot, (Fig 3). (Insert Bolt Plate then rotate 90-degrees or until it stopped for proper installation.) Thread the M10 Plastic Washer onto the Bolt Plate, thread down until it is tight against the body panel, (Fig 4).

NOTE: The Plastic washer is designed to hold the M10 Bolt Plate in position during Bracket installation.



(Fig 3) Insert The M10 Bolt Plate



M10 Bolt Plate With Plastic Washer



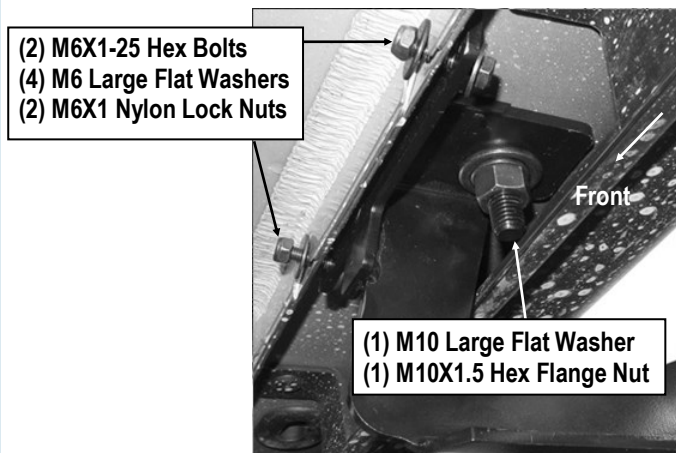
(Fig 4) Thread The Plastic Washer On The Bolt Plate

iArmor®

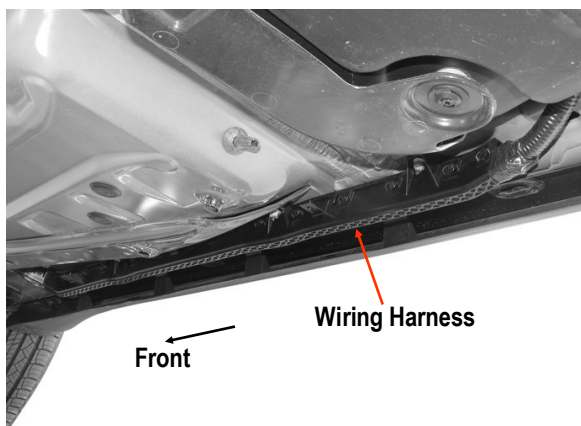
STEP 4

Attach (1) Passenger Front Mounting Bracket to the installed M10 Bolt Plate with (1) M10 Large Flat Washer and (1) M10X1.5 Hex Flange Nut, (**Fig 5**). Next, bolt the Bracket to the pinch weld with (2) M6X1-25 Hex Bolts, (4) M6 Large Flat Washers and (2) M6X1 Nylon Lock Nuts, (**Fig 5**).

IMPORTANT: The passenger side of the vehicle may have a wiring harness attached behind the pinch weld, (**Fig 6**). Remove the hex nuts and drop the harness down before installing the Brackets. Install M6 Hex Bolts from the inside, then through the Bracket to clear the harness. Snug but do not fully tighten hardware at this time.



(Fig 5) Passenger Front Mounting Bracket Installation



(Fig 6) Passenger Side Wiring Harness

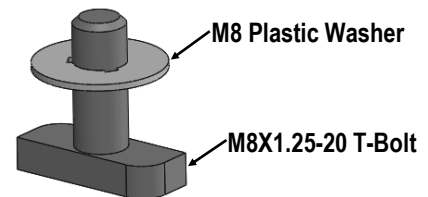
STEP 5

Move to the passenger side rear of the vehicle, repeat **Steps 2-4** to install the Passenger Rear Mounting Bracket. Do not fully tighten hardware at this time.

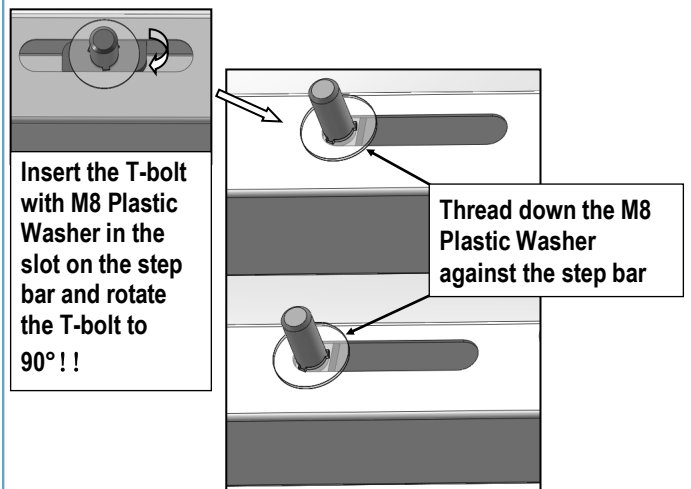
STEP 6

Once all (2) brackets have been installed, select (2) M8X1.25-20mm T-Bolts, thread (1) M8 Plastic Washer on each T-Bolt, (**Fig 7**). Install the (2) M8X1.25-20mm T-Bolts with plastic washers in the slots on the assembled Passenger side step bar. Rotate the T-Bolts to 90 degree, thread down the M8 Plastic Washers against the step bar (**Fig 8**).

NOTE: The Plastic Washer is designed to keep the T-Bolt in place to avoid falling into the tube during installation.



(Fig 7) Thread (1) M8 Plastic Washer on each T-Bolt Before Inserting into the slot !!!



(Fig 8) T-Bolt with plastic washer in the slot

iArmor®

STEP 7

Attach the Assembled Passenger Side Step Bar onto the Mounting Brackets with (2) M8 Plastic Washers, (2) M8X1.25-20mm T-Bolts, (2) M8 Large Flat Washers, (2) M8 Nylon Lock Nuts, (Fig 9). Do not fully tighten hardware at this time.

NOTE: Passenger Front & Rear Mounting Brackets are located under (2) pedals. Slide (2) M6X1-20mm Square Head Bolts into the channels at the bottom of pedals (Fig 10). And secure the Passenger Front & Rear Mounting Brackets to the pedals with (2) M6 Large Flat Washers and (2) M6 Nylon Lock Nuts, (Fig 9). Do not fully tighten hardware at this time.

STEP 8

Level and adjust the assembled Step Bar properly and tighten all hardware.

Move to the other side of the vehicle. Repeat **Steps 2-7** to install the other side step bar.

Attention

Do periodic inspections to the installation to make sure that all hardware is secure and tight.

In order to protect your bars/boards, please use mild soap/non-abrasive products for cleaning only.

(Fig 9) Passenger Side Step Bar Installation

