

# iArmor®

## IARMOR EDGE™

PART#: IA-N941H

### BEFORE INSTALLATION

REMOVE CONTENTS FROM BOX. VERIFY ALL PARTS ARE PRESENT. READ INSTRUCTIONS CAREFULLY BEFORE STARTING INSTALLATION. ASSISTANCE IS RECOMMENDED. THANK YOU FOR CHOOSING OUR PRODUCT!

\*ROCKER PANEL MOUNT

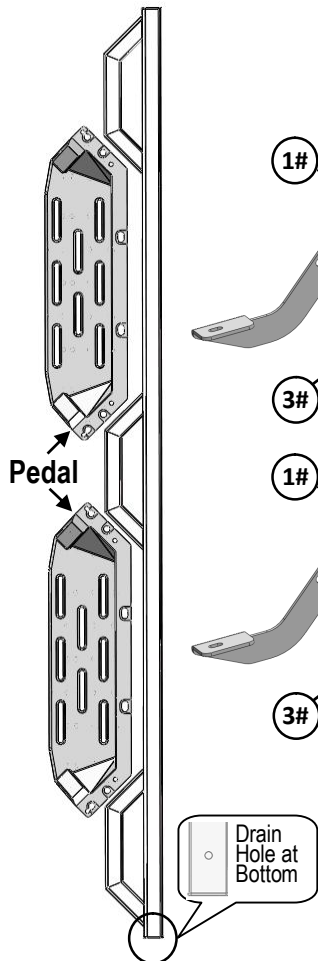
\*DRILLING NOT REQUIRED

### Torque Value

Fastener Size	Tightening Torque (ft-lbs)	Required
6mm	6-7	√
8mm	16-18	√
10mm	31-32	X
12mm	56-58	X
14mm	92-94	X

### PART LIST

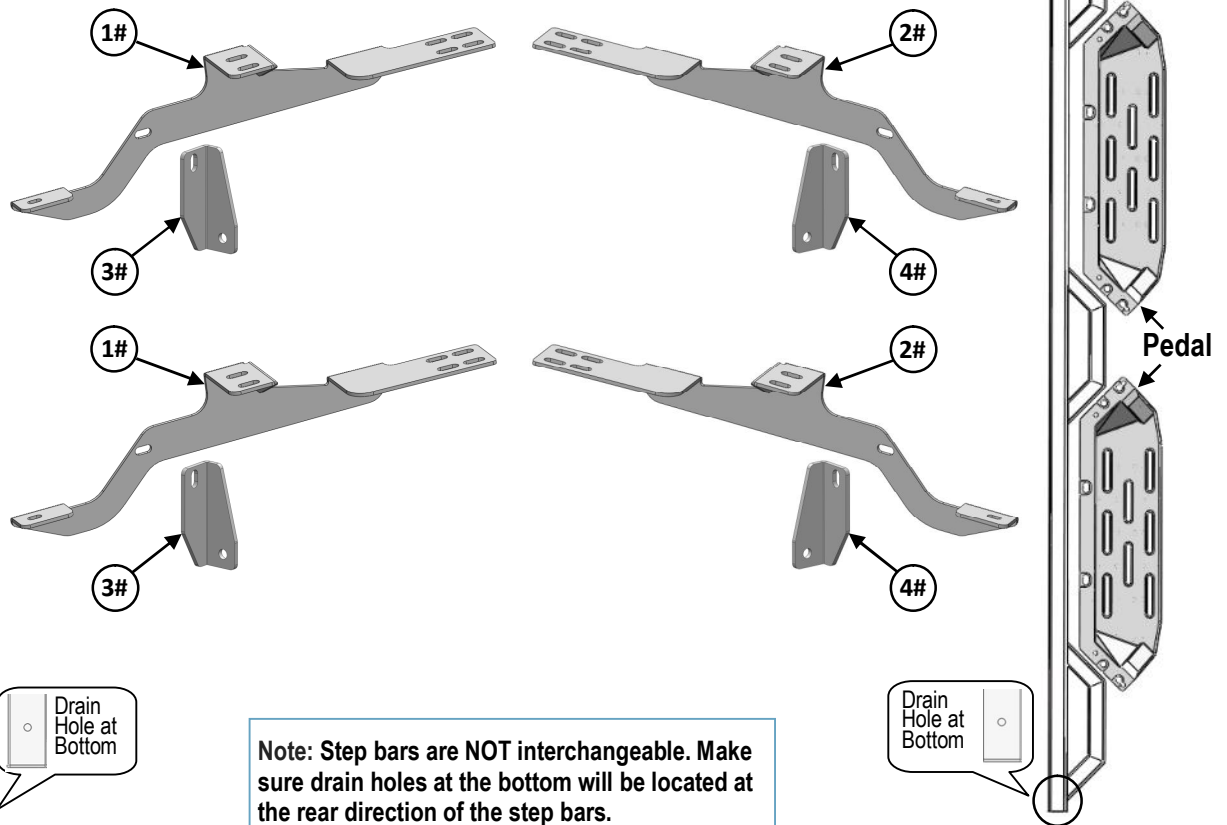
#### Driver Side Step Bar



Front



#### Passenger Side Step Bar

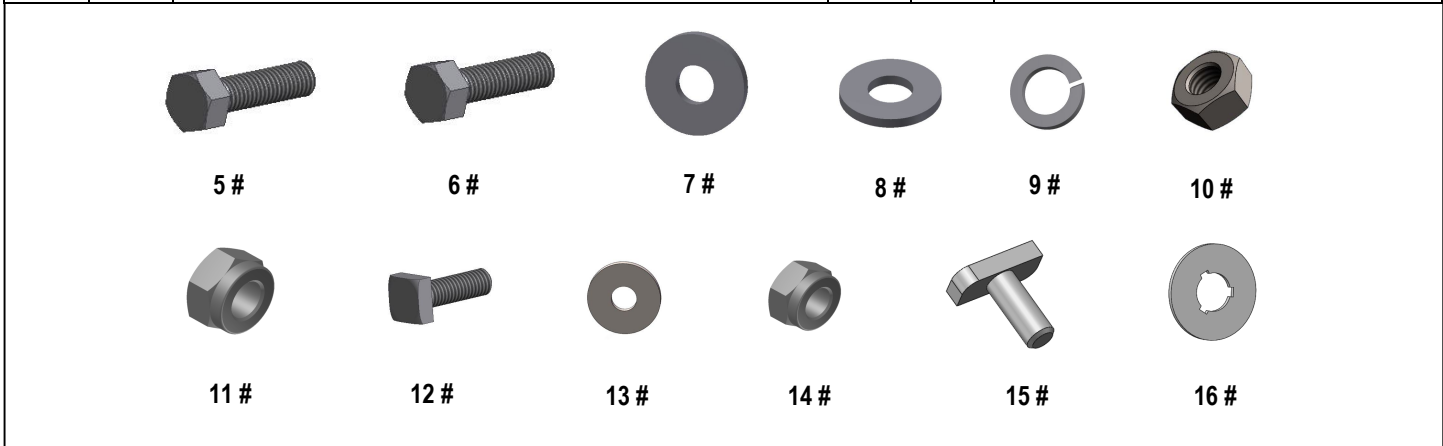


Note: Step bars are NOT interchangeable. Make sure drain holes at the bottom will be located at the rear direction of the step bars.

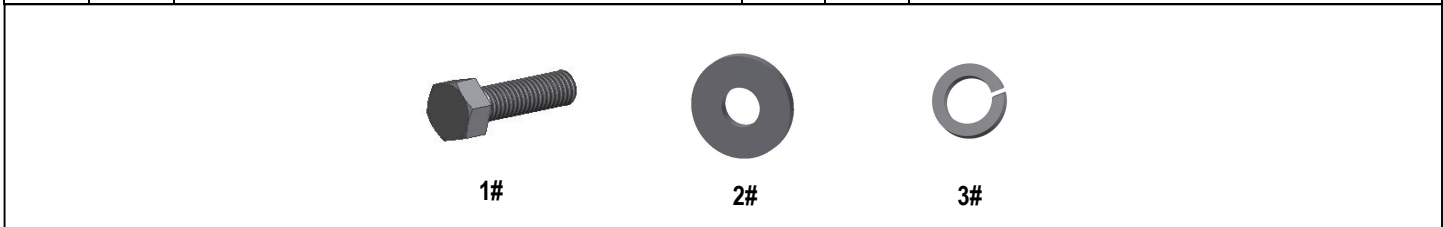
Customer Support: [info@iarmorauto.com](mailto:info@iarmorauto.com)

# iArmor®

Hardware Package A (For Brackets & Bars Installation)					
Item	QTY	Description	Item	QTY	Description
1#	2	Driver Front / Rear Mounting Brackets	9#	24	M8 Lock Washers
2#	2	Passenger Front / Rear Mounting Brackets	10#	24	M8X1.25 Hex Nuts
3#	2	Driver Front / Rear Support Brackets	11#	8	M8X1.25 Nylon Lock Nuts
4#	2	Passenger Front / Rear Support Brackets	12#	4	M6X1-20 Square Head Bolts
5#	24	M8X1.25-35 Hex Bolts	13#	4	M6 Large Flat Washers
6#	4	M8X1.25-25 Hex Bolts	14#	4	M6 Nylon Lock Nuts
7#	12	M8 Large Flat Washers	15#	4	M8X1.25-20 T-Bolts
8#	24	M8 Flat Washers	16#	4	M8 Plastic Washers



Hardware Package B (For Step Pedals Installation)					
Item	QTY	Description	Item	QTY	Description
1#	24	M8X1.25-25 Hex Bolts	3#	24	M8 Lock Washers
2#	24	M8 Large Flat Washers			



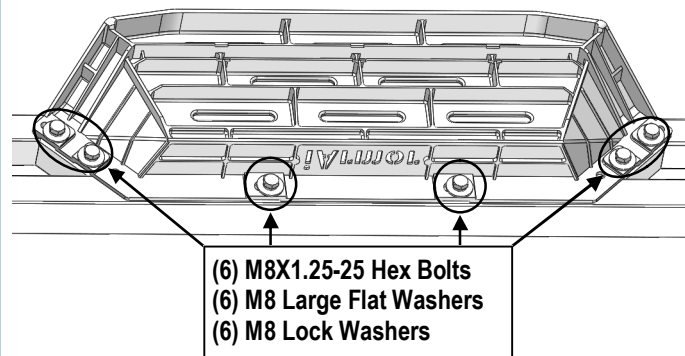
# iArmor®

The instruction here is for your reference only. We strongly recommend the professional installer for best result. We are not responsible for any damage caused by the installation.

## STEP 1

Install (4) Pedals onto the step bars with (24) M8X1.25-25mm Hex Bolts, (24) M8 Large Flat Washers and (24) M8 Lock Washers.

**IMPORTANT:** Don't punch the pedal with any metal hammer within pedal installation, or the pedal will be damaged.



## STEP 2

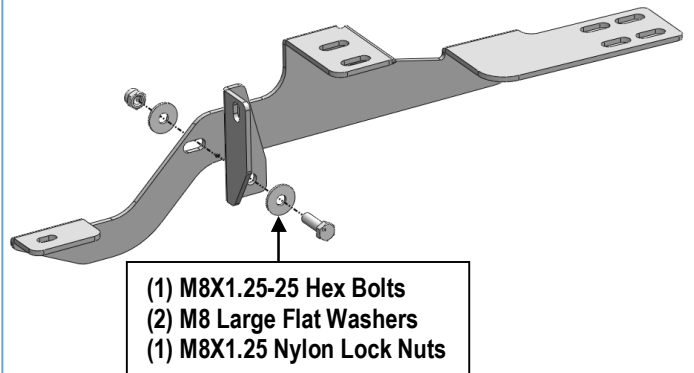
Start installation from the driver side front of the vehicle. From underneath vehicle, place driver side front bracket in position as shown in (Fig 1).



(Fig 1) Driver Side Front Mounting Location

## STEP 3

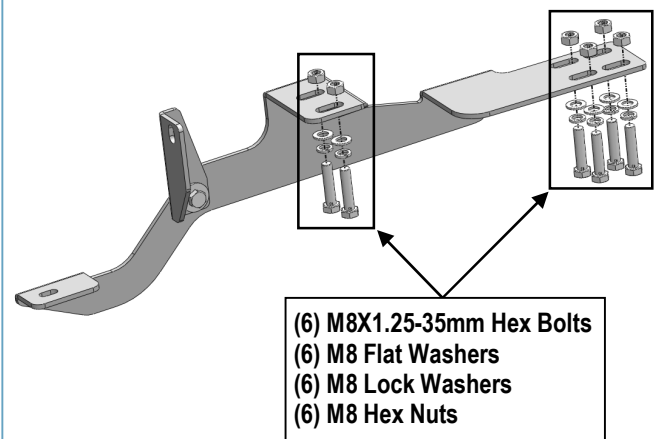
Select (1) Driver Front Mounting Bracket and Driver Front Support Bracket, assemble with (1) M8X1.25-25mm Hex Bolt, (2) M8 Large Flat Washers and (1) M8 Nylon Lock Nut, (Fig 2). Do not fully tighten hardware at this time.



(Fig 2) Driver Front Mounting Brackets Assembly

## STEP 4

Attach the assembled Driver Front Mounting Bracket to driver front mounting location with (6) M8X1.25-35mm Hex Bolts, (6) M8 Flat Washers, (6) M8 Lock Washers, (6) M8 Hex Nuts, (Fig 3). Do not fully tighten hardware at this time.



(Fig 3) Driver Front Brackets Installation

# iArmor®

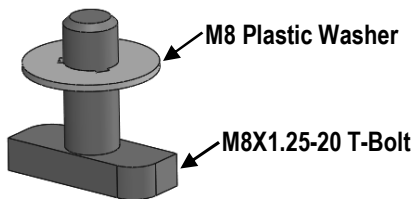
## STEP 5

Repeat **Steps 3-4** for Driver Rear Mounting Bracket and Driver Rear Support Bracket assembly and installation. Do not fully tighten hardware at this time.

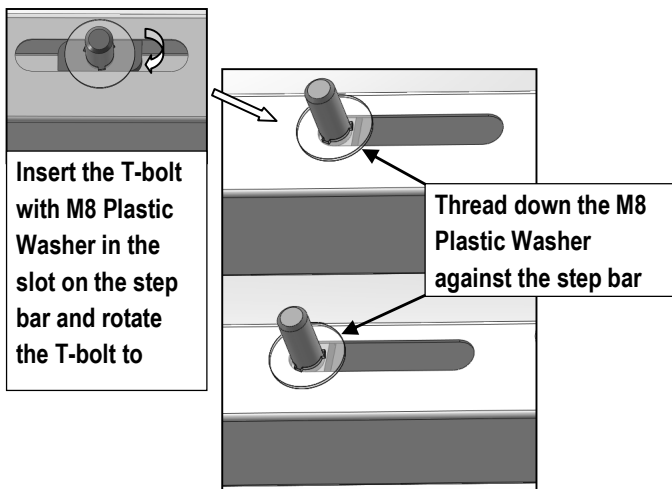
## STEP 6

Once all (2) brackets have been installed, select (2) M8X1.25-20mm T-Bolts, thread (1) M8 Plastic Washer on each T-Bolt, (**Fig 4**). Install the (2) M8X1.25-20mm T-Bolts with plastic washers in the slots on the assembled Driver side step bar. Rotate the T-Bolts to 90 degree, thread down the M8 Plastic Washers against the step bar (**Fig 5**).

**NOTE:** The Plastic Washer is designed to keep the T-Bolt in place to avoid falling into the tube during installation.



(Fig 4) Thread (1) M8 Plastic Washer on each T-Bolt Before Inserting into the slot !!!



(Fig 5) T-Bolt with plastic washer in the slot

## STEP 7

Attach the Assembled Driver Side Step Bar onto the Mounting Brackets with (2) M8 Plastic Washers, (2) M8X1.25-20mm T-Bolts, (2) M8 Large Flat Washers, (2) M8 Nylon Lock Nuts, (**Fig 6**). Do not fully tighten hardware at this time.

**NOTE:** Driver Front & Rear Mounting Brackets are located under (2) pedals. Slide (2) M6X1-20mm Square Head Bolts into the channels at the bottom of pedals (**Fig 7**). And secure the Driver Front & Rear Mounting Brackets to the pedals with (2) M6 Large Flat Washers and (2) M6 Nylon Lock Nuts, (**Fig 6**). Do not fully tighten hardware at this time.

## STEP 8

Level and adjust the assembled Step Bar properly and tighten all hardware.

Move to the other side of the vehicle. Repeat **Steps 2-7** to install the other side step bar.

### Attention

Do periodic inspections to the installation to make sure that all hardware is secure and tight.

In order to protect your bars/boards, please use mild soap/non-abrasive products for cleaning only.

(Fig 6) Driver Side Step Bar Installation

