

# iArmor®

## IARMOR EDGE™

PART#: IA-N352H

### BEFORE INSTALLATION

REMOVE CONTENTS FROM BOX. VERIFY ALL PARTS ARE PRESENT. READ INSTRUCTIONS CAREFULLY BEFORE STARTING INSTALLATION. ASSISTANCE IS RECOMMENDED. THANK YOU FOR CHOOSING OUR PRODUCT!

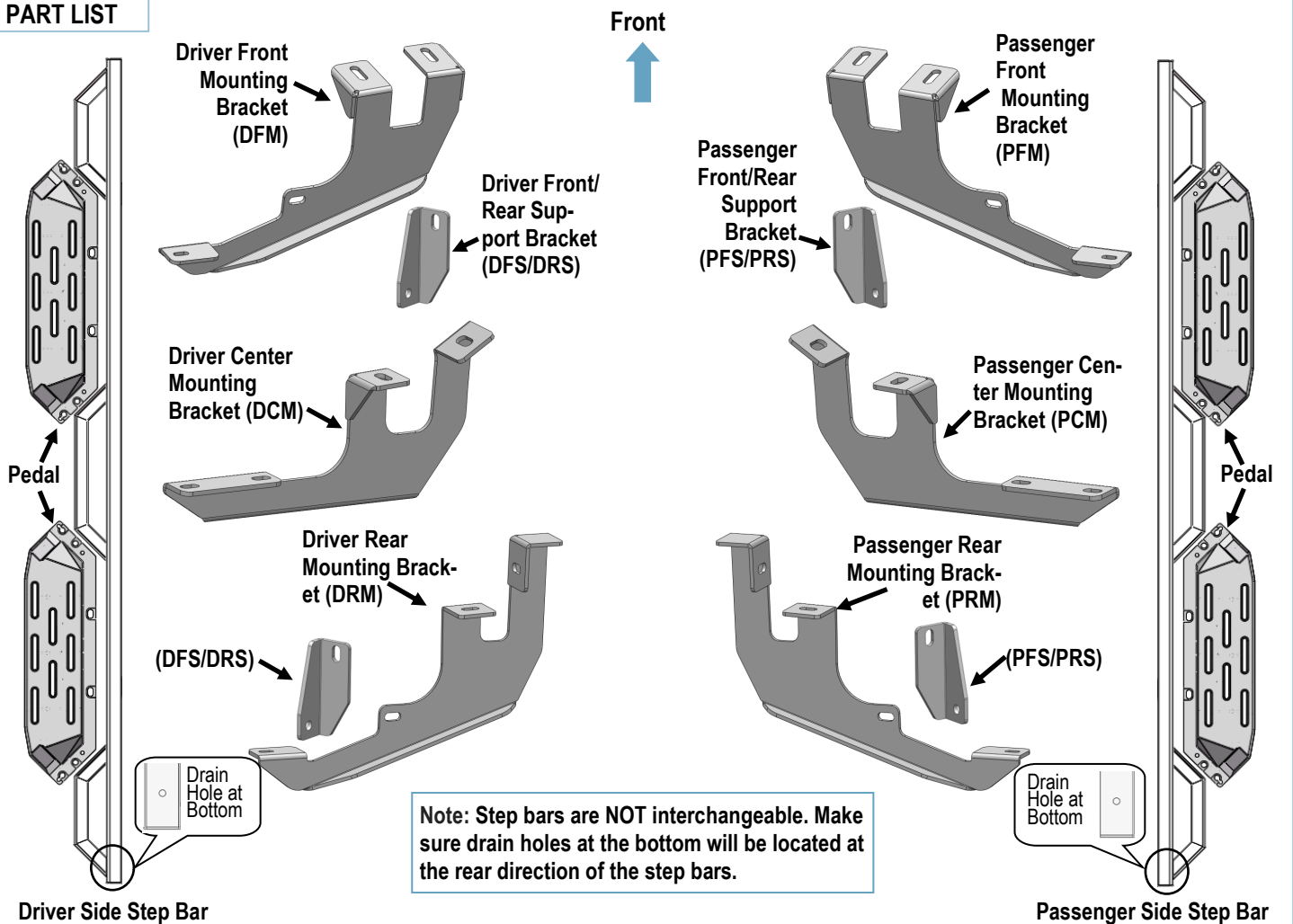
\*ROCKER PANEL MOUNT

\*DRILLING NOT REQUIRED

### Torque Value

Fastener Size	Tightening Torque (ft-lbs)	Required
6mm	6-7	√
8mm	16-18	√
10mm	31-32	X
12mm	56-58	X
14mm	92-94	X

### PART LIST



Customer Support: [info@iarmorauto.com](mailto:info@iarmorauto.com)

# iArmor®

Hardware Package A (For Brackets & Bars Installation)					
Item	QTY	Description	Item	QTY	Description
1#	12	M8X1.25-25mm Hex Bolts	7#	4	M6 Large Flat Washers
2#	28	M8 Large Flat Washers	8#	4	M6X1 Nylon Lock Nuts
3#	16	M8 Lock Washers	9#	8	M8X1.25-20 T Bolts
4#	4	M8X1.25-30mm Hex Bolts	10#	8	M8 Plastic Washers
5#	4	M8 Hex Nuts	11#	8	M8X1.25 Nylon Lock Nuts
6#	4	M6X1-20 Square Head Bolts			

1#      2#      3#      4#      5#      6#

7#      8#      9#      10#      11#

Hardware Package B (For Step Pedals Installation)					
Item	QTY	Description	Item	QTY	Description
1#	24	M8X1.25-25 Hex Bolts	3#	24	M8 Lock Washers
2#	24	M8 Large Flat Washers			

1#      2#      3#

Customer Support: [info@iarmorauto.com](mailto:info@iarmorauto.com)

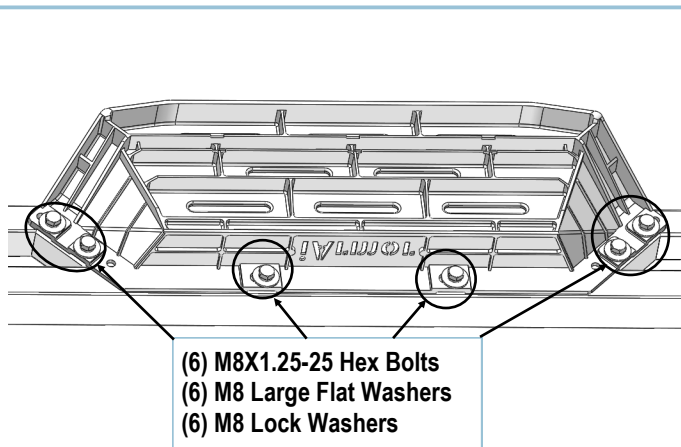
# iArmor®

The instruction here is for your reference only. We strongly recommend the professional installer for best result. We are not responsible for any damage caused by the installation.

## STEP 1

Install (4) Pedals onto the step bars with (24) M8X1.25-25mm Hex Bolts, (24) M8 Large Flat Washers and (24) M8 Lock Washers.

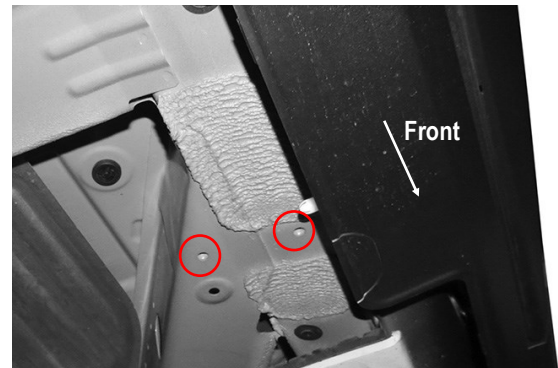
**IMPORTANT:** Don't punch the pedal with any metal hammer within pedal installation, or the pedal will be damaged.



## STEP 2

Starting on the passenger side front of the vehicle, locate the (2) factory 8mm threaded holes located in the bottom of the floor panel, (Fig 1).

**NOTE:** Threaded holes may be covered with insulation. Clean mounting locations as required for proper Bracket installation.

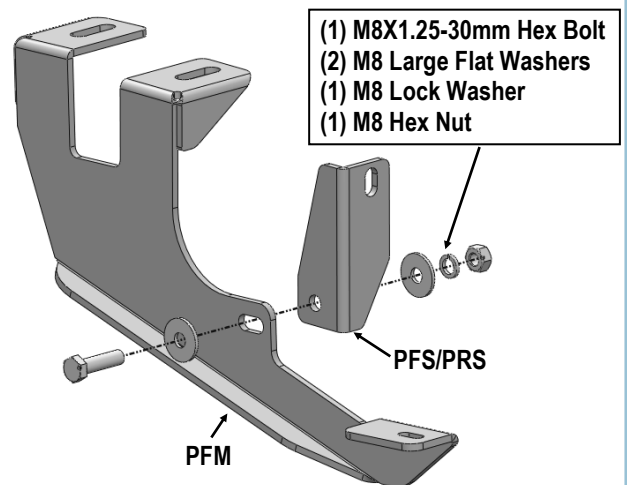


(Fig 1) Passenger Side Front Mounting Location

## STEP 3

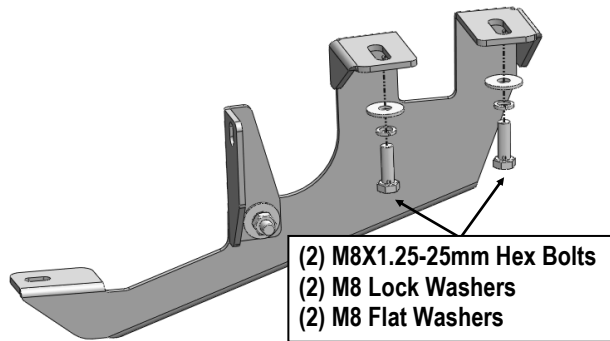
Select (1) Passenger Front Mounting Bracket (**PFM**) and (1) Passenger Front Support Bracket (**PFS/PRS**). Assemble with (1) M8X1.25-30mm Hex Bolt, (2) M8 Large Flat Washers, (1) M8 Lock Washer and (1) M8 Hex Nut, (Fig 2).

Attach the Passenger Front Mounting Bracket to the (2) threaded holes with (2) M8X1.25-25mm Hex Bolts, (2) M8 Large Flat Washers and (2) M8 Lock Washers, (Fig 3). Do not fully tighten hardware at this time.



(Fig 2) Passenger Front Brackets Assembly

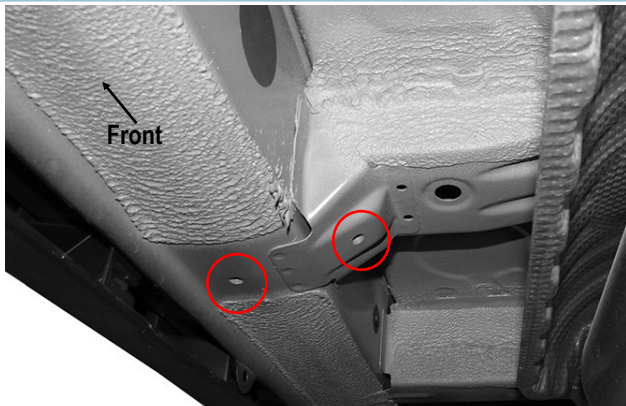
# iArmor®



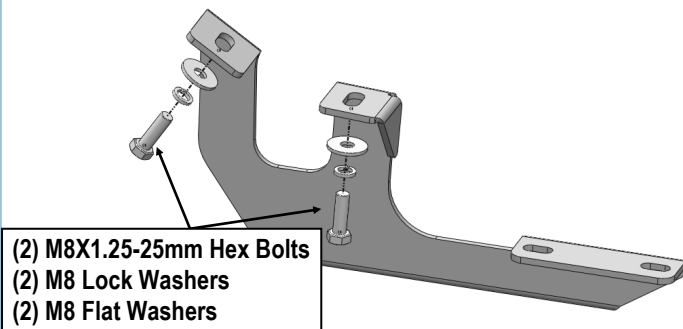
(Fig 3) Passenger Front Mounting Bracket Installation

## STEP 4

Move to the passenger side center mounting location, (Fig 4). Repeat **Steps 2-3** to bolt the Passenger Center Mounting Bracket (PCM) to the factory threaded holes, (Fig 5). Do not fully tighten hardware at this time.



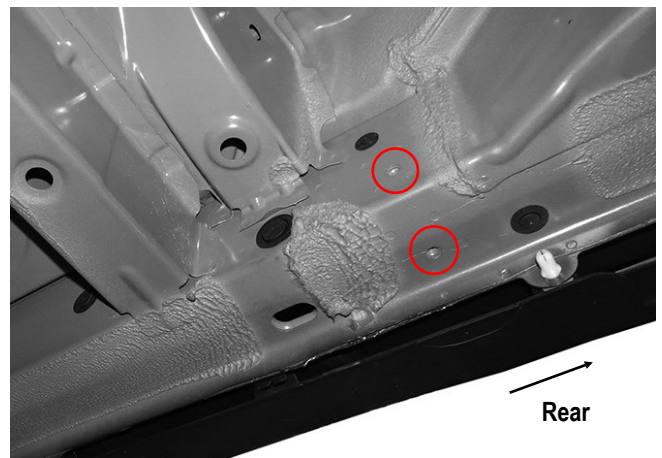
(Fig 4) Passenger Side Center Mounting Location



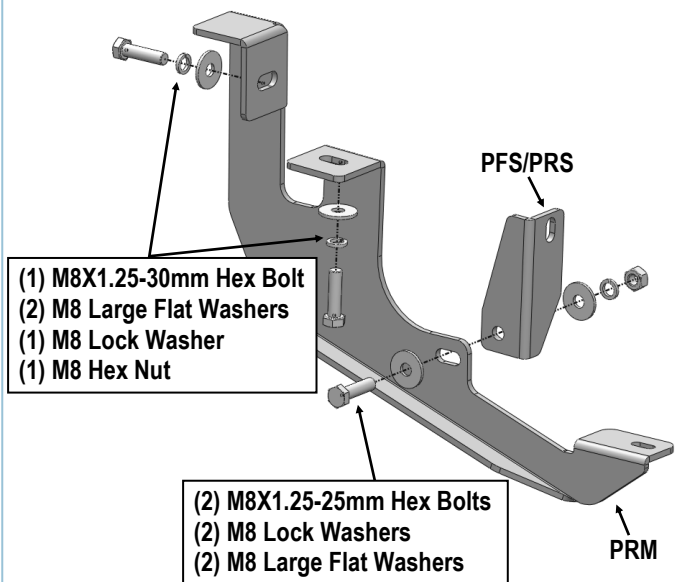
(Fig 5) Passenger Center Mounting Bracket Installation

## STEP 5

Next, move to the passenger side rear mounting location, (Fig 6). Repeat **Steps 2-3** to assemble and install the Passenger Rear Mounting Bracket (PRM) and the Passenger Rear Support Bracket (PFS/PRS), (Fig 7). Do not fully tighten hardware at this time.



(Fig 6) Passenger Side Rear Mounting Location



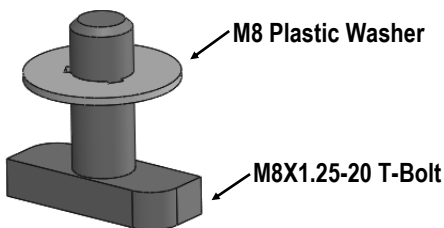
(Fig 7) Passenger Rear Brackets Assembly & Installation

# iArmor®

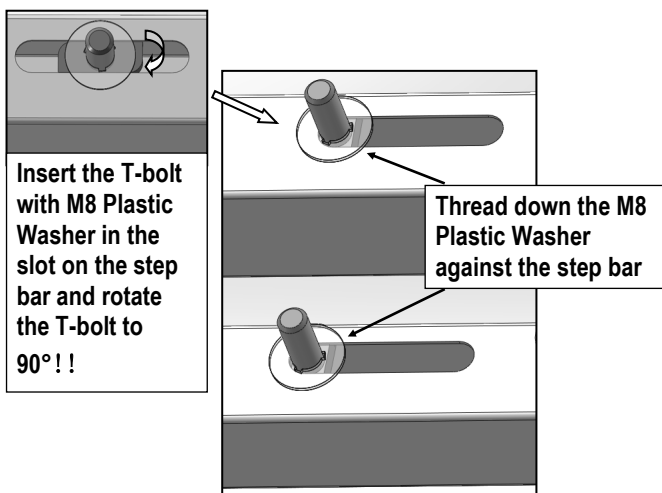
## STEP 6

Once all (3) brackets have been installed, select (4) M8X1.25-20mm T-Bolts, thread (1) M8 Plastic Washer on each T-Bolt, (Fig 8). Install the (4) M8X1.25-20mm T-Bolts with plastic washers in the slots on the assembled Passenger side step bar. Rotate the T-Bolts to 90 degree, thread down the M8 Plastic Washers against the step bar (Fig 9).

**NOTE:** The Plastic Washer is designed to keep the T-Bolt in place to avoid falling into the tube during installation.



(Fig 8) Thread (1) M8 Plastic Washer on each T-Bolt Before Inserting into the slot !!!



(Fig 9) T-Bolt with plastic washer in the slot

## STEP 7

Attach the Assembled Passenger Side Step Bar onto the Mounting Brackets with (4) M8 Plastic Washers, (4) M8X1.25-20mm T-Bolts, (4) M8 Large Flat Washers, (4) M8 Nylon Lock Nuts, (Fig 10). Do not fully tighten hardware at this time.

**NOTE:** Passenger Front & Rear Mounting Brackets are located under two pedals. Slide (2) M6X1-20mm Square Head Bolts into the channels at the bottom of pedals (Fig 11). And secure the Passenger Front & Rear Mounting Brackets to pedals with (2) M6 Large Flat Washers and (2) M6 Nylon Lock Nuts, (Fig 10). Do not fully tighten hardware at this time.

## STEP 8

Level and adjust the assembled Step Bar properly and tighten all hardware.

Move to the other side of the vehicle. Repeat **Steps 2-7** for the other Side Step Bar installation.

### Attention

Do periodic inspections to the installation to make sure that all hardware is secure and tight.

In order to protect your bars/boards, please use mild soap/non-abrasive products for cleaning only.

# iArmor<sup>®</sup>

