

iArmor[®]

iArmor[®] by APS

PART#: IA-S176H

BEFORE INSTALLATION

REMOVE CONTENTS FROM BOX. VERIFY ALL PARTS ARE PRESENT. READ INSTRUCTIONS CAREFULLY BEFORE STARTING INSTALLATION. ASSISTANCE IS RECOMMENDED. THANK YOU FOR CHOOSING OUR PRODUCT!

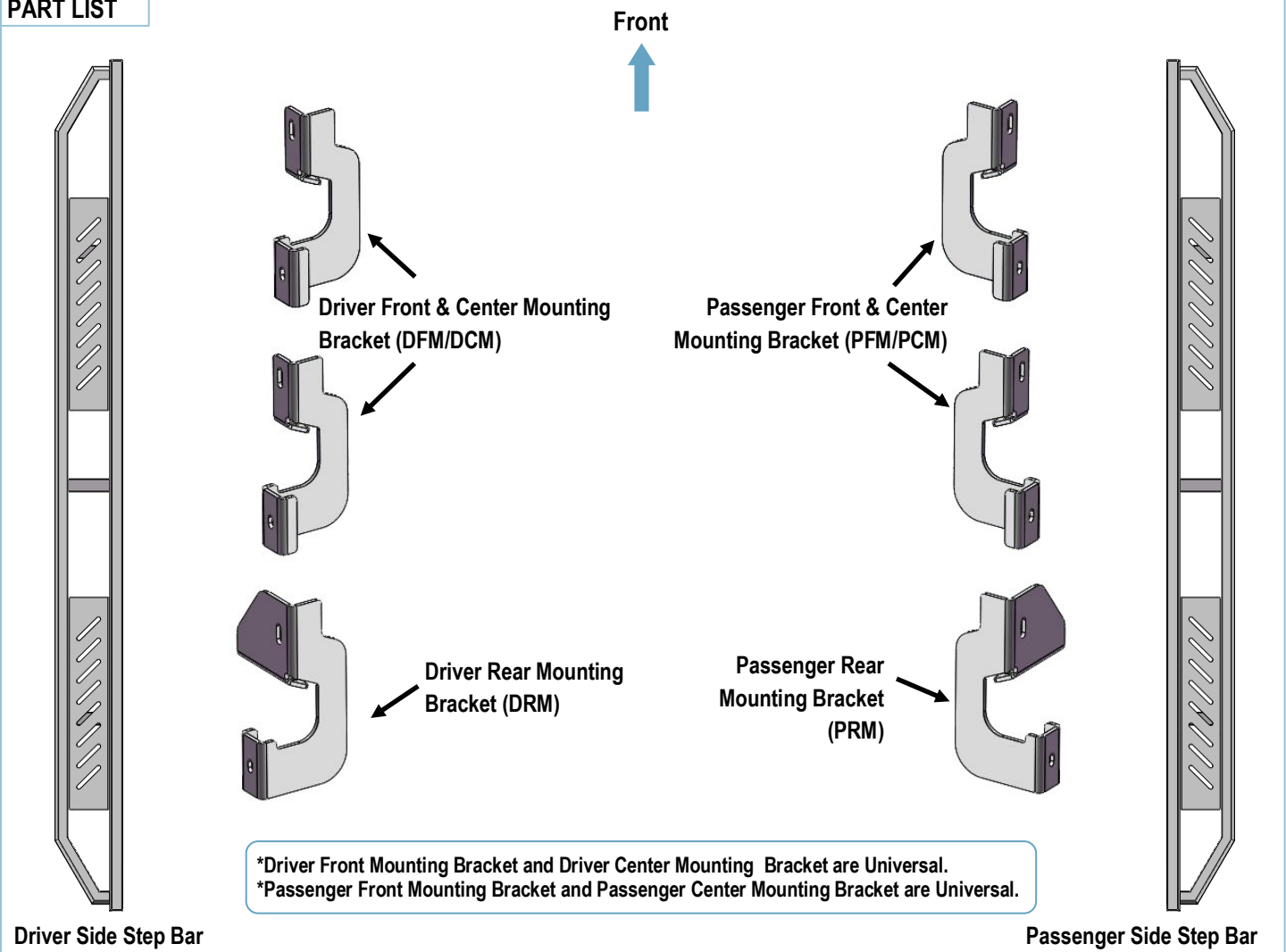
***ROCKER PANEL MOUNT**

***NO DRILLING / TRIMMING REQUIRED**

Torque Value

Fastener Size	Tightening Torque (ft-lbs)	Required
6mm	6-7	X
8mm	16-18	√
10mm	31-32	√
12mm	56-58	X
14mm	92-94	X

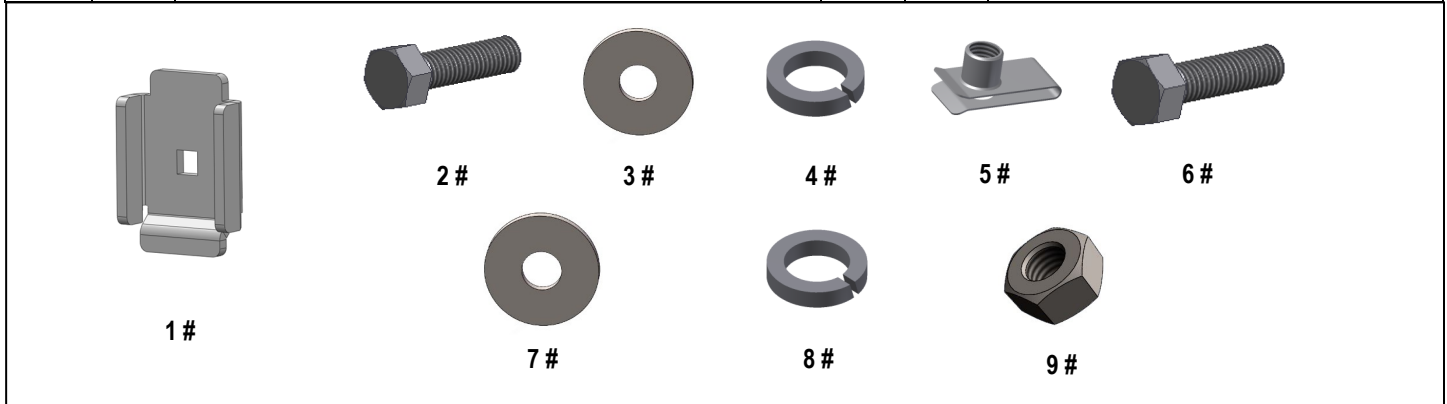
PART LIST



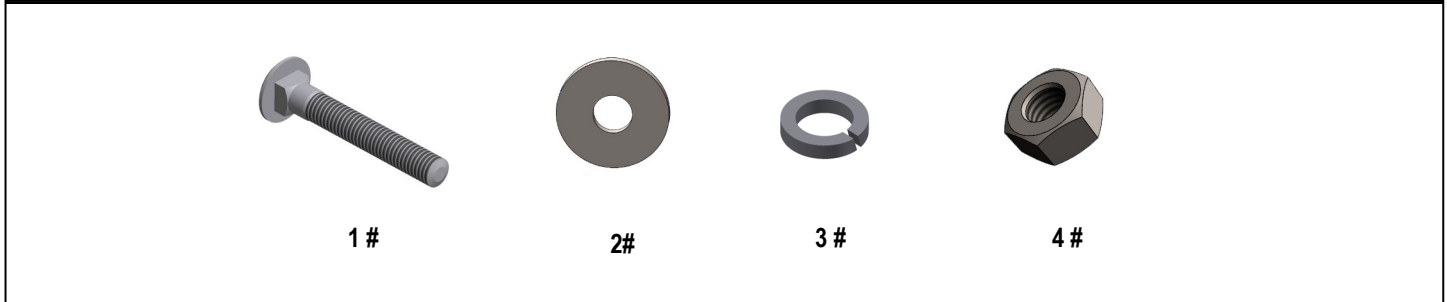
Customer Support: info@iarmorauto.com

iArmor®

Hardware Package A (For Bracket Installation)					
Item	QTY	Description	Item	QTY	Description
1#	6	U Brackets	6#	8	M10X1.5-25 Hex Bolts
2#	6	M8X1.25-25mm Hex Bolts	7#	16	M10 Flat Washers
3#	6	M8 Large Flat Washers	8#	8	M10 Lock Washers
4#	6	M8 Lock Washers	9#	8	M10X1.5 Hex Nuts
5#	6	M8 Clip Nuts			



Hardware Package B (For Step Bar Installation)					
Item	QTY	Description	Item	QTY	Description
1#	6	M8X1.25-55mm Carriage Bolts	3#	6	M8 Lock Washers
2#	6	M8 Large Flat Washers	4#	6	M8 Hex Nuts

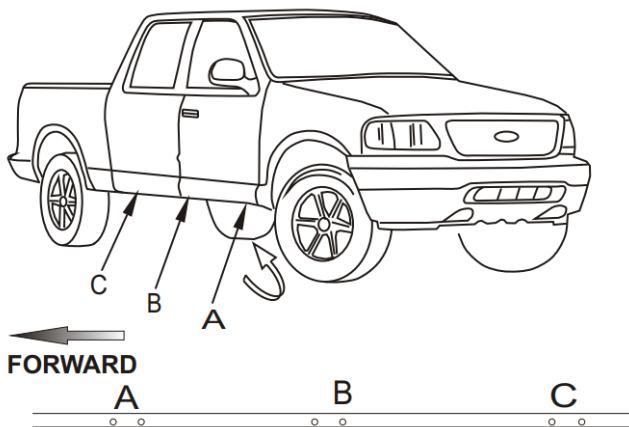


iArmor®

The instruction here is for your reference only. We strongly recommend the professional installer for best result. We are not responsible for any damage caused by the installation.

STEP 1

Locate Passenger Side mounting locations on pinch weld as shown on (See Fig 1).



(Fig 1) Passenger Side Mounting Locations Pictured

STEP 2

Install M8 Clip Nuts into the holes on the body pane as shown (Fig 2).

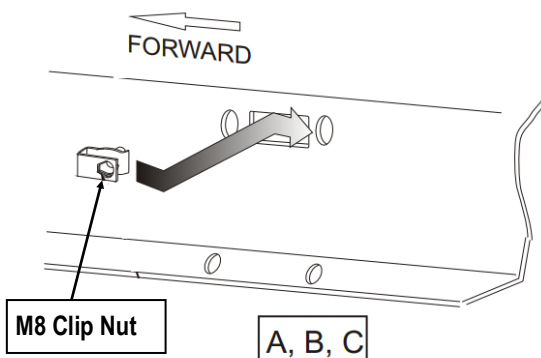
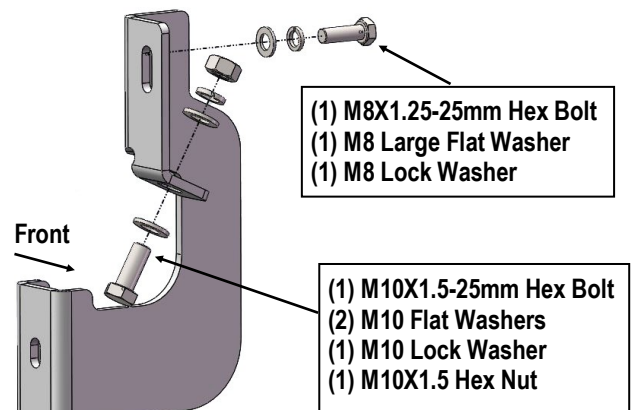


Fig 2

STEP 3

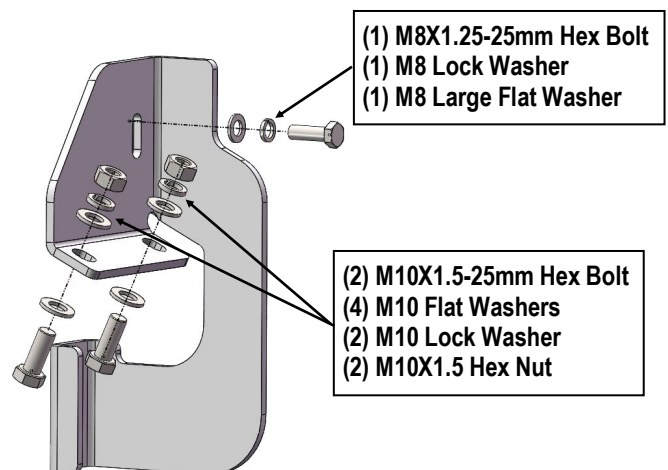
Start the installation from Passenger front mounting location. Attach Passenger Front Mounting Bracket with (1) M8X1.25-25mm Hex Bolt, (1) M8 Large Flat Washer, (1) M8 Lock Washer and (1) M10X1.5-25mm Hex Bolt, (2) M10 Flat Washers, (1) M10 Lock Washer, (1) M10X1.5 Hex Nut. Finger tightens (Fig 3). Repeat to install Passenger Center Mounting Bracket.



(Fig 3) Passenger Front / Center Mounting Bracket Installation

STEP 4

Move to Driver Side Rear Mounting Location . Attach Passenger Rear Mounting Bracket as shown. Leave brackets loose at this time.



(Fig 4) Passenger Rear Mounting Bracket Installation

iArmor®

STEP 5

Once all (3) passenger side mounting brackets are installed, select and attach the Passenger Side Step Bar onto the Mounting Brackets with (3) U Brackets, (3) M8X1.25-55mm Carriage Bolts, (3) M8 Large Flat Washers, (3) M8 Lock Washers and (3) M8X1.25 Hex Nuts (**Fig 5**). Do not fully tighten hardware at this time.

STEP 6

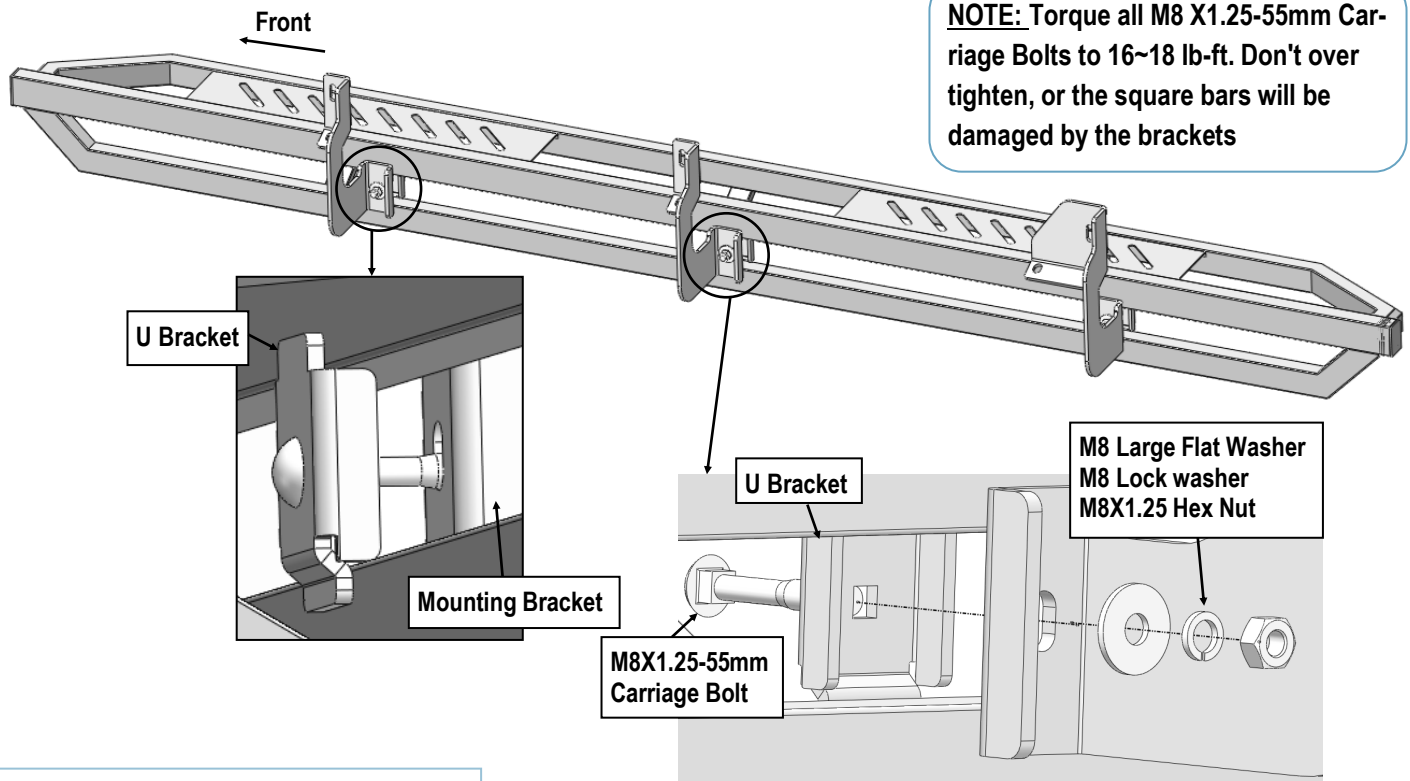
Properly level and adjust the Step Bar and fully tighten all hardware.

STEP 7

Move to the driver side of the vehicle. Repeat **Steps 1-6** to install driver side step bar.

Installation completed.

NOTE: Torque all M8 X1.25-55mm Carriage Bolts to 16~18 lb-ft. Don't over tighten, or the square bars will be damaged by the brackets



(Fig 5) Passenger Side Step Bar Installation

Attention

Do periodic inspections to the installation to make sure that all hardware is secure and tight.
In order to protect your bars/boards, please use mild soap/non-abrasive products for cleaning only.