

# iArmor®

## IARMOR EDGE™

PART#: IA-N044H

### BEFORE INSTALLATION

REMOVE CONTENTS FROM BOX. VERIFY ALL PARTS ARE PRESENT. READ INSTRUCTIONS CAREFULLY BEFORE STARTING INSTALLATION. ASSISTANCE IS RECOMMENDED. THANK YOU FOR CHOOSING OUR PRODUCT!

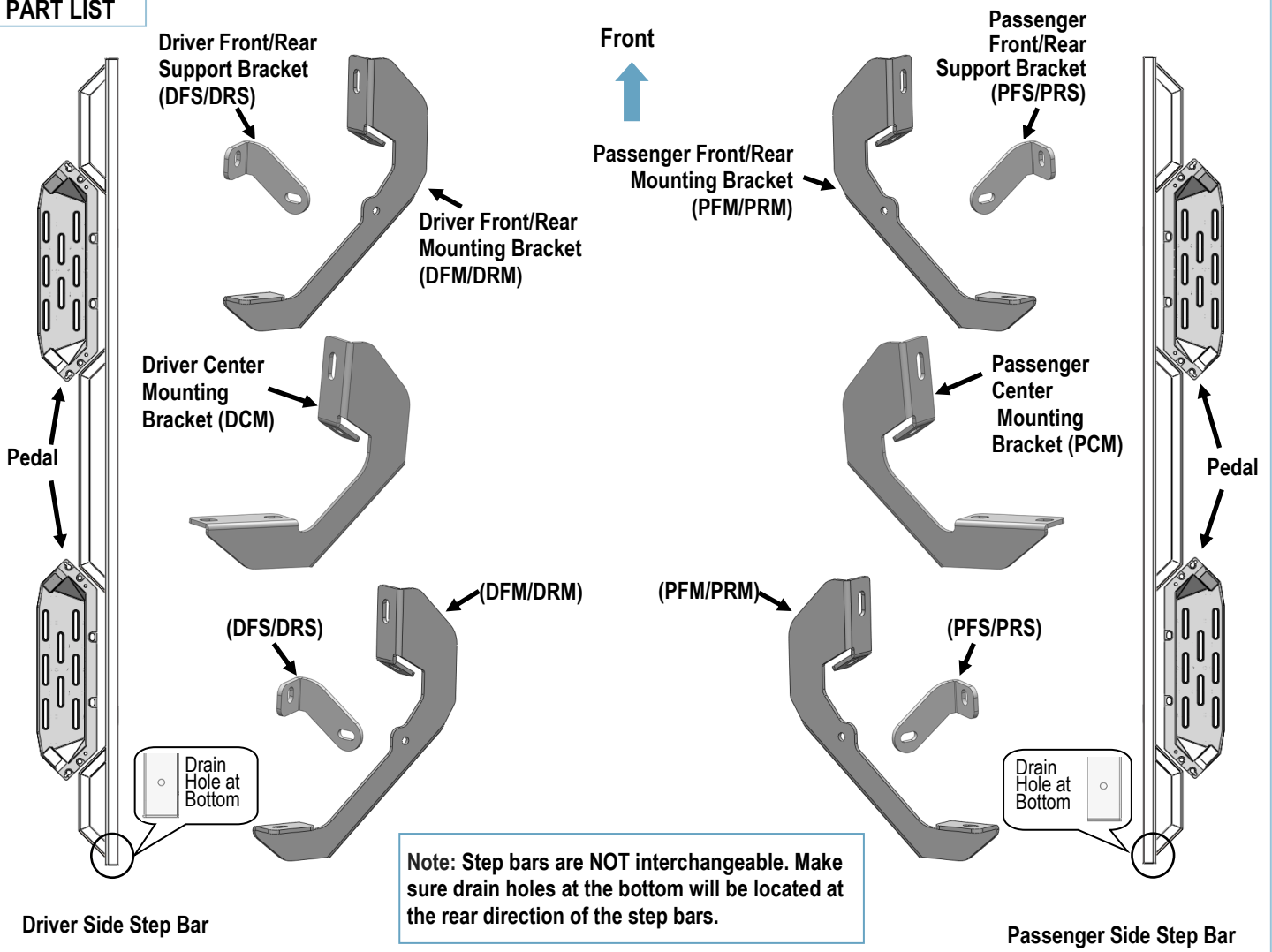
\*ROCKER PANEL MOUNT

\*DRILLING NOT REQUIRED

### Torque Value

Fastener Size	Tightening Torque (ft-lbs)	Required
6mm	6-7	√
8mm	16-18	√
10mm	31-32	√
12mm	56-58	X
14mm	92-94	X

### PART LIST

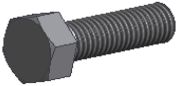


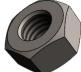
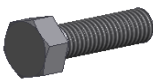


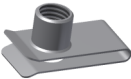

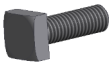






Customer Support: [info@iarmorauto.com](mailto:info@iarmorauto.com)

# iArmor®

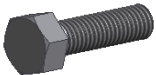


Hardware Package A (For Brackets & Bars Installation)					
Item	QTY	Description	Item	QTY	Description
1#	6	M10X1.5-25mm Hex Bolts	8#	6	M8 Clip Nuts
2#	12	M10 Flat Washers	9#	12	M8X1.25 Nylon Lock Nuts
3#	6	M10 Lock Washers	10#	4	M6X1-20 Square Head Bolts
4#	6	M10 Hex Nuts	11#	4	M6 Large Flat Washers
5#	10	M8X1.25-25 Hex Bolts	12#	4	M6 Nylon Lock Nuts
6#	22	M8 Large Flat Washers	13#	8	M8X1.25-20 T-Bolts
7#	6	M8 Lock Washers	14#	8	M8 Plastic Washers

						
1 #	2 #	3 #	4 #	5 #	6 #	7 #
						
8 #	9 #	10 #	11 #	12 #	13 #	14 #

Hardware Package B (For Step Pedals Installation)					
Item	QTY	Description	Item	QTY	Description
1#	24	M8X1.25-25 Hex Bolts	3#	24	M8 Lock Washers
2#	24	M8 Large Flat Washers			

		
1#	2#	3#

Customer Support: [info@iarmorauto.com](mailto:info@iarmorauto.com)

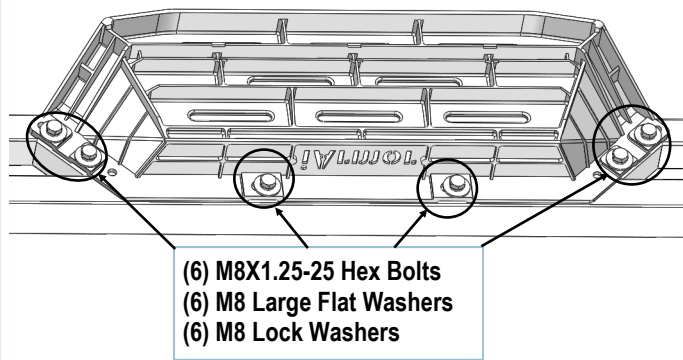
# iArmor®

The instruction here is for your reference only. We strongly recommend the professional installer for best result. We are not responsible for any damage caused by the installation.

## STEP 1

Install (4) Pedals onto the step bars with (24) M8X1.25-25mm Hex Bolts, (24) M8 Large Flat Washers and (24) M8 Lock Washers.

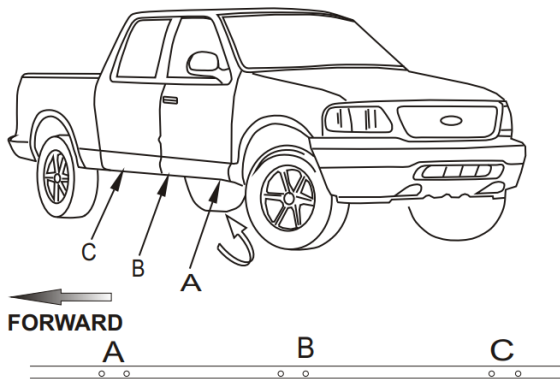
**IMPORTANT:** Don't punch the pedal with any metal hammer within pedal installation, or the pedal will be damaged.



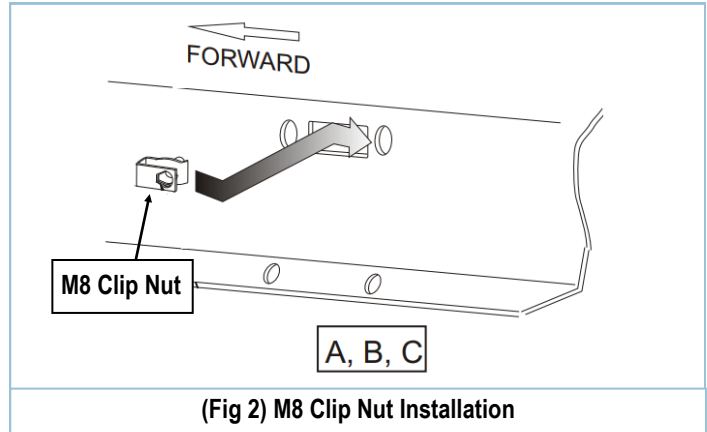
## STEP 2

Locate the Passenger Side mounting locations as shown on (Fig 1).

Install M8 Clip-on Nuts to the rocker panel as shown (Fig 2).



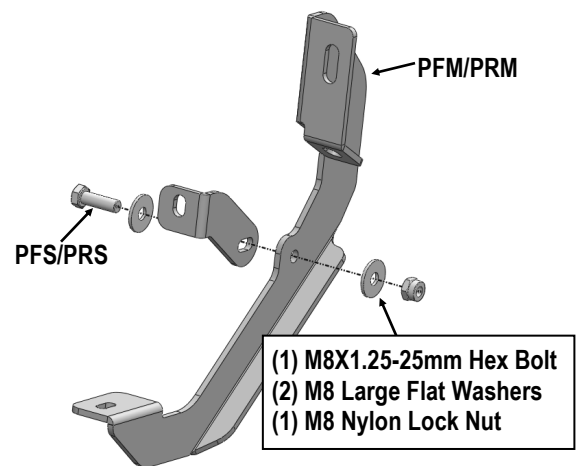
(Fig 1) Passenger Side Mounting Locations



## STEP 3

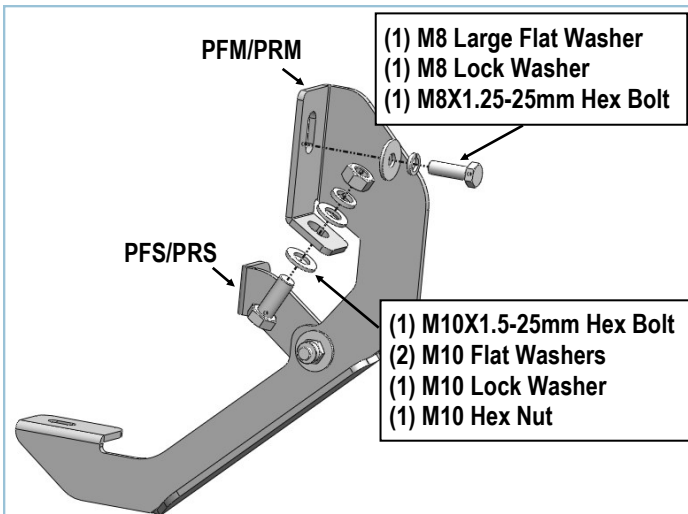
Start from the Passenger side front mounting location. Assemble Passenger Front Mounting Bracket (PFM/PRM) and Passenger Front Support Bracket (PFS/PRS) with (1) M8X1.25-25mm Hex Bolt, (2) M8 Large Flat Washers and (1) M8 Nylon Lock Nut, (Fig 3).

Attach the assembled Passenger Front Mounting Bracket to the installed M8 Clip Nut with (1) M8X1.25-25mm Hex Bolt, (1) M8 Large Flat Washer, (1) M8 Lock Washer. Secure the lower mounting hole on the bracket to the pinch weld with (1) M10X1.5-25mm Hex Bolt, (2) M10 Flat Washers, (1) M10 Lock Washer, (1) M10 Hex Nut. Do not fully tighten hardware at this time, (Fig 4).



(Fig 3) Passenger Front Mounting Brackets Assembly

# iArmor®



(Fig 4) Passenger Front Mounting Bracket Installation

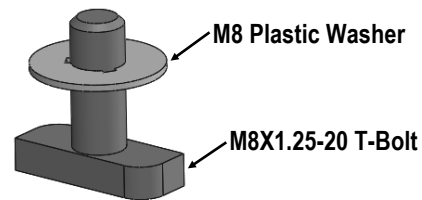
## STEP 4

Move to the Passenger Side Center & Rear Mounting Locations. Repeat **Steps 2-3** to install and assemble the Brackets. Leave brackets loose at this time.

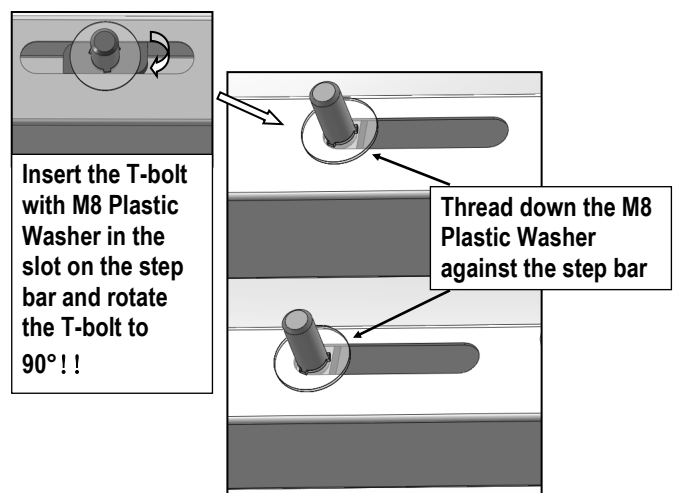
## STEP 5

Once all (3) brackets have been installed, select (4) M8X1.25-20mm T-Bolts, thread (1) M8 Plastic Washer on each T-Bolt, (**Fig 5**). Install the (4) M8X1.25-20mm T-Bolts with plastic washers in the slots on the assembled Passenger side step bar. Rotate the T-Bolts to 90 degree, thread down the M8 Plastic Washers against the step bar (**Fig 6**).

**NOTE:** The Plastic Washer is designed to keep the T-Bolt in place to avoid falling into the tube during installation.



(Fig 5) Thread (1) M8 Plastic Washer on each T-Bolt Before Inserting into the slot !!!



(Fig 6) T-Bolt with plastic washer in the slot

## STEP 6

Attach the Assembled Passenger Side Step Bar onto the Mounting Brackets with (4) M8 Plastic Washers, (4) M8X1.25-20mm T-Bolts, (4) M8 Large Flat Washers, (4) M8 Nylon Lock Nuts, (**Fig 7**). Do not fully tighten hardware at this time.

**NOTE:** Passenger Front & Rear Mounting Brackets are located under (2) pedals. Slide (2) M6X1-20mm Square Head Bolts into the channels at the bottom of pedals (**Fig 8**). And secure the Passenger Front & Rear Mounting Brackets to the pedals with (2) M6 Large Flat Washers and (2) M6 Nylon Lock Nuts, (**Fig 7**). Do not fully tighten hardware at this time.

# iArmor<sup>®</sup>

## STEP 7

Level and adjust the assembled Step Bar properly and tighten all hardware.

Move to the other side of the vehicle. Repeat **Steps 2-6** for the other Side Step Bar installation.

### Attention

Do periodic inspections to the installation to make sure that all hardware is secure and tight.

In order to protect your bars/boards, please use mild soap/non-abrasive products for cleaning only.

