

iArmor®

IARMOR EDGE™

PART#: IA-N039H

BEFORE INSTALLATION

REMOVE CONTENTS FROM BOX. VERIFY ALL PARTS ARE PRESENT. READ INSTRUCTIONS CAREFULLY BEFORE STARTING INSTALLATION. ASSISTANCE IS RECOMMENDED. THANK YOU FOR CHOOSING OUR PRODUCT!

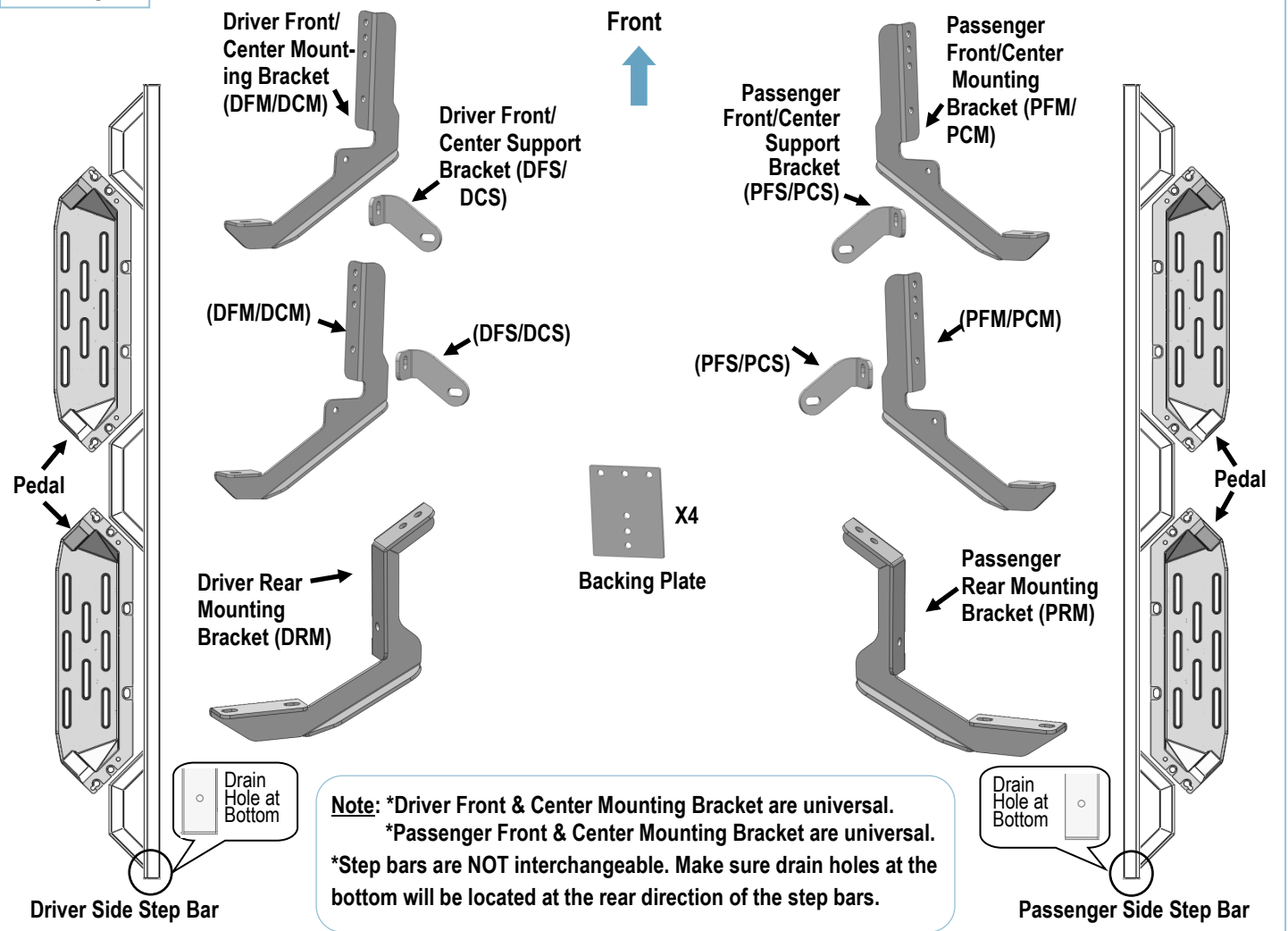
*ROCKER PANEL MOUNT

*DRILLING IS REQUIRED

Torque Value

Fastener Size	Tightening Torque (ft-lbs)	Required
6mm	6-7	√
8mm	16-18	√
10mm	31-32	X
12mm	56-58	X
14mm	92-94	X

PART LIST



Customer Support: info@iarmorauto.com

iArmor[®]

Hardware Package A (For Brackets & Bars Installation)					
Item	QTY	Description	Item	QTY	Description
1#	4	M8X1.25-25mm Hex Bolts	7#	4	M6X1-20 Square Head Bolts
2#	6	M8X1.25-20mm Hex Bolts	8#	4	M6 Large Flat Washers
3#	28	M8 Large Flat Washers	9#	4	M6 Nylon Lock Nuts
4#	10	M8 Lock Washers	10#	8	M8X1.25-20 T-Bolts
5#	10	M8X1.25 Hex Nuts	11#	8	M8 Plastic Washers
6#	12	ST6.3-25mm Hex Self Tapping Screws	12#	8	M8 Nylon Lock Nuts

1 #

2 #

3 #

4 #

5 #

6 #

7 #

8 #

9 #

10 #

11 #

12 #

Hardware Package B (For Step Pedals Installation)					
Item	QTY	Description	Item	QTY	Description
1#	24	M8X1.25-25 Hex Bolts	3#	24	M8 Lock Washers
2#	24	M8 Large Flat Washers			

1#

2#

3#

Customer Support: info@iarmorauto.com

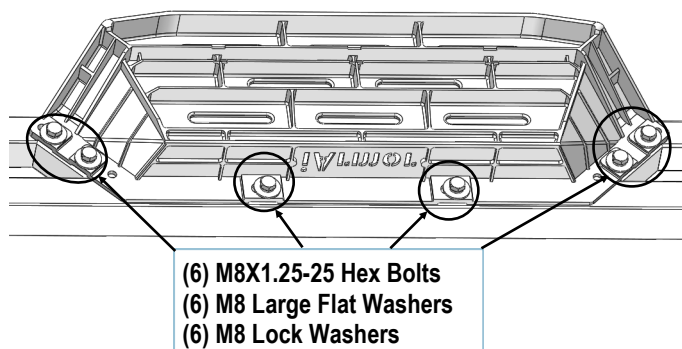
iArmor®

The instruction here is for your reference only. We strongly recommend the professional installer for best result. We are not responsible for any damage caused by the installation.

STEP 1

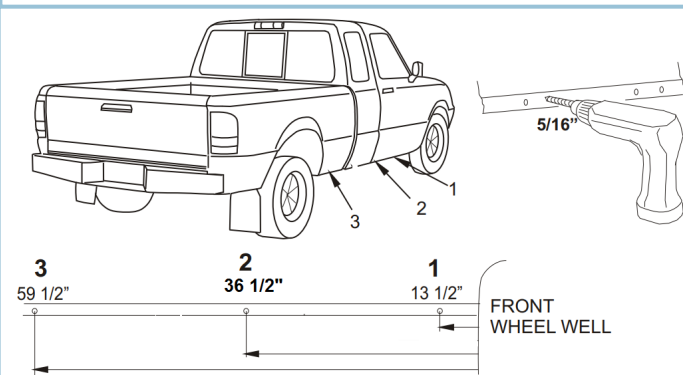
Install (4) Pedals onto the step bars with (24) M8X1.25-25mm Hex Bolts, (24) M8 Large Flat Washers and (24) M8 Lock Washers.

IMPORTANT: Don't punch the pedal with any metal hammer within pedal installation, or the pedal will be damaged.



STEP 2

Start installing from the passenger side of the vehicle. Drill $5/16"$ holes on pinch weld and body panel as shown (Both sides), (Fig 1).

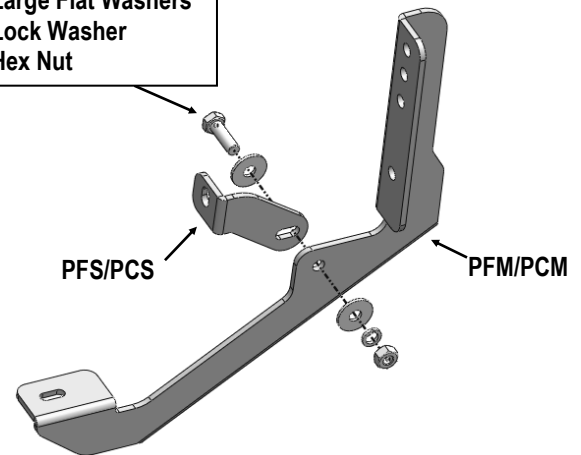


(Fig 1) Passenger Side Mounting Locations

STEP 3

Assemble Passenger Front Mounting Bracket (PFM/PCM) and Passenger Front/Center Support Bracket (PFS/PCS) with (1) M8X1.25-25mm Hex Bolt, (2) M8 Large Flat Washers, (1) M8 Lock Washer and (1) M8 Hex Nut, (Fig 2). Don't fully tighten hardware at this time.

- (1) M8X1.25-25mm Hex Bolt
- (2) M8 Large Flat Washers
- (1) M8 Lock Washer
- (1) M8 Hex Nut



(Fig 2) Passenger Front/Center Mounting Bracket Assembly

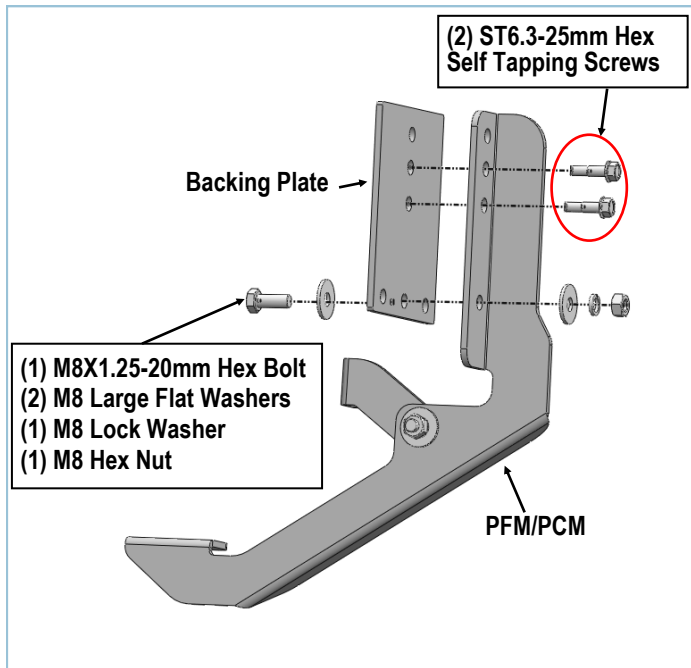
STEP 4

Attach the assembled Passenger Front Mounting Bracket and Backing Plate to body panel and pinch weld with (2) ST6.3-25mm Hex Self Tapping Screws, (1) M8X1.25-20mm Hex Bolt, (2) M8 Large Flat Washers, (1) M8 Lock Washer and (1) M8 Hex Nut, (Fig 3&4). Do not fully tighten hardware at this time.

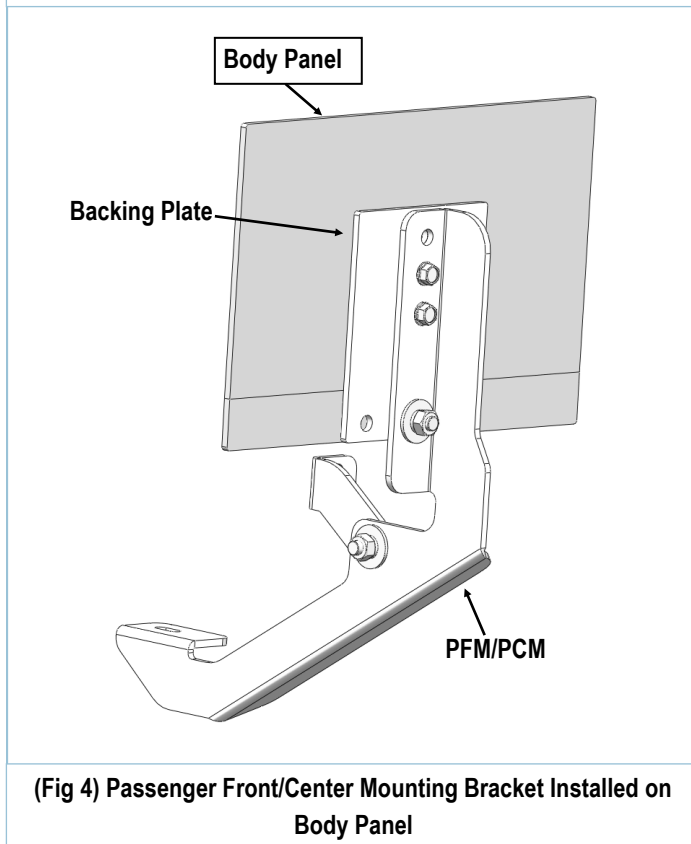
STEP 5

Move to the Passenger Side Center Mounting Location. Repeat **Steps 2-4** to install and assemble the Brackets. Do not fully tighten hardware at this time.

iArmor®



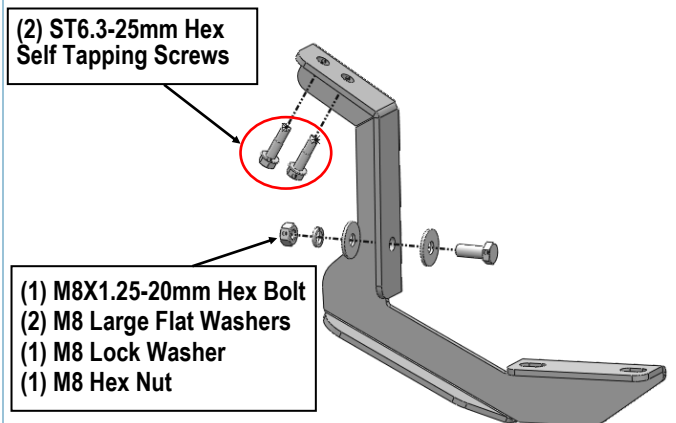
(Fig 3) Passenger Front/Center Mounting Bracket Installation



(Fig 4) Passenger Front/Center Mounting Bracket Installed on Body Panel

STEP 6

Move to the Passenger Side Rear Mounting Location. Attach Passenger Rear Mounting Bracket to vehicle with (2) ST6.3-25mm Hex Self Tapping Screws, (1) M8X1.25-20mm Hex Bolt, (2) M8 Large Flat Washers, (1) M8 Lock Washer and (1) M8 Hex Nut, (Fig 5). Don't fully tighten hardware at this time.

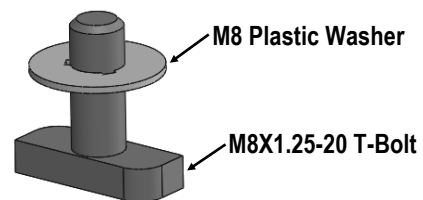


(Fig 5) Passenger Rear Mounting Bracket Installation

STEP 7

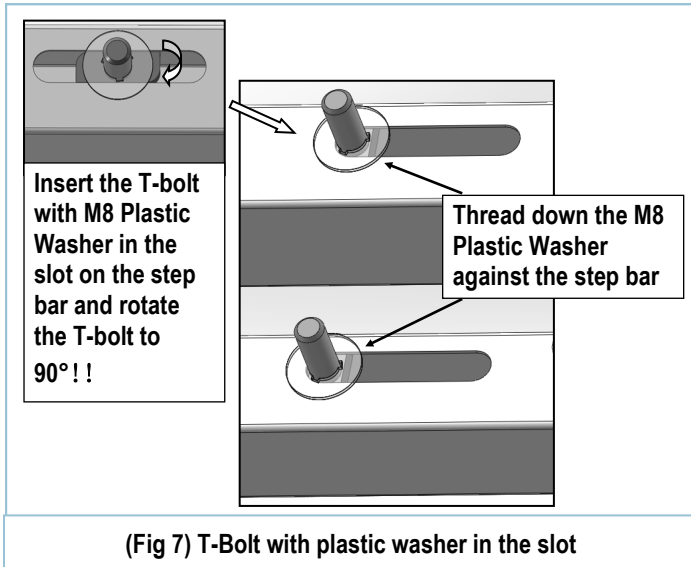
Once all (3) brackets have been installed, select (4) M8X1.25-20mm T-Bolts, thread (1) M8 Plastic Washer on each T-Bolt, (Fig 6). Install the (4) M8X1.25-20mm T-Bolts with plastic washers in the slots on the assembled Passenger side step bar. Rotate the T-Bolts to 90 degree, thread down the M8 Plastic Washers against the step bar (Fig 7).

NOTE: The Plastic Washer is designed to keep the T-Bolt in place to avoid falling into the tube during installation.



(Fig 6) Thread (1) M8 Plastic Washer on each T-Bolt Before Inserting into the slot !!!

iArmor®



STEP 9

Level and adjust the assembled Step Bar properly and tighten all hardware.

Move to the other side of the vehicle. Repeat **Steps 2-8** for the other Side Step Bar installation.

Attention

Do periodic inspections to the installation to make sure that all hardware is secure and tight.

In order to protect your bars/boards, please use mild soap/non-abrasive products for cleaning only.

STEP 8

Attach the Assembled Passenger Side Step Bar onto the Mounting Brackets with (4) M8 Plastic Washers, (4) M8X1.25-20mm T-Bolts, (4) M8 Large Flat Washers, (4) M8 Nylon Lock Nuts, (**Fig 8**). Do not fully tighten hardware at this time.

NOTE: the Passenger Front & Center Mounting Brackets are located under pedals. Slide (2) M6X1-20mm Square Head Bolts into the channels at the bottom of (2) pedals (**Fig 9**). And secure the Passenger Front and Center Mounting Brackets to the pedals with (2) M6 Large Flat Washers and (2) M6 Nylon Lock Nuts, (**Fig 8**). Do not fully tighten hardware at this time.

iArmor®

