

iArmor®

IARMOR EDGE™

PART#: IA-N010H

BEFORE INSTALLATION

REMOVE CONTENTS FROM BOX. VERIFY ALL PARTS ARE PRESENT. READ INSTRUCTIONS CAREFULLY BEFORE STARTING INSTALLATION. ASSISTANCE IS RECOMMENDED. THANK YOU FOR CHOOSING OUR PRODUCT!

*ROCKER PANEL MOUNT

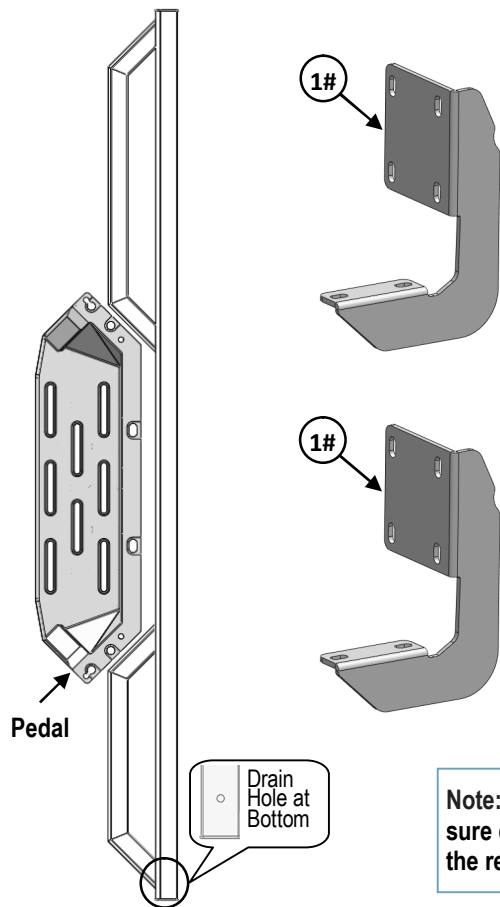
*DRILLING NOT REQUIRED

Torque Value

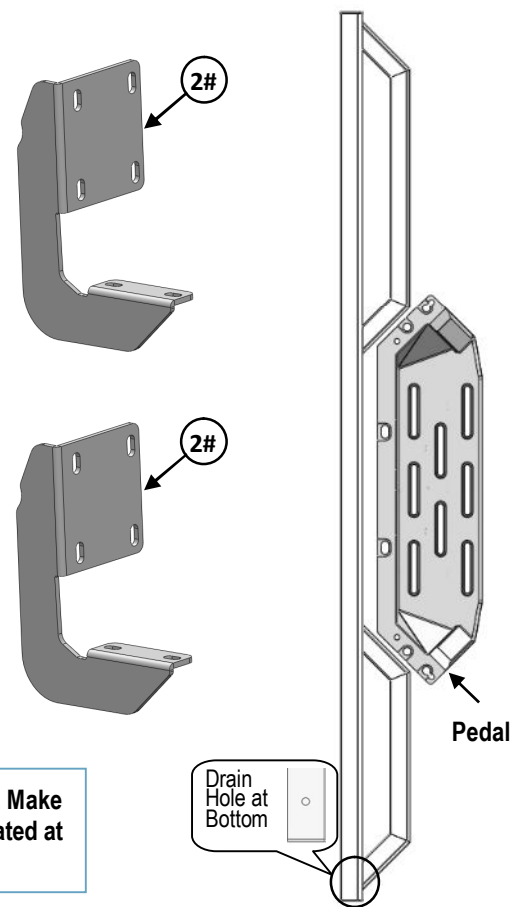
Fastener Size	Tightening Torque (ft-lbs)	Required
6mm	6-7	X
8mm	16-18	√
10mm	31-32	X
12mm	56-58	X
14mm	92-94	X

PART LIST

Driver Side Step Bar



Passenger Side Step Bar







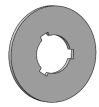


Note: Step bars are NOT interchangeable. Make sure drain holes at the bottom will be located at the rear direction of the step bars.




Customer Support: info@iarmorauto.com

iArmor[®]

Hardware Package A (For Brackets & Bars Installation)					
Item	QTY	Description	Item	QTY	Description
1#	2	Driver Front / Rear Mounting Brackets	6#	16	M8X1.5 Nylon Lock Nuts
2#	2	Passenger Front / Rear Mounting Brackets	7#	6	M8 Clip Nuts
3#	14	M8X1.25-25 Hex Bolts	8#	8	M8X1.25-20 T-Bolts
4#	30	M8 Large Flat Washers	9#	8	M8 Plastic Washers
5#	8	M8 Lock Washers			

						
3 #	4 #	5 #	6 #	7 #	8 #	9 #

Hardware Package B (For Step Pedals Installation)					
Item	QTY	Description	Item	QTY	Description
1#	12	M8X1.25-25 Hex Bolts	3#	12	M8 Lock Washers
2#	12	M8 Large Flat Washers			

		
1#	2#	3#

Customer Support: info@iarmorauto.com

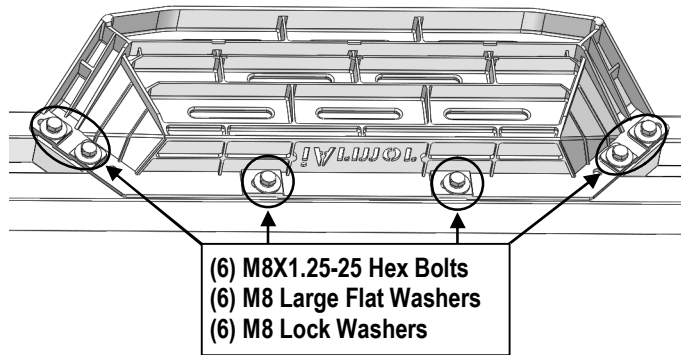
iArmor[®]

The instruction here is for your reference only. We strongly recommend the professional installer for best result. We are not responsible for any damage caused by the installation.

STEP 1

Install (2) Pedals onto the step bars with (12) M8X1.25-25mm Hex Bolts, (12) M8 Large Flat Washers and (12) M8 Lock Washers.

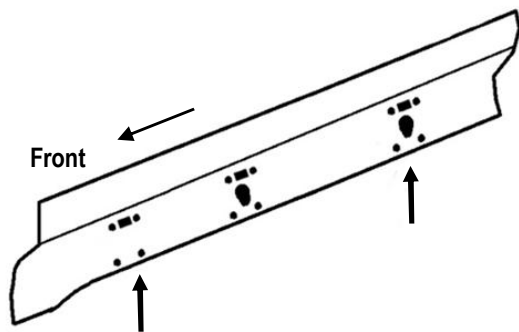
IMPORTANT: Don't punch the pedal with any metal hammer within pedal installation, or the pedal will be damaged.



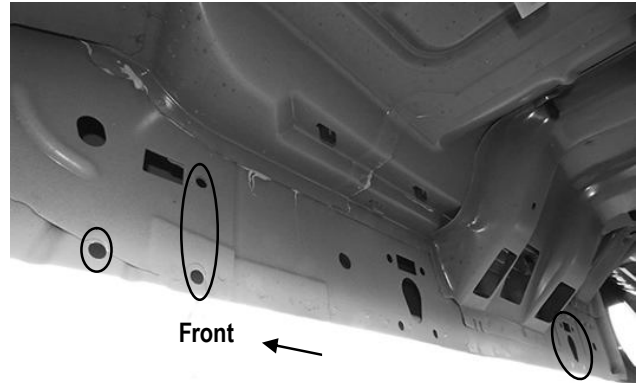
STEP 2

Starting from the passenger side of the vehicle, locate the passenger side mounting locations, (Figs 1 & 2).

NOTE: The mounting holes may be covered by sealing tapes or insulation, remove as required.



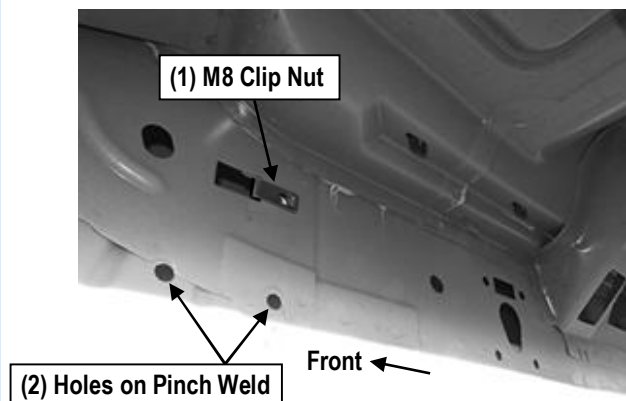
(Fig 1) Passenger Side Mounting Locations



(Fig 2) Passenger Side Mounting Locations

STEP 3

Only (3) holes will be used on Passenger Side Front Mounting Location, (1) hole on body panel, (2) holes on pinch weld. Insert (1) M8 Clip Nut into the rectangular opening with the nut towards the inside. Line up the threaded nut on the clip with the round hole toward the rear, (Fig 3).

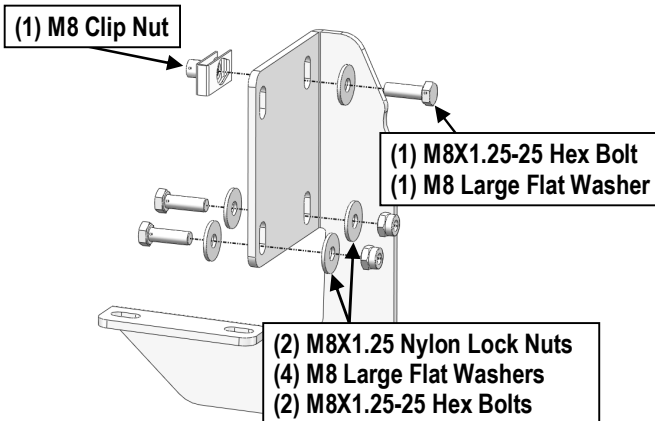


(Fig 3) M8 Clip Nut Installed
(On Passenger Front Mounting Location)

iArmor[®]

STEP 4

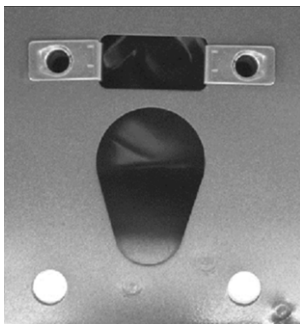
Attach the Passenger Front Mounting Bracket onto the installed M8 Clip Nut with (1) M8X1.25-25 Hex Bolt and (1) M8 Large Flat Washer, (Fig 4). Secure the lower mounting holes on the bracket to the pinch weld with (2) M8X1.25-25 Hex Bolts, (4) M8 Large Flat Washers and (2) M8X1.25 Nylon Lock Nuts, (Fig 4). Do not fully tighten hardware at this time.



(Fig 4) Passenger Front Mounting Bracket Installation

STEP 5

Move to the Passenger Side Rear Mounting Location, (Fig 5). Install (2) M8 Clip Nuts as shown. Repeat **Step 4** to attach the Passenger Rear Mounting Bracket to the vehicle. Do not fully tighten hardware at this time.

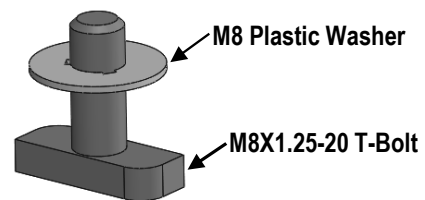


(Fig 5) M8 Clip Nut Installed
(On Passenger Rear Mounting Location)

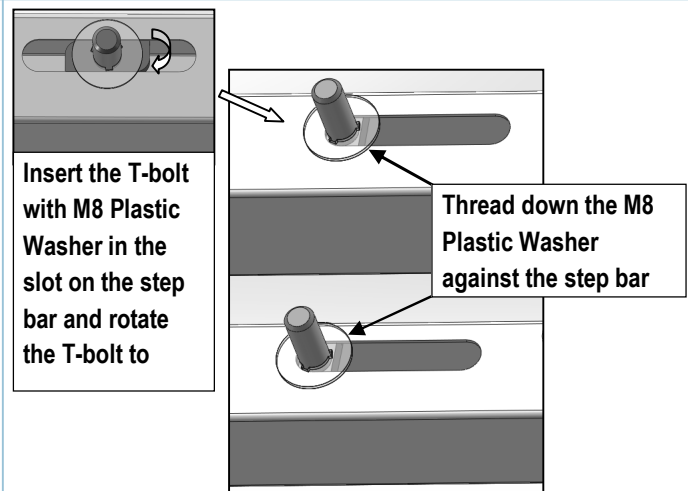
STEP 6

Once all (2) brackets have been installed, select (4) M8X1.25-20mm T-Bolts, thread (1) M8 Plastic Washer on each T-Bolt, (Fig 6). Install the (4) M8X1.25-20mm T-Bolts with plastic washers in the slots on the assembled step bar. Rotate the T-Bolts to 90 degree, thread down the M8 Plastic Washers against the step bar (Fig 7).

NOTE: The Plastic Washer is designed to keep the T-Bolt in place to avoid falling into the tube during installation.



(Fig 6) Thread (1) M8 Plastic Washer on each T-Bolt Before Inserting into the slot !!!



(Fig 7) T-Bolt with plastic washer in the slot

STEP 7

Attach the Assembled Passenger Side Step Bar onto the Mounting Brackets with (4) M8 Plastic Washers, (4) M8X1.25-20mm T-Bolts, (4) M8 Large Flat Washers, (4) M8 Nylon Lock Nuts, (Fig 8). Do not fully tighten hardware at this time.

iArmor®

STEP 8

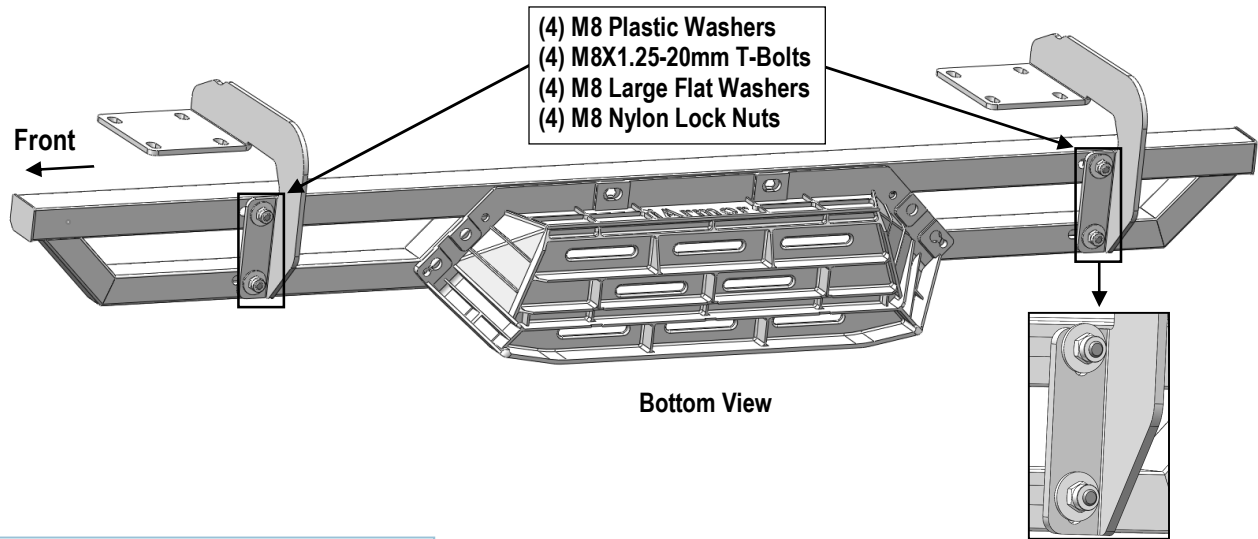
Level and adjust the assembled Step Bar properly and tighten all hardware.

Move to the other side of the vehicle. Repeat **Steps 2-7** for the other Side Step Bar installation.

Attention

Do periodic inspections to the installation to make sure that all hardware is secure and tight.

In order to protect your bars/boards, please use mild soap/non-abrasive products for cleaning only.



(Fig 8) Passenger Side Step Bar Installation