

iArmor®

IARMOR EDGE™

PART#: IA-N925H

BEFORE INSTALLATION

REMOVE CONTENTS FROM BOX. VERIFY ALL PARTS ARE PRESENT. READ INSTRUCTIONS CAREFULLY BEFORE STARTING INSTALLATION. ASSISTANCE IS RECOMMENDED. THANK YOU FOR CHOOSING OUR PRODUCT!

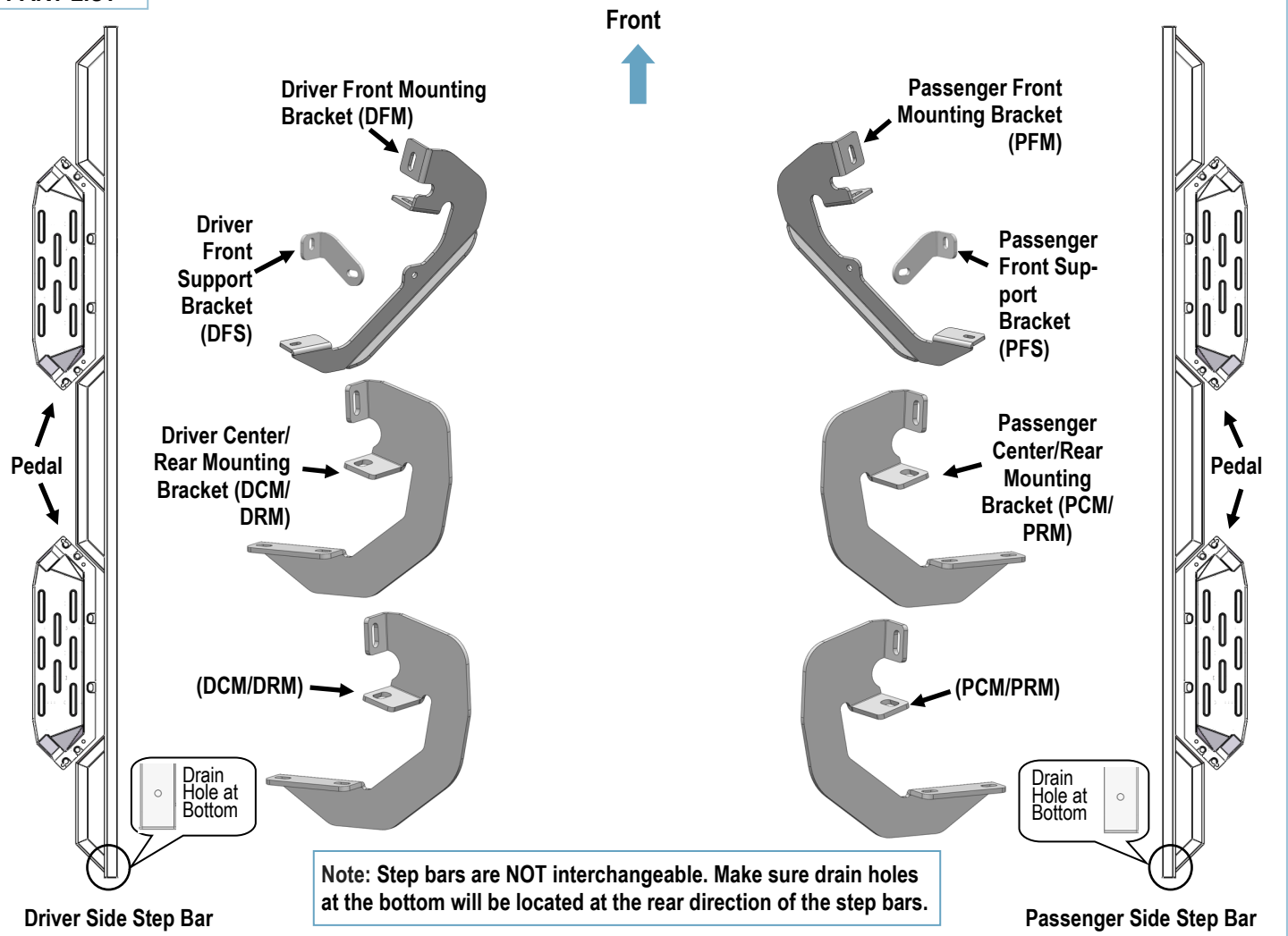
*ROCKER PANEL MOUNT

*DRILLING NOT REQUIRED

Torque Value

Fastener Size	Tightening Torque (ft-lbs)	Required
6mm	6-7	√
8mm	16-18	√
10mm	31-32	X
12mm	56-58	X
14mm	92-94	X

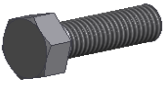
PART LIST





Customer Support: info@iarmorauto.com

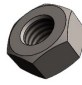
iArmor®

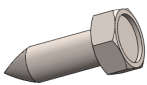
Hardware Package A (For Brackets & Bars Installation)					
Item	QTY	Description	Item	QTY	Description
1#	14	M8X1.25-25mm Hex Bolts	7#	2	M6 Large Flat Washers
2#	32	M8 Large Flat Washers	8#	2	M6X1 Nylon Lock Nuts
3#	14	M8 Lock Washers	9#	10	M8X1.25-20 T-Bolts
4#	8	M8X1.25 Hex Nuts	10#	10	M8 Plastic Washers
5#	6	ST8X25mm Hex Self Tapping Screws	11#	10	M8 Nylon Lock Nuts
6#	2	M6X1-20 Square Head Bolts			

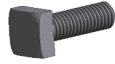

1 #



2 #



3 #



4 #



5 #



6 #


7 #

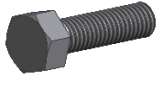

8 #



9 #



10 #


11 #

Hardware Package B (For Step Pedals Installation)					
Item	QTY	Description	Item	QTY	Description
1#	24	M8X1.25-25 Hex Bolts	3#	24	M8 Lock Washers
2#	24	M8 Large Flat Washers			


1#


2#


3#

Customer Support: info@iarmorauto.com

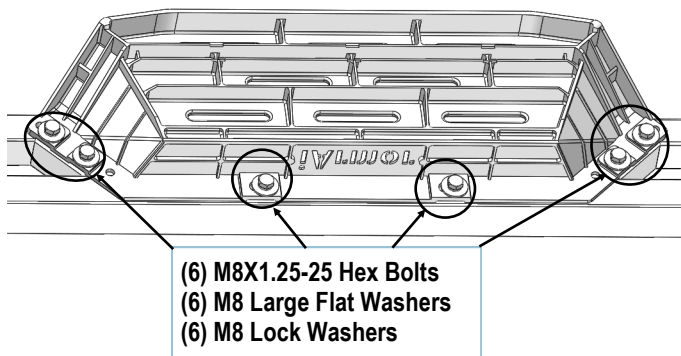
iArmor®

The instruction here is for your reference only. We strongly recommend the professional installer for best result. We are not responsible for any damage caused by the installation.

STEP 1

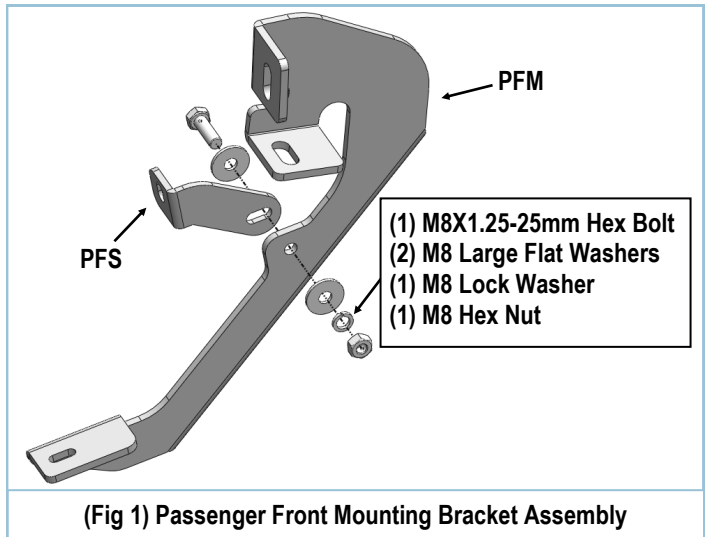
Install (4) Pedals onto the step bars with (24) M8X1.25-25mm Hex Bolts, (24) M8 Large Flat Washers and (24) M8 Lock Washers.

IMPORTANT: Don't punch the pedal with any metal hammer within pedal installation, or the pedal will be damaged.



STEP 2

Start the installation from the Passenger Side of the vehicle. Assemble Passenger Front Mounting Bracket (**PFM**) and Passenger Front Support Bracket (**PFS**) with (1) M8X1.25-25mm Hex Bolt, (2) M8 Large Flat Washers, (1) M8 Lock Washer and (1) M8 Hex Nut, (**Fig 1**). Do not fully tighten hardware at this time.



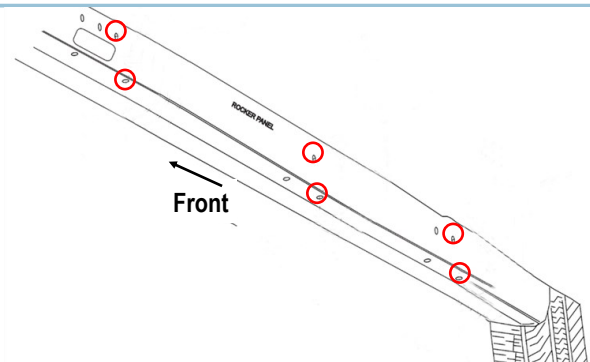
STEP 3

Identify the Passenger Side mounting locations along the inner side of the rocker panel, remove the tapes on the inside of rocker panel that covers the mounting holes, if equipped, (**Fig 2**).

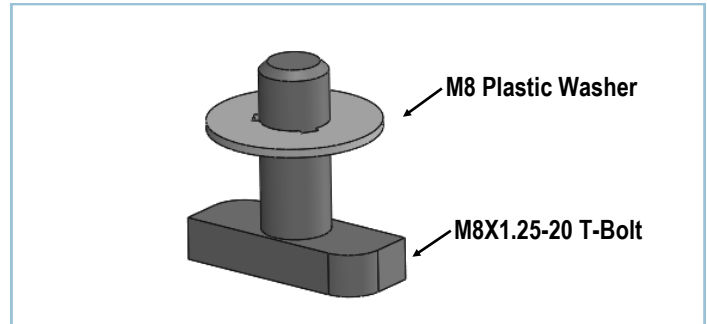
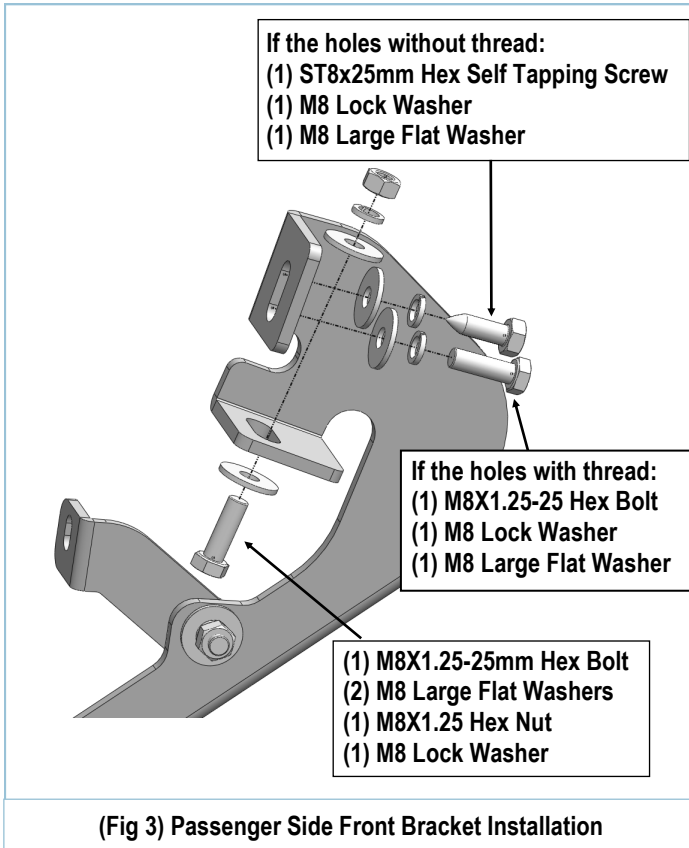
NOTE: Use the ST8x25mm Hex Self Tapping Screw to replace the M8X1.25-25mm Hex Bolt if the upper mounting factory holes are without thread, (**Fig 3**).

Secure the lower mounting holes on passenger side (2) mounting brackets to underside of rocker panel as shown on **Fig 3**. Do not fully tighten hardware at this time.

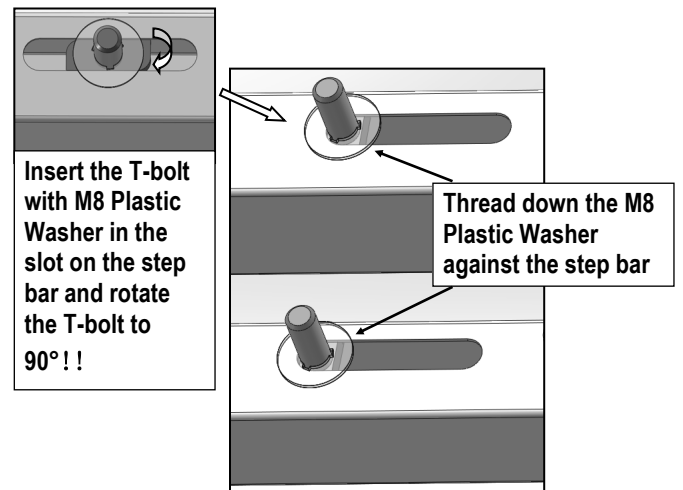
Repeat to install Passenger Center Bracket (**PCM**) and Passenger Rear Bracket (**PRM**) to the rocker panel.



iArmor[®]



(Fig 4) Thread (1) M8 Plastic Washer on each T-Bolt Before Inserting into the slot !!!



(Fig 5) T-Bolt with plastic washer in the slot

STEP 4

Once all (3) brackets have been installed, select (5) M8X1.25-20mm T-Bolts, thread (1) M8 Plastic Washer on each T-Bolt, (Fig 4). Install the (5) M8X1.25-20mm T-Bolts with plastic washers in the slots on the assembled Passenger side step bar. Rotate the T-Bolts to 90 degree, thread down the M8 Plastic Washers against the step bar (Fig 5).

NOTE: The Plastic Washer is designed to keep the T-Bolt in place to avoid falling into the tube during installation.

STEP 5

Attach the Assembled Passenger Side Step Bar onto the Mounting Brackets with (5) M8 Plastic Washers, (5) M8X1.25-20mm T-Bolts, (5) M8 Large Flat Washers, (5) M8 Nylon Lock Nuts, (Fig 6). Do not fully tighten hardware at this time.

NOTE: Passenger Front Mounting Brackets are located under the front pedal. Slide (1) M6X1-20mm Square Head Bolt into the channel at the bottom of front pedal (Fig 7). And secure the Passenger Front Mounting Bracket to the pedal with (1) M6 Large Flat Washer and (1) M6 Nylon Lock Nut, (Fig 6). Do not fully tighten hardware at this time.

iArmor®

STEP 6

Level and adjust the assembled Step Bar properly and tighten all hardware.

Move to the other side of the vehicle. Repeat **Steps 2-5** for the other Side Step Bar installation.

Attention

Do periodic inspections to the installation to make sure that all hardware is secure and tight.

In order to protect your bars/boards, please use mild soap/non-abrasive products for cleaning only.

