

# iArmor<sup>®</sup>

## IARMOR EDGE™

PART#: IA-N923H

### BEFORE INSTALLATION

REMOVE CONTENTS FROM BOX. VERIFY ALL PARTS ARE PRESENT. READ INSTRUCTIONS CAREFULLY BEFORE STARTING INSTALLATION. ASSISTANCE IS RECOMMENDED. THANK YOU FOR CHOOSING OUR PRODUCT!

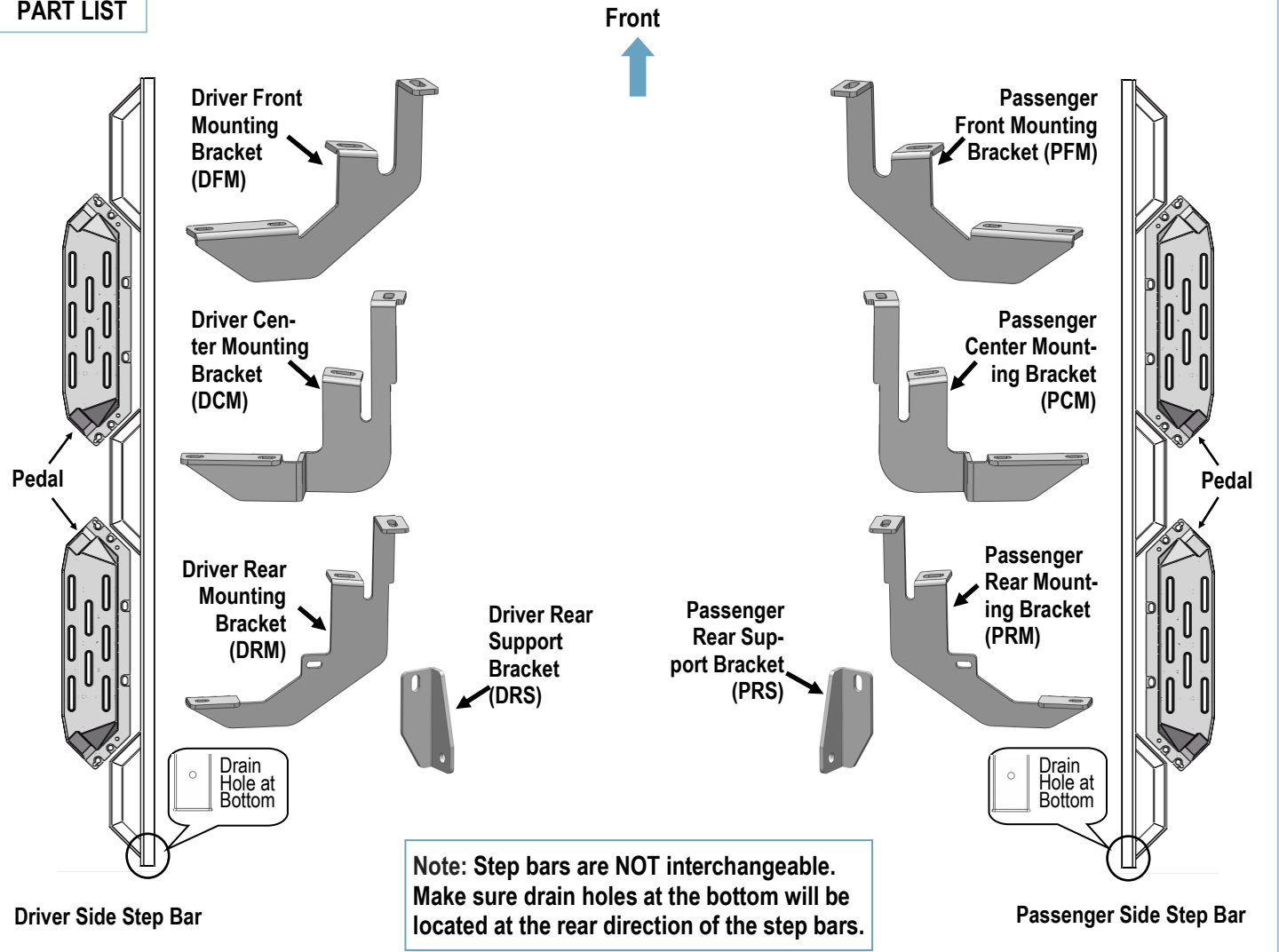
\*ROCKER PANEL MOUNT

\*DRILLING NOT REQUIRED

### Torque Value

Fastener Size	Tightening Torque (ft-lbs)	Required
6mm	6-7	√
8mm	16-18	√
10mm	31-32	X
12mm	56-58	X
14mm	92-94	X

### PART LIST

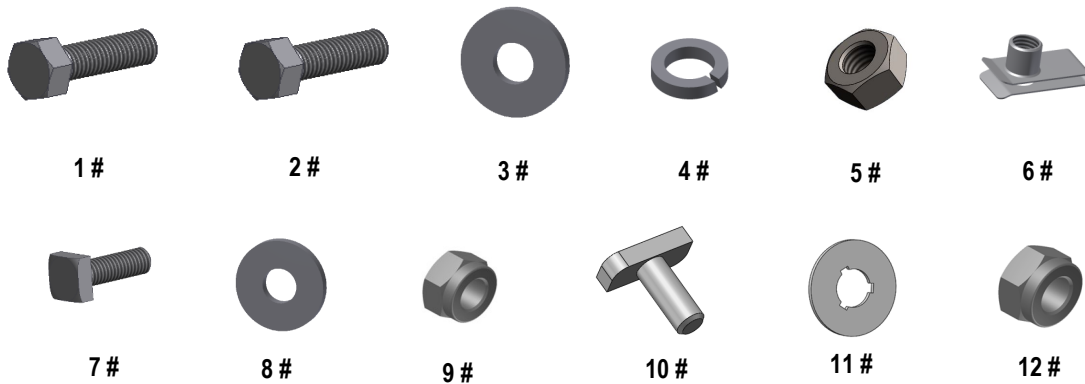


Customer Support: [info@iarmorauto.com](mailto:info@iarmorauto.com)

# iArmor<sup>®</sup>

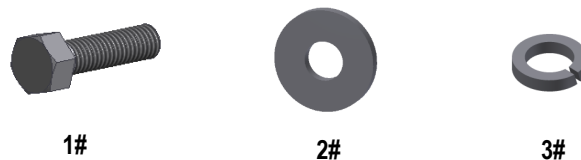
## Hardware Package A (For Brackets & Bars Installation)

Item	QTY	Description	Item	QTY	Description
1#	2	M8X1.25-35 Hex Bolts	7#	2	M6X1-20 Square Head Bolts
2#	12	M8X1.25-25 Hex Bolts	8#	2	M6 Large Flat Washers
3#	32	M8 Large Flat Washers	9#	2	M6 Nylon Lock Nuts
4#	14	M8 Lock Washers	10#	10	M8X1.25-20 T-Bolts
5#	8	M8 Hex Nuts	11#	10	M8 Plastic Washers
6#	6	M8 Clip Nuts	12#	10	M8X1.25 Nylon Lock Nuts



## Hardware Package B (For Step Pedals Installation)

Item	QTY	Description	Item	QTY	Description
1#	24	M8X1.25-25 Hex Bolts	3#	24	M8 Lock Washers
2#	24	M8 Large Flat Washers			



Customer Support: [info@iarmorauto.com](mailto:info@iarmorauto.com)

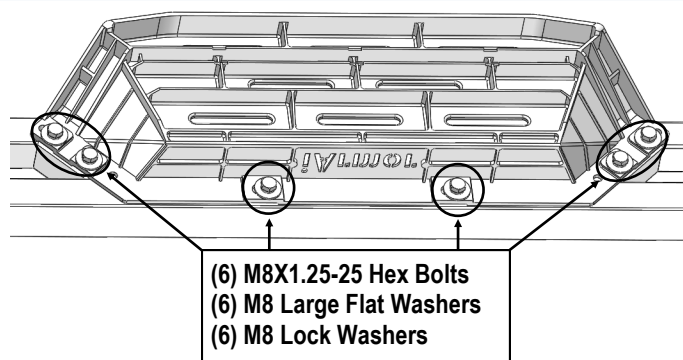
# iArmor®

The instruction here is for your reference only. We strongly recommend the professional installer for best result. We are not responsible for any damage caused by the installation.

## STEP 1

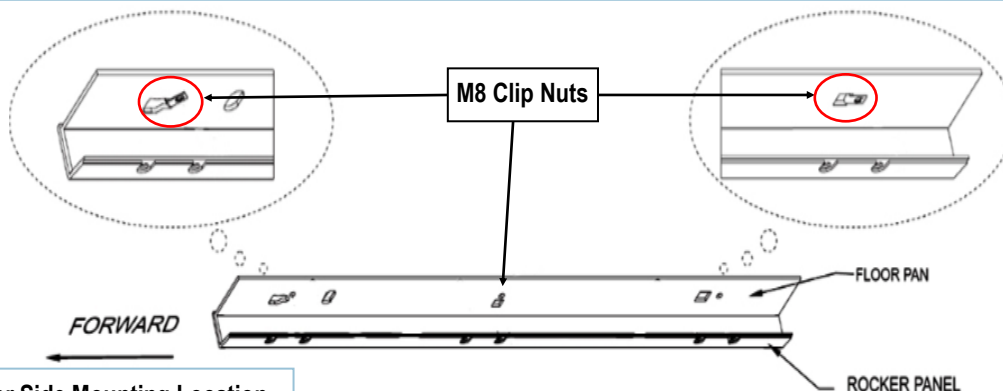
Install (4) Pedals onto the step bars with (24) M8X1.25-25mm Hex Bolts, (24) M8 Large Flat Washers and (24) M8 Lock Washers.

**IMPORTANT:** Don't punch the pedal with any metal hammer within pedal installation, or the pedal will be damaged.



## STEP 2

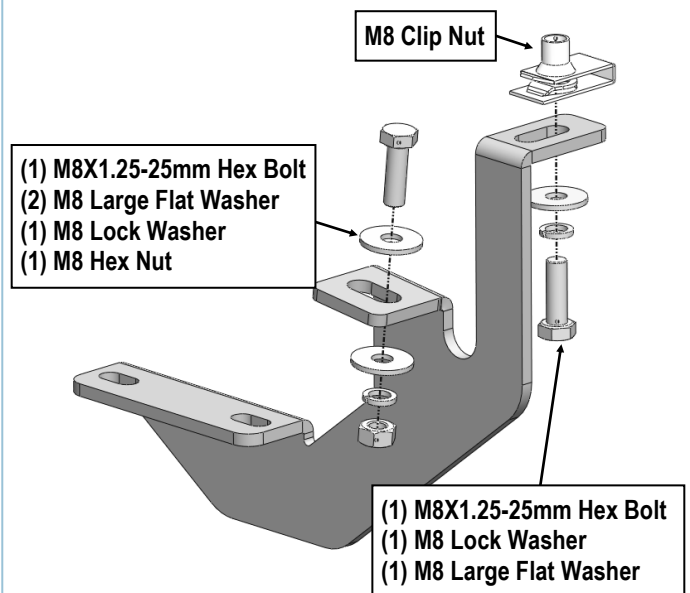
Start the installation under the passenger side of the vehicle. Locate the pair of holes at the bottom of the rocker panel and the square hole next to the round hole at the bottom of the floor pan. Insert M8 Clip Nuts over the round hole through square hole on floor plan, (Fig 1).



(Fig 1) Passenger Side Mounting Location

## STEP 3

Start from Passenger Front Mounting Location. Select Passenger Front Mounting Bracket (PFM). Attach the Mounting Bracket to the installed M8 Clip Nut with (1) M8X1.25-25mm Hex Bolt, (1) M8 Lock Washers and (1) M8 Large Flat Washer; to the rocker panel with (1) M8X1.25-25mm Hex Bolt, (2) M8 Large Flat Washers, (1) M8 Lock Washer and (1) M8 Hex Nut, (Fig 2). Do not fully tighten hardware at this time.

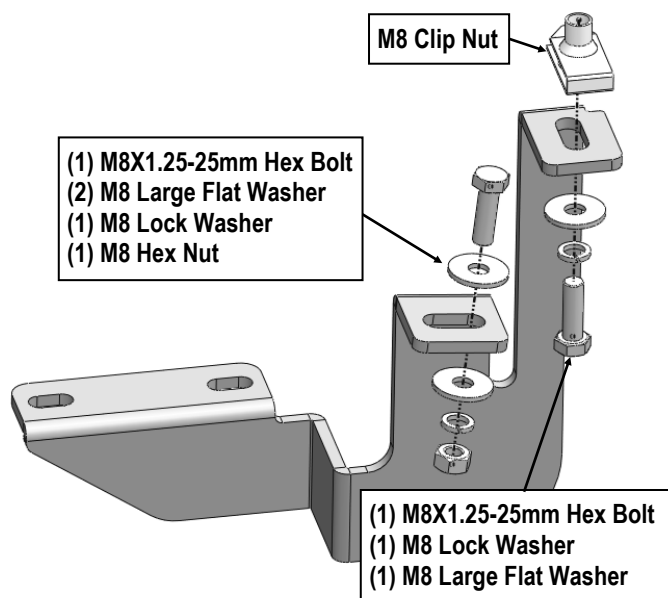


(Fig 2) Passenger Front Mounting Bracket Installation

# iArmor®

## STEP 4

Move to Passenger Center Mounting Bracket. Repeat **Steps 2-3** to install Passenger Center Mounting (**PCM**), (**Fig 3**). Do not fully tighten hardware at this time.

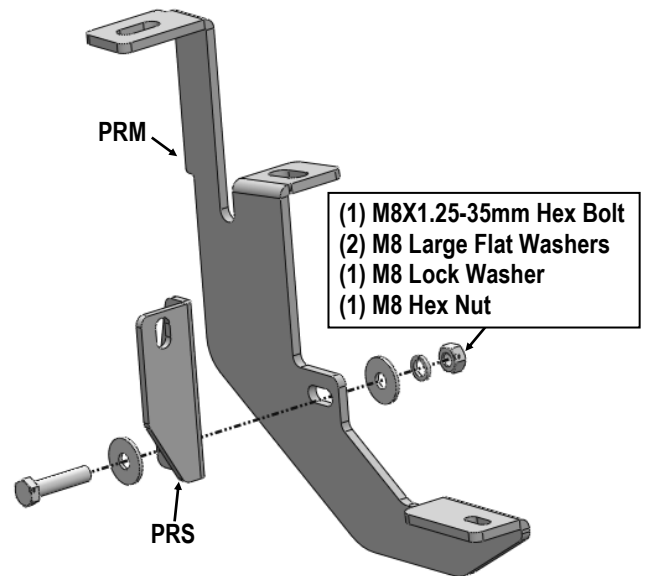


(Fig 3) Passenger Center Mounting Bracket Installation

## STEP 5

Move to the Passenger Side Rear mounting location. Select (1) Passenger Rear Mounting Bracket (**PRM**) and (1) Passenger Rear Support Bracket (**PRS**). Assemble with (1) M8X1.25-35mm Hex Bolt, (2) M8 Large Flat Washers, (1) M8 Lock Washer and (1) M8 Hex Nut, (**Fig 4**). Do not fully tighten hardware at this time.

Repeat for driver side rear mounting brackets installation.

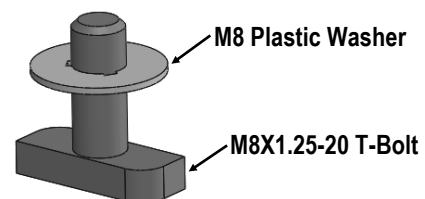


(Fig 4) Passenger Rear Brackets Assembly

## STEP 6

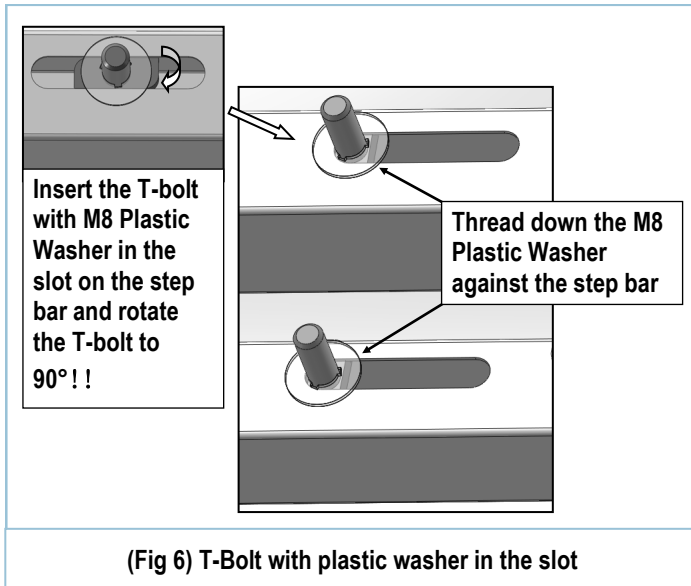
Once all (3) brackets have been installed, select (5) M8X1.25-20mm T-Bolts, thread (1) M8 Plastic Washer on each T-Bolt, (**Fig 5**). Install the (5) M8X1.25-20mm T-Bolts with plastic washers in the slots on the assembled step bar. Rotate the T-Bolts to 90 degree, thread down the M8 Plastic Washers against the step bar (**Fig 6**).

**NOTE:** The Plastic Washer is designed to keep the T-Bolt in place to avoid falling into the tube during installation.



(Fig 5) Thread (1) M8 Plastic Washer on each T-Bolt Before Inserting into the slot !!!

# iArmor<sup>®</sup>



## STEP 8

Attach the Assembled Passenger Side Step Bar onto the Mounting Brackets with (5) M8 Plastic Washers, (5) M8X1.25-20mm T-Bolts, (5) M8 Large Flat Washers, (5) M8 Nylon Lock Nuts, (Fig 7). Do not fully tighten hardware at this time.

**NOTE:** Passenger Rear Mounting Bracket is located under (1) pedal. Slide (1) M6X1-20mm Square Head Bolt into the channel at the bottom of pedal (Fig 8). And secure the Passenger Rear Mounting Bracket to pedal with (1) M6 Large Flat Washer and (1) M6 Nylon Lock Nut, (Fig 7). Do not fully tighten hardware at this time.

## STEP 9

Level and adjust the assembled Step Bar properly and tighten all hardware.

Move to the other side of the vehicle. Repeat **Steps 2-8** for the other Side Step Bar installation.

### Attention

**Do periodic inspections to the installation to make sure that all hardware is secure and tight.**

**In order to protect your bars/boards, please use mild soap/non-abrasive products for cleaning only.**

# iArmor<sup>®</sup>

