

IARMOR EDGE™

PART#: IA-N311H

BEFORE INSTALLATION

REMOVE CONTENTS FROM BOX. VERIFY ALL PARTS ARE PRESENT. READ INSTRUCTIONS CAREFULLY BEFORE STARTING INSTALLATION. ASSISTANCE IS RECOMMENDED. THANK YOU FOR CHOOSING OUR PRODUCT!

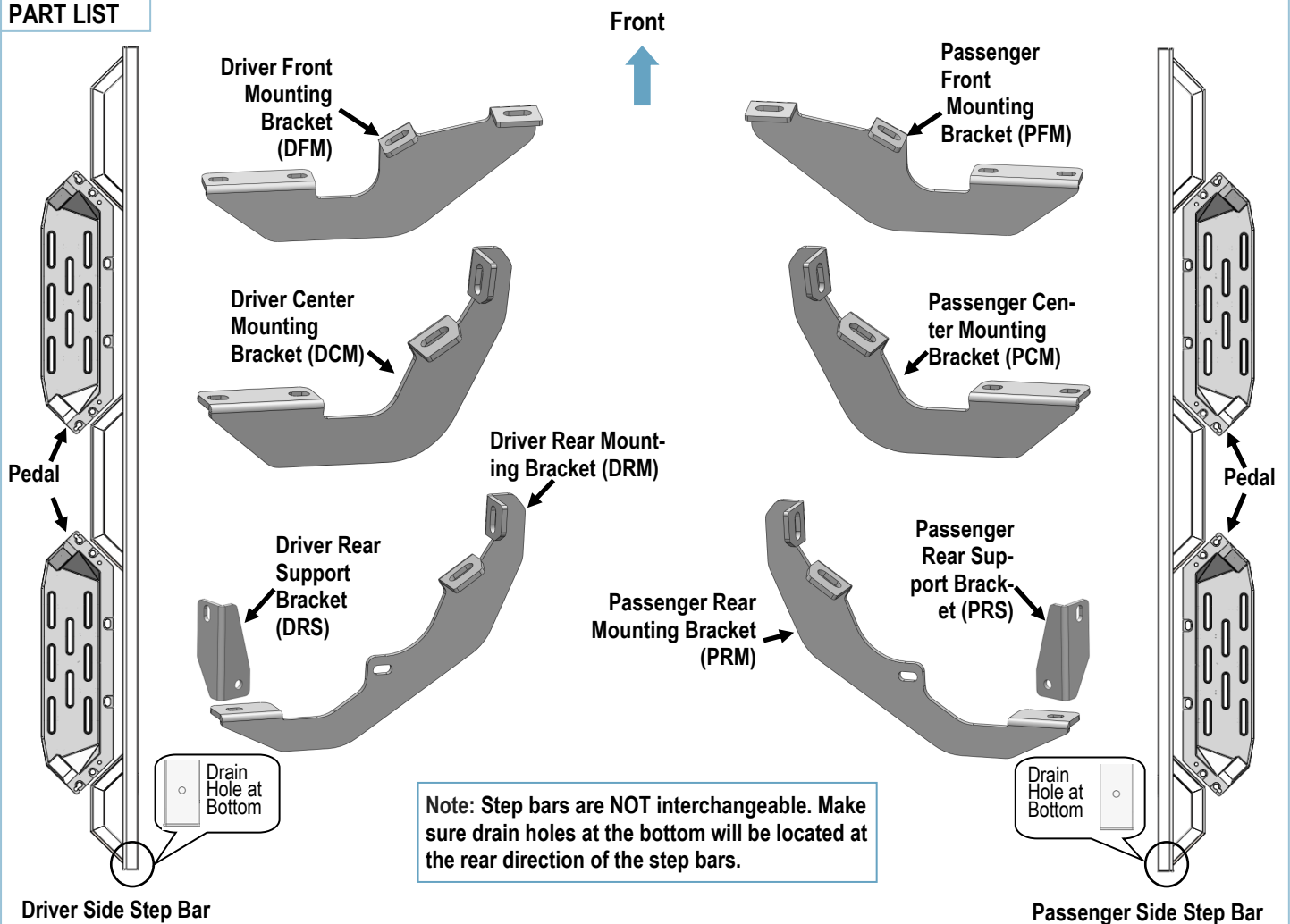
*ROCKER PANEL MOUNT

*DRILLING NOT REQUIRED

Torque Value

Fastener Size	Tightening Torque (ft-lbs)	Required
6mm	6-7	√
8mm	16-18	√
10mm	31-32	√
12mm	56-58	X
14mm	92-94	X

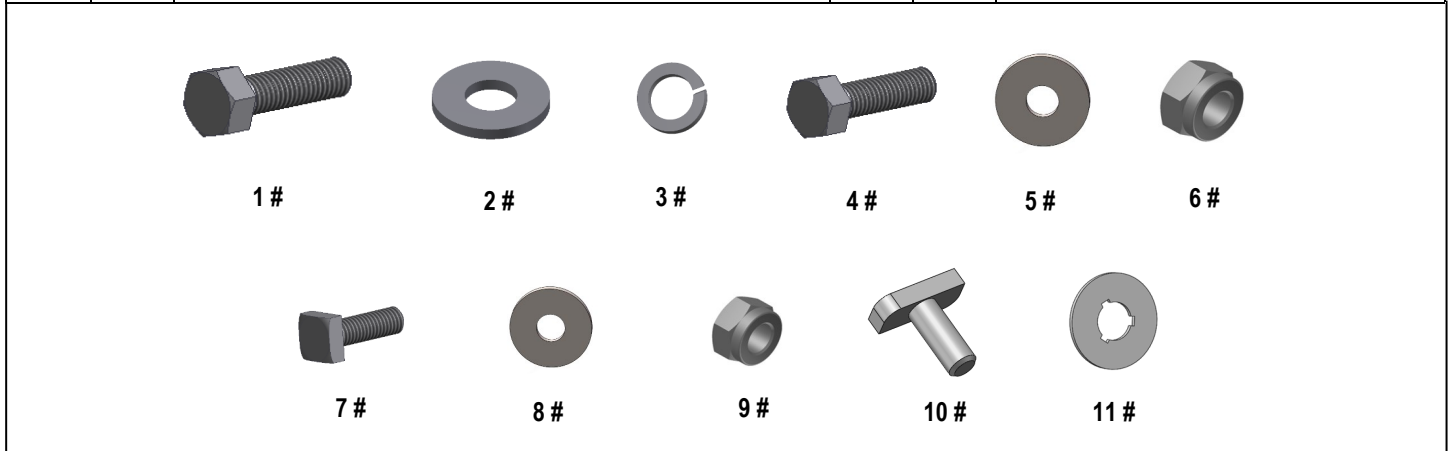
PART LIST



Customer Support: info@iarmorauto.com

iArmor®

Hardware Package A (For Brackets & Bars Installation)					
Item	QTY	Description	Item	QTY	Description
1#	12	M10X1.5-30mm Hex Bolts	7#	2	M6X1-20 Square Head Bolts
2#	12	M10 Flat Washers	8#	2	M6 Large Flat Washers
3#	12	M10 Lock Washers	9#	2	M6X1 Nylon Lock Nuts
4#	2	M8X1.25-25mm Hex Bolts	10#	10	M8X1.25-20 T Bolts
5#	14	M8 Large Flat Washers	11#	10	M8 Plastic Washers
6#	12	M8X1.25 Nylon Lock Nuts			



Hardware Package B (For Step Pedals Installation)					
Item	QTY	Description	Item	QTY	Description
1#	24	M8X1.25-25 Hex Bolts	3#	24	M8 Lock Washers
2#	24	M8 Large Flat Washers			

3D renderings of hardware items for Package B, labeled 1#, 2#, and 3#:

- 1# M8X1.25-25 Hex Bolt
- 2# M8 Large Flat Washer
- 3# M8 Lock Washer

Customer Support: info@iarmorauto.com

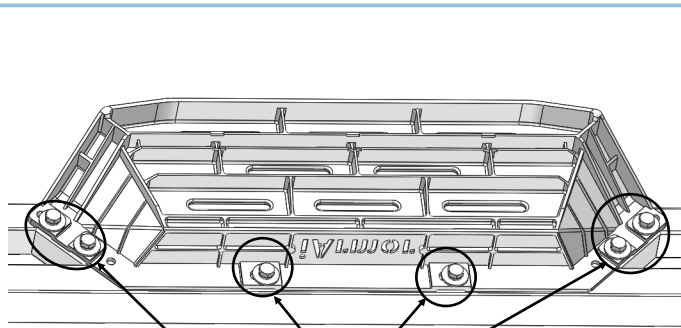
iArmor®

The instruction here is for your reference only. We strongly recommend the professional installer for best result. We are not responsible for any damage caused by the installation.

STEP 1

Install (4) Pedals onto the step bars with (24) M8X1.25-25mm Hex Bolts, (24) M8 Large Flat Washers and (24) M8 Lock Washers.

IMPORTANT: Don't punch the pedal with any metal hammer within pedal installation, or the pedal will be damaged.

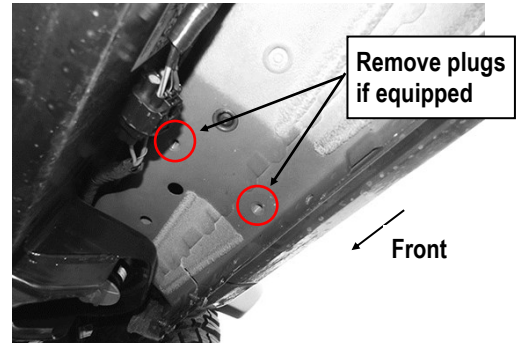


(6) M8X1.25-25 Hex Bolts
(6) M8 Large Flat Washers
(6) M8 Lock Washers

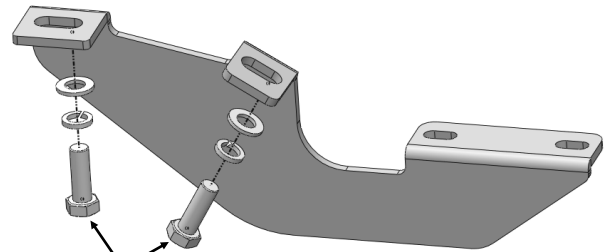
STEP 2

Start installation on the passenger side of the vehicle. Locate the threaded holes on Passenger Front Mounting Location. Remove the plastic plugs covering the holes if equipped, (Fig1).

Select the Passenger Front Mounting Bracket (PFM). Attach the Mounting Bracket to the front location with (2) M10X1.5-30 Hex Bolts, (2) M10 Lock Washers and (2) M10 Flat Washers, (Fig 2). Do not fully tighten hardware at this time.



(Fig 1) Passenger Side Front Mounting Location

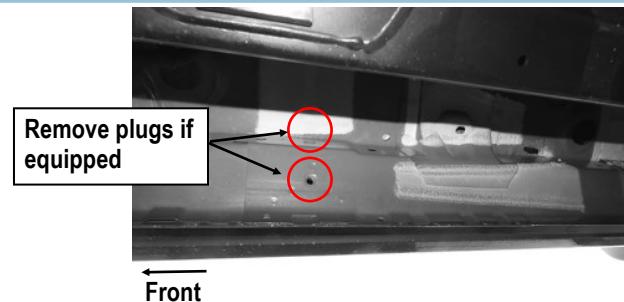


(2) M10X1.5-30mm Hex Bolts
(2) M10 Flat Washers
(2) M10 Lock Washers

(Fig 2) Passenger Front Mounting Bracket Installation

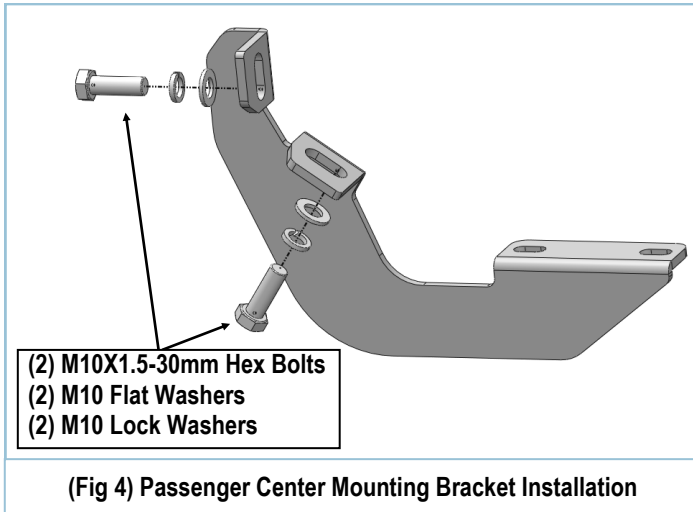
STEP 3

Move to the Passenger Side Center Mounting Location, (Fig 3). Repeat Step 2 to install the Passenger Center Mounting Bracket, (Fig 4). Do not fully tighten hardware at this time.



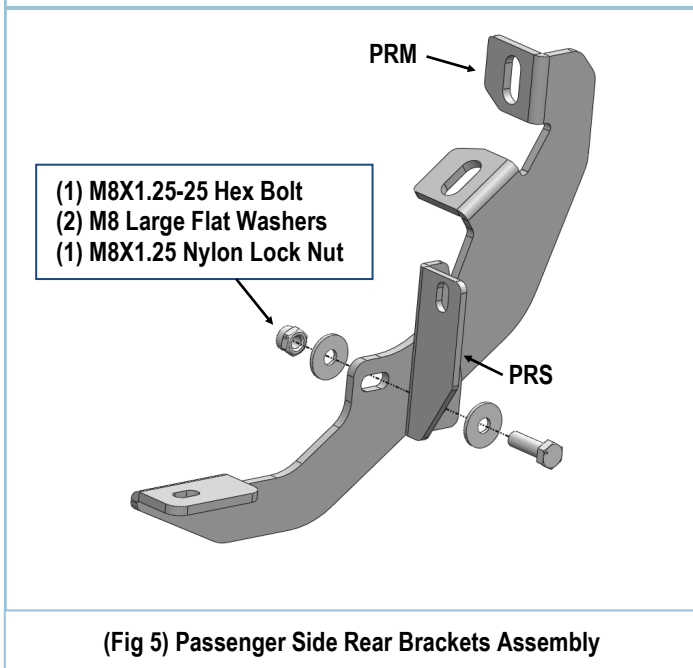
(Fig 3) Passenger Side Center Mounting Location

iArmor®



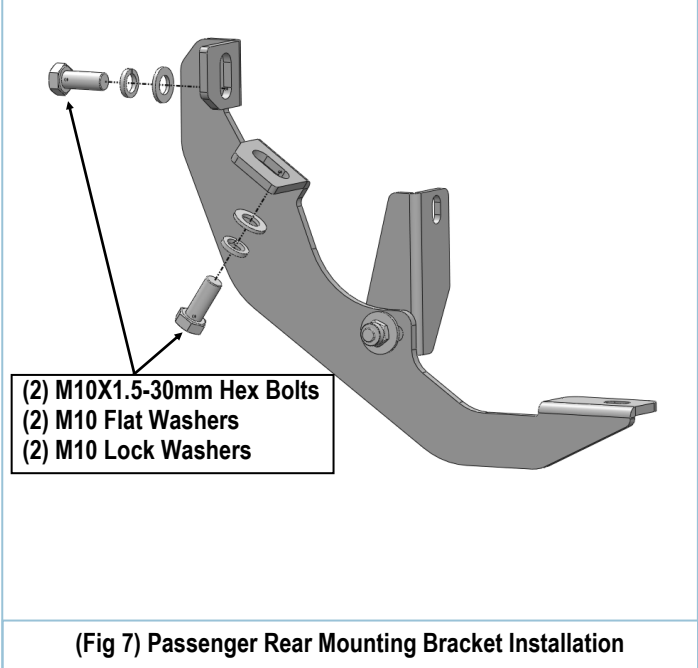
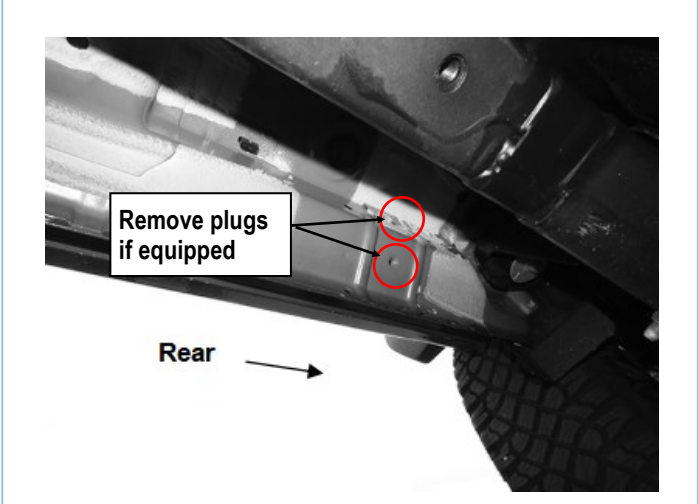
STEP 4

Assemble Passenger Side Rear Mounting Bracket (**PRM**) and Passenger Rear Support Bracket (**PRS**) with (1) M8X1.25-25 Hex Bolt, (2) M8 Large Flat Washers, (1) M8X1.25 Nylon Lock Nut, (**Fig 4**). Do not fully tighten hardware at this time.



STEP 5

Move to the Passenger Side Rear Mounting Location. Repeat **Step 2** to install the Passenger Rear Mounting Bracket with (2) M8X1.25-30mm Hex Bolts, (2) M8 Lock Washers and (2) M8 Large Flat Washers, (**Figs 6&7**) . Do not fully tighten hardware at this time.

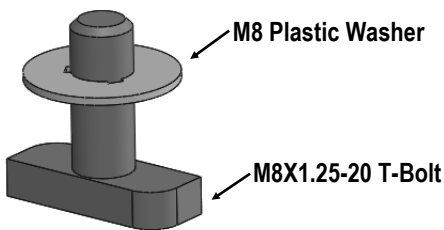


iArmor®

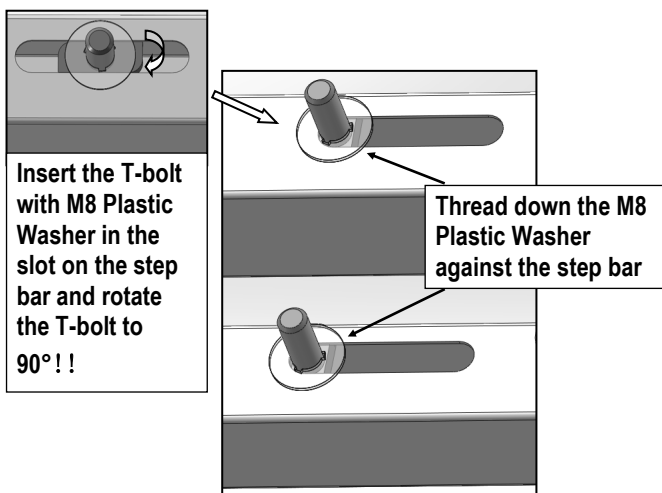
STEP 6

Once all (3) brackets have been installed, select (5) M8X1.25-20mm T-Bolts, thread (1) M8 Plastic Washer on each T-Bolt, (Fig 8). Install the (5) M8X1.25-20mm T-Bolts with plastic washers in the slots on the assembled Passenger side step bar. Rotate the T-Bolts to 90 degree, thread down the M8 Plastic Washers against the step bar (Fig 9).

NOTE: The Plastic Washer is designed to keep the T-Bolt in place to avoid falling into the tube during installation.



(Fig 8) Thread (1) M8 Plastic Washer on each T-Bolt Before Inserting into the slot !!!



(Fig 9) T-Bolt with plastic washer in the slot

STEP 7

Attach the Assembled Passenger Side Step Bar onto the Mounting Brackets with (5) M8 Plastic Washers, (5) M8X1.25-20mm T-Bolts, (5) M8 Large Flat Washers, (5) M8 Nylon Lock Nuts, (Fig 10). Do not fully tighten hardware at this time.

NOTE: Passenger Rear Mounting Bracket is located under rear pedal. Slide (1) M6X1-20mm Square Head Bolt into the channels at the bottom of rear pedal (Fig 11). And secure the Passenger Rear Mounting Bracket to the rear pedal with (1) M6 Large Flat Washer and (1) M6 Nylon Lock Nut, (Fig 10). Do not fully tighten hardware at this time.

STEP 8

Level and adjust the assembled Step Bar properly and tighten all hardware.

Move to the other side of the vehicle. Repeat **Steps 2-7** for the other Side Step Bar installation.

Attention

Do periodic inspections to the installation to make sure that all hardware is secure and tight.

In order to protect your bars/boards, please use mild soap/non-abrasive products for cleaning only.

iArmor[®]

