

iArmor®

IARMOR EDGE™

PART#: IA-N310H

BEFORE INSTALLATION

REMOVE CONTENTS FROM BOX. VERIFY ALL PARTS ARE PRESENT. READ INSTRUCTIONS CAREFULLY BEFORE STARTING INSTALLATION. ASSISTANCE IS RECOMMENDED. THANK YOU FOR CHOOSING OUR PRODUCT!

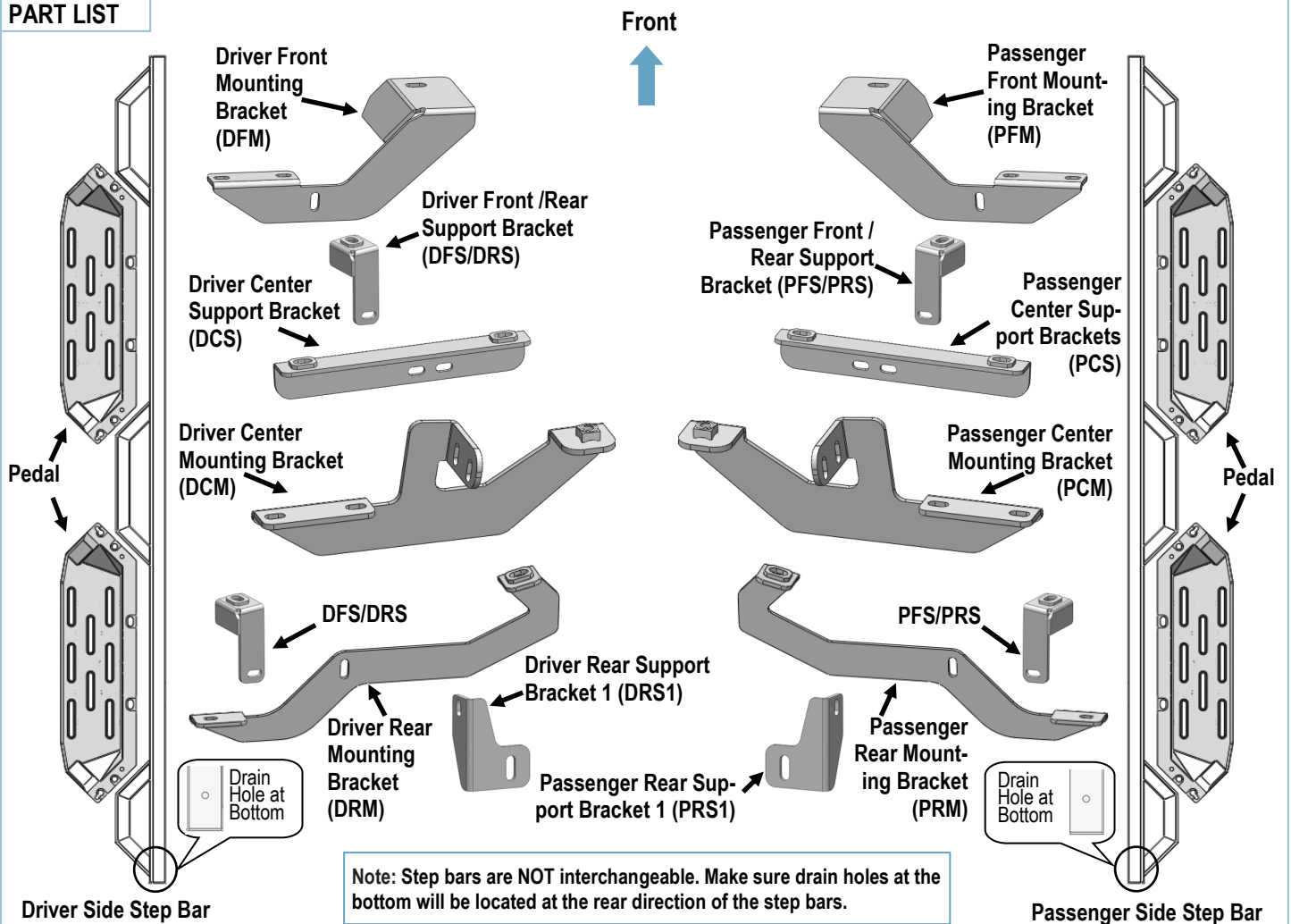
*ROCKER PANEL MOUNT

*DRILLING NOT REQUIRED

Torque Value

Fastener Size	Tightening Torque (ft-lbs)	Required
6mm	6-7	√
8mm	16-18	√
10mm	31-32	√
12mm	56-58	X
14mm	92-94	X

PART LIST



Customer Support: info@iarmorauto.com

iArmor®

Hardware Package A (For Brackets & Bars Installation)					
Item	QTY	Description	Item	QTY	Description
1#	2	Support Plates	11#	2	M8X1.25-30 Hex Bolts
2#	2	M10X35 Bolt Plates	12#	26	M8 Large Flat Washers
3#	2	M10X40 Bolt Plates	13#	8	M8 Lock Washers
4#	4	M10 Plastic Washers	14#	8	M8 Hex Nuts
5#	8	M10 J-Bolts	15#	2	M6X1-20 Square Head Bolts
6#	2	M10X60mm Hex Bolts	16#	2	M6 Large Flat Washers
7#	14	M10 Large Flat Washers	17#	2	M6X1 Nylon Lock Nuts
8#	14	M10 Lock Washers	18#	10	M8X1.25-20 T-Bolts
9#	14	M10 Hex Nuts	19#	10	M8 Plastic Washers
10#	6	M8X1.25-25 Hex Bolts	20#	10	M8 Nylon Lock Nuts

Hardware Package B (For Step Pedals Installation)					
Item	QTY	Description	Item	QTY	Description
1#	24	M8X1.25-25 Hex Bolts	3#	24	M8 Lock Washers
2#	24	M8 Large Flat Washers			

Customer Support: info@iarmorauto.com

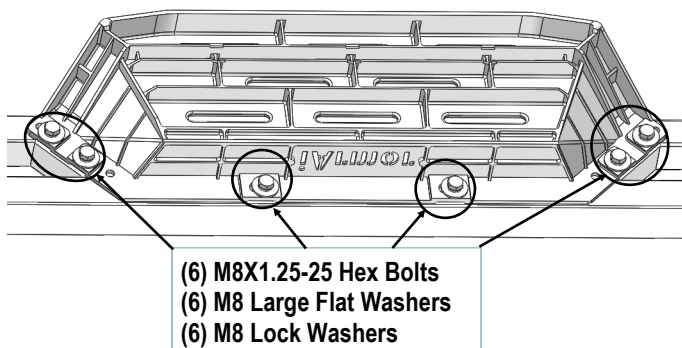
iArmor®

The instruction here is for your reference only. We strongly recommend the professional installer for best result. We are not responsible for any damage caused by the installation.

STEP 1

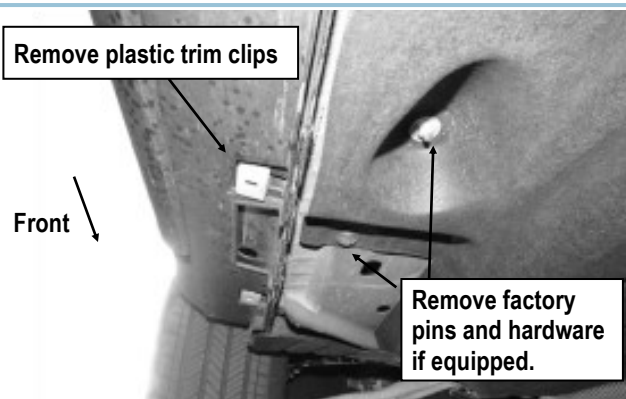
Install (4) Pedals onto the step bars with (24) M8X1.25-25mm Hex Bolts, (24) M8 Large Flat Washers and (24) M8 Lock Washers.

IMPORTANT: Don't punch the pedal with any metal hammer within pedal installation, or the pedal will be damaged.



STEP 2

Start the installation from Driver Side Mounting Locations. Remove the large plastic cover on the bottom of the floor panel if equipped, (Fig 1). Determine which plastic clips need to be removed. Carefully remove only the plastic clips for installation.



(Fig 1) Driver Side Front Mounting Location

STEP 3

Locate the Driver Side Front Mounting Location, (Fig 2).

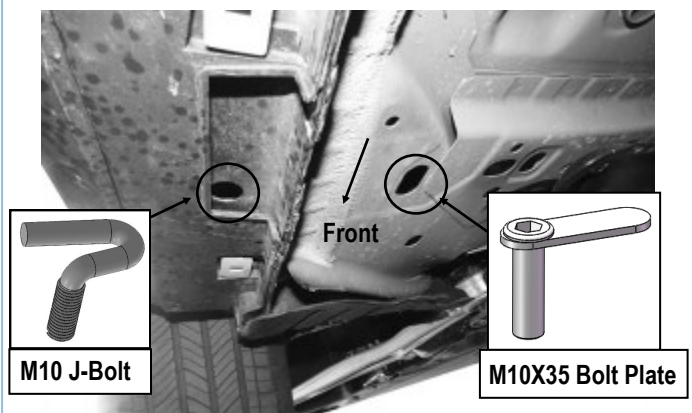
Insert (1) M10X35 Bolt Plate into the slot on the floor panel, (Fig 2). Thread (1) M10 Plastic Washer onto the Bolt Plate to hold it in place within the bracket installation.

Select (1) M10 J-Bolt, insert the tail of J-Bolt all the way up into the round hole on the side panel. Rotate and pull the J-Bolt outwards, keep the thread pointing to the ground, (Fig 3).



NOTE: Scan the QR code or follow link for M10 J-Bolt installation video.

<https://youtu.be/BqQis3QjZnc>

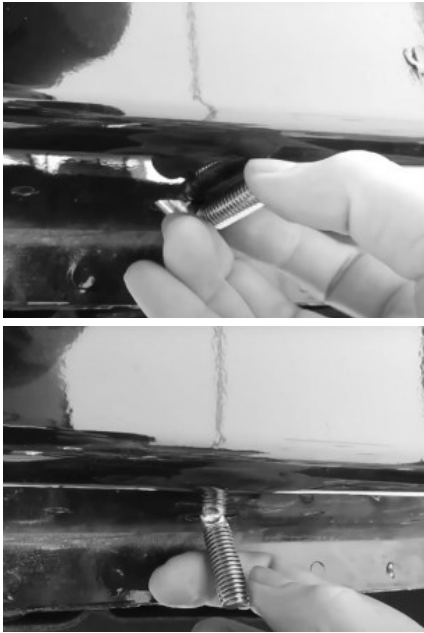


(Fig 2) Driver Side Front Mounting Location



(Fig 3) M10 J-Bolt Installation
(On Driver Side Mounting Location)

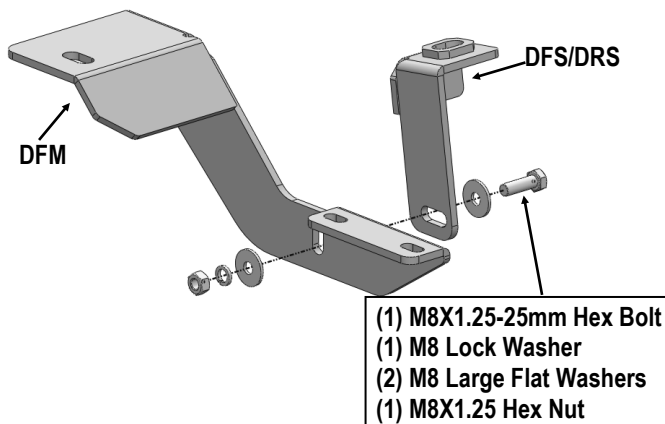
iArmor®



(Fig 3) M10 J-Bolt Installation
(On Driver Side Mounting Location)

STEP 4

Select the Driver Front Mounting Bracket (DFM) and (1) Driver Front Support Bracket (DFS/DRS), assemble with (1) M8X1.25-25mm Hex Bolt, (2) M8 Large Flat Washers, (1) M8 Lock Washer and (1) M8X1.25 Hex Nut, (Fig 4). Do not fully tighten at this time.

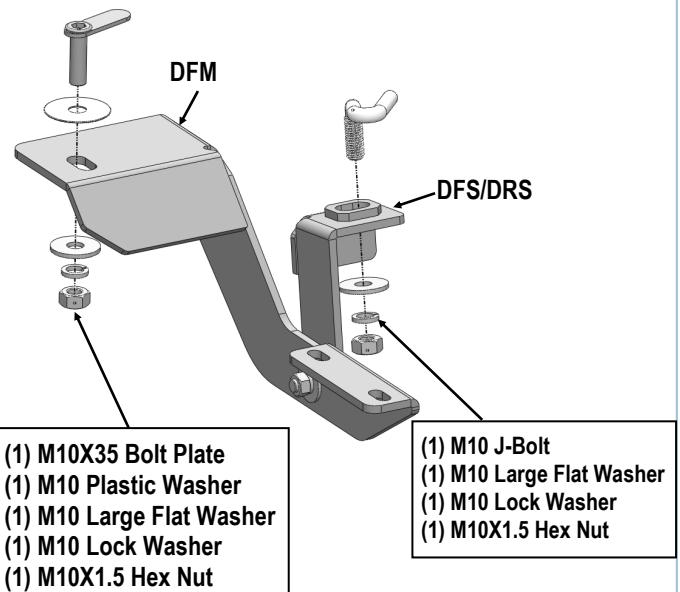


(Fig 4) Driver Front Brackets Assembly

STEP 5

Attach the assembled Mounting Bracket to the installed M10X35 Bolt Plate with (1) M10 Large Flat Washer, (1) M10 Lock Washer and (1) M10X1.5 Hex Nut.

Secure the Drive Front Support Bracket (DFS/DRS) to the installed M10 J-Bolt with (1) M10 Large Flat Washer, (1) M10 Lock Washer and (1) M10X1.5 Hex Nut, (Fig 5). Do not fully tighten at this time.



(Fig 5) Driver Front Mounting Bracket Installation

STEP 6

Select the Driver Center Mounting Bracket (DCM) and the Driver Center Support Bracket (DCS), assemble with (2) M8X1.25-25mm Hex Bolts, (4) M8 Large Flat Washers, (2) M8 Lock Washers and (2) M8X1.25 Hex Nuts, (Fig 6). Do not fully tighten at this time.

iArmor®

STEP 7

Move to the Driver Side Center Mounting Location, (Fig 7).

Insert (2) M10 J-Bolts into the side panel, (Fig 8). Attach the Driver Center Support Bracket (DCS) to the installed (2) M10 J-Bolts with (2) M10 Large Flat Washers, (2) M10 Lock Washers and (2) M10X1.5 Hex Nuts, (Fig 9). Do not fully tighten at this time.

Select and install (1) Support Plate (Fig 9):

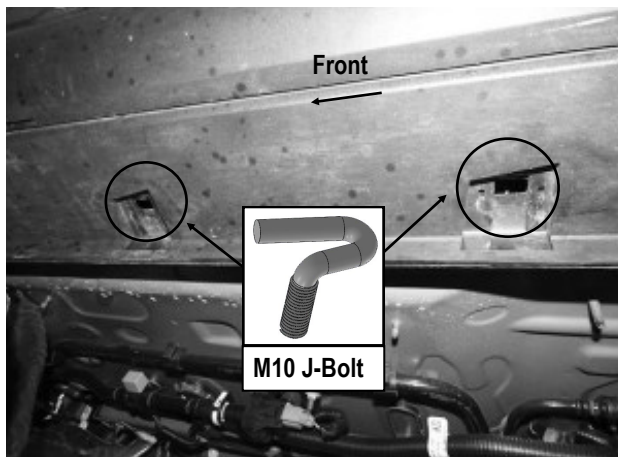
a. Thread (1) M10X1.5 Hex Nut to (1) M10X1.5-60mm Hex Bolt. Slide (1) M10 Lock Washer and (1) M10 Flat washer onto the M10X1.5-60mm Hex Bolt. (NOTE: Use the M10X1.5 Hex Nut to adjust the level of the Mounting Bracket.)

b. Thread the M10X1.5-60mm Hex Bolt assembly into the welded nut on the back of the Mounting Bracket. Place the Support Plate onto the end of the M10 Hex Bolt, (Fig 9).

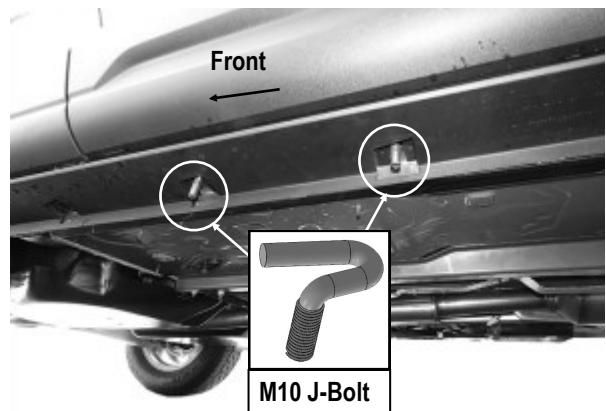
c. Tighten Hex Bolt to attach the Support Plate onto the floor panel. Do not tighten Hex Bolt all the way.

NOTE: Scan the QR code or follow link for Support Plate installation.

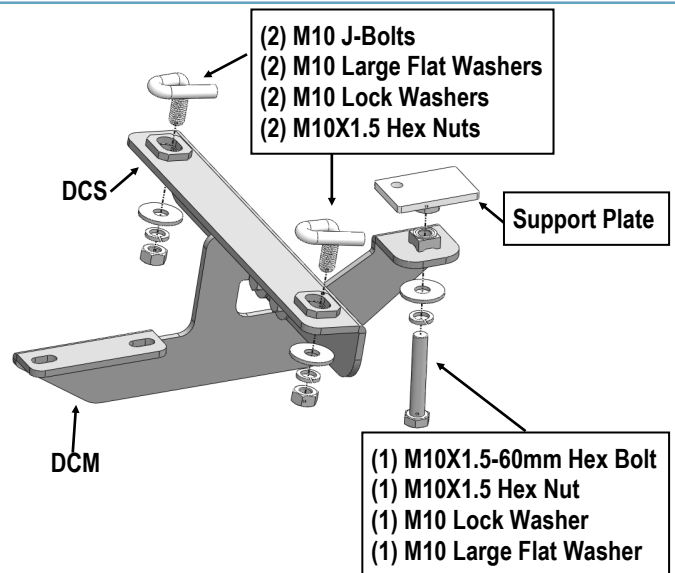
<https://www.youtube.com/watch?v=R51s7Vk1Sy4>



(Fig 7) Driver Side Center Mounting Location



(Fig 8) M10 J-Bolts Installation
(On Driver Side Center Mounting Location)



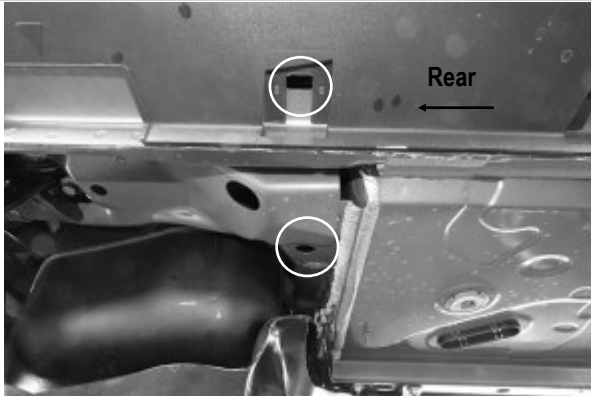
(Fig 9) Driver Center Brackets Installation

STEP 7

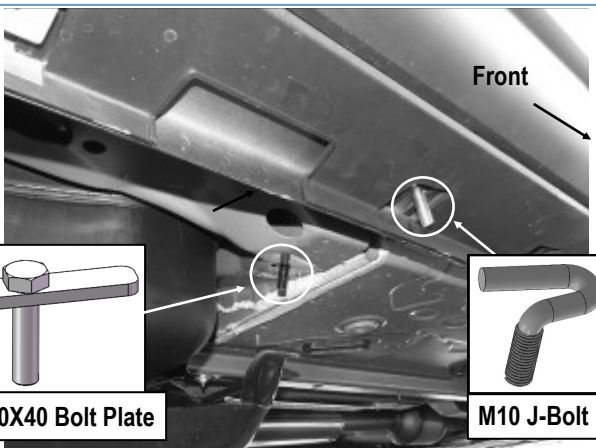
Move to the Driver Side Rear Mounting Location, (Fig 10). Select the Driver Rear Mounting Bracket (DRM), (1) Driver Rear Support Bracket (DFS/DRS) and the Driver Rear Support Bracket 1 (DRS1), assemble with (1) M8X1.25-30mm Hex Bolt, (2) M8 Large Flat Washers, (1) M8 Lock Washer and (1) M8X1.25 Hex Nut, (Fig 4). Do not fully tighten at this time.

Repeat Steps 2-4 to attach Driver Rear Mounting Brackets, (Figs 10—13). Do not fully tighten hardware.

iArmor®



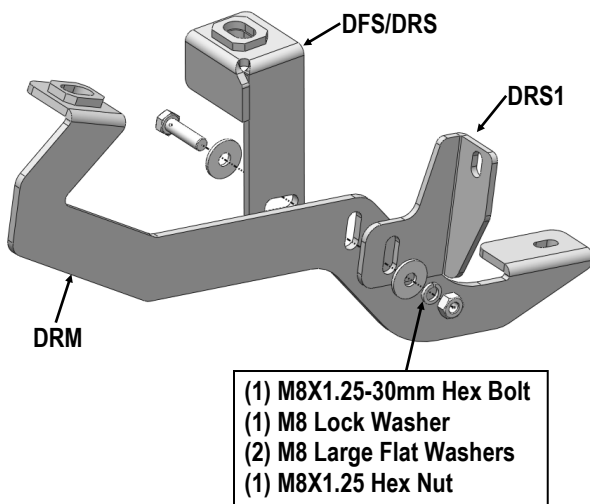
(Fig 10) Driver Side Rear Mounting Location



M10X40 Bolt Plate

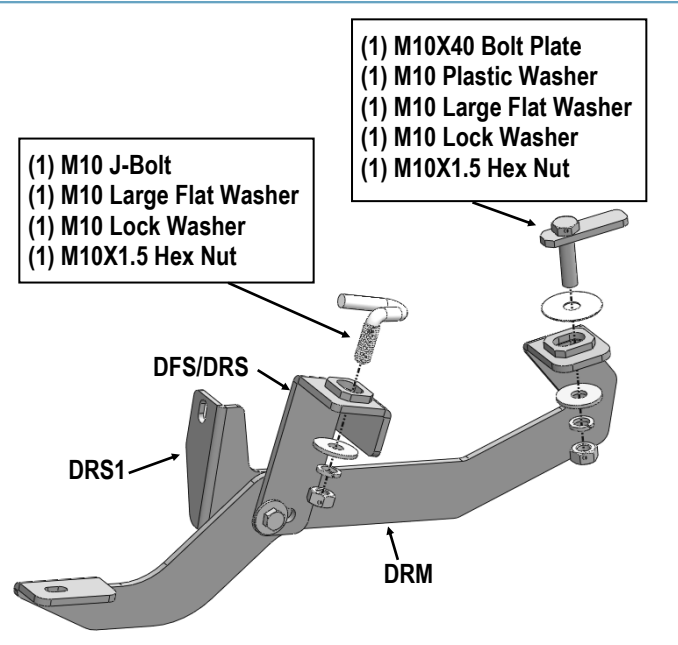
M10 J-Bolt

(Fig 11) Insert (1) M10 J-Bolt And (1) M10X40 Bolt Plate



- (1) M8X1.25-30mm Hex Bolt
- (1) M8 Lock Washer
- (2) M8 Large Flat Washers
- (1) M8X1.25 Hex Nut

(Fig 12) Driver Rear Brackets Assembly



- (1) M10 J-Bolt
- (1) M10 Large Flat Washer
- (1) M10 Lock Washer
- (1) M10X1.5 Hex Nut

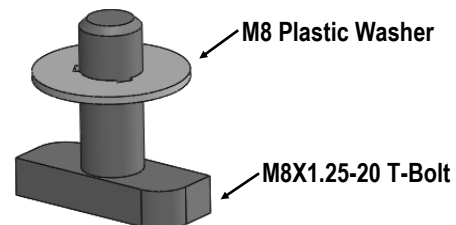
- (1) M10X40 Bolt Plate
- (1) M10 Plastic Washer
- (1) M10 Large Flat Washer
- (1) M10 Lock Washer
- (1) M10X1.5 Hex Nut

(Fig 13) Driver Rear Mounting Bracket Installation

STEP 8

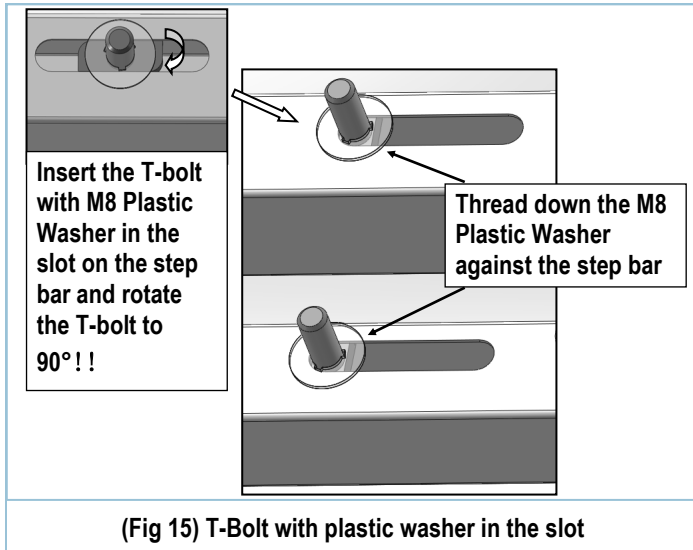
Once all (3) brackets have been installed, select (5) M8X1.25-20mm T-Bolts, thread (1) M8 Plastic Washer on each T-Bolt, (Fig 14). Install the (5) M8X1.25-20mm T-Bolts with plastic washers in the slots on the assembled Driver side step bar. Rotate the T-Bolts to 90 degree, thread down the M8 Plastic Washers against the step bar (Fig 15).

NOTE: The Plastic Washer is designed to keep the T-Bolt in place to avoid falling into the tube during installation.



(Fig 14) Thread (1) M8 Plastic Washer on each T-Bolt Before Inserting into the slot !!!

iArmor[®]



STEP 10

Level and adjust the assembled Step Bar properly and tighten all hardware.

Move to the other side of the vehicle. Repeat **Steps 2-9** for the other Side Step Bar installation.

Attention

Do periodic inspections to the installation to make sure that all hardware is secure and tight.

In order to protect your bars/boards, please use mild soap/non-abrasive products for cleaning only.

STEP 9

Attach the Assembled Driver Side Step Bar onto the Mounting Brackets with (5) M8 Plastic Washers, (5) M8X1.25-20mm T-Bolts, (5) M8 Large Flat Washers, (5) M8 Nylon Lock Nuts, (**Fig 16**). Do not fully tighten hardware at this time.

NOTE: Driver Rear Mounting Bracket is located under rear pedal. Slide (1) M6X1-20mm Square Head Bolt into the channels at the bottom of rear pedal (**Fig 17**). And secure the Driver Rear Mounting Bracket to the rear pedal with (1) M6 Large Flat Washer and (1) M6 Nylon Lock Nut, (**Fig 16**). Do not fully tighten hardware at this time.

iArmor®

