

IARMOR EDGE™

PART#: IA-N189H

BEFORE INSTALLATION

REMOVE CONTENTS FROM BOX. VERIFY ALL PARTS ARE PRESENT. READ INSTRUCTIONS CAREFULLY BEFORE STARTING INSTALLATION. ASSISTANCE IS RECOMMENDED. THANK YOU FOR CHOOSING OUR PRODUCT!

*ROCKER PANEL MOUNT

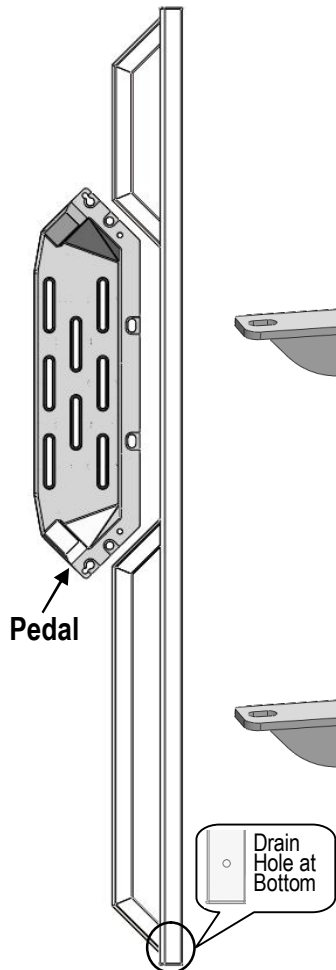
*DRILLING NOT REQUIRED

Torque Value

Fastener Size	Tightening Torque (ft-lbs)	Required
6mm	6-7	X
8mm	16-18	√
10mm	31-32	X
12mm	56-58	X
14mm	92-94	X

PART LIST

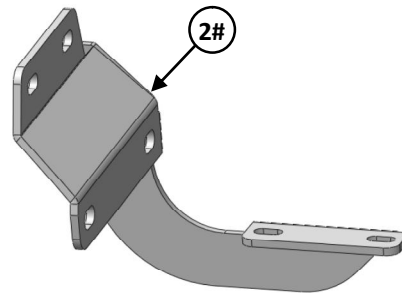
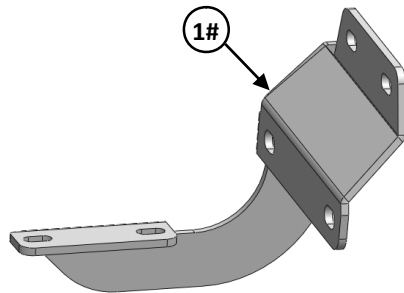
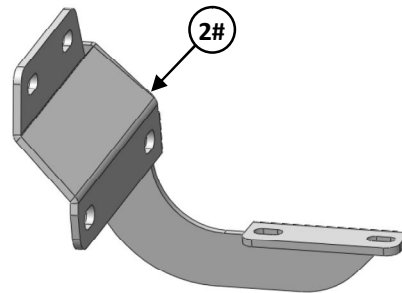
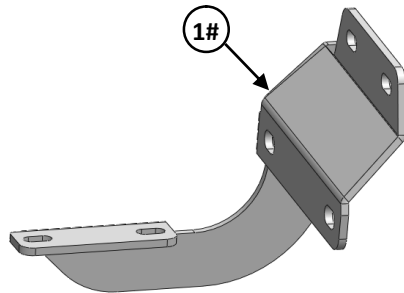
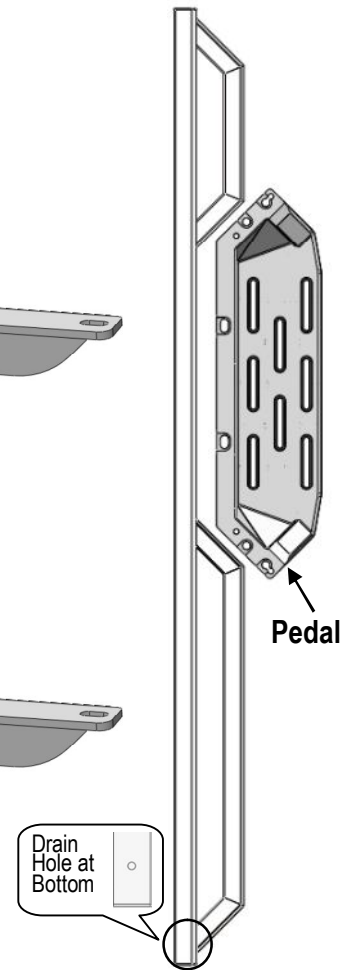
Driver Side Step Bar



Front




Passenger Side Step Bar




Note: Step bars are NOT interchangeable. Make sure drain holes at the bottom will be located at the rear direction of the step bars.

iArmor®


Hardware Package A (For Brackets & Bars Installation)					
Item	QTY	Description	Item	QTY	Description
1#	2	Driver Front / Rear Mounting Brackets	5#	20	M8 Nylon Lock Nuts
2#	2	Passenger Front / Rear Mounting Brackets	6#	8	M8X1.25-20 T Bolts
3#	12	M8 Plastic Washers	7#	8	M8 Plastic Washers
4#	20	M8 Large Flat Washers			




3#



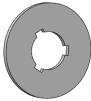
4#



5#




6#




7#


Hardware Package B (For Step Pedals Installation)					
Item	QTY	Description	Item	QTY	Description
1#	12	M8X1.25-25 Hex Bolts	3#	12	M8 Lock Washers
2#	12	M8 Large Flat Washers			



1#



2#



3#

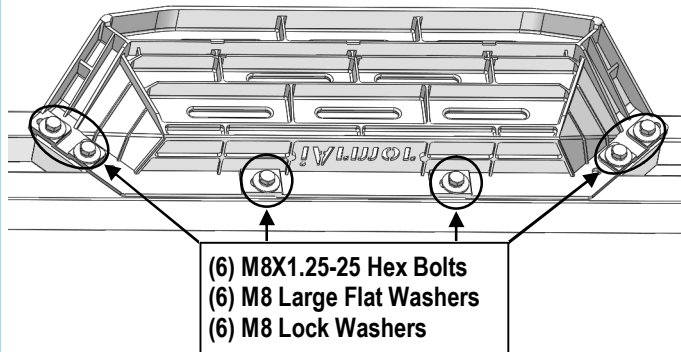
iArmor®

The instruction here is for your reference only. We strongly recommend the professional installer for best result. We are not responsible for any damage caused by the installation.

STEP 1

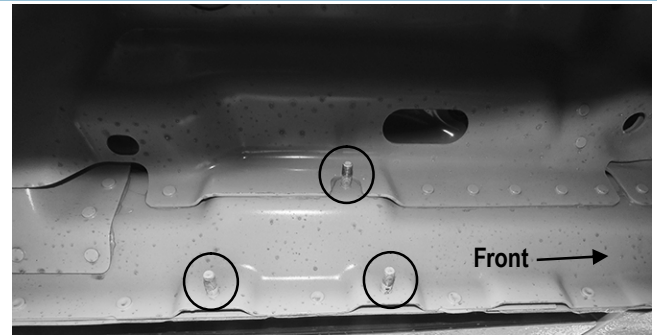
Install (2) Pedals onto the step bars with (12) M8X1.25-25mm Hex Bolts, (12) M8 Large Flat Washers and (12) M8 Lock Washers.

IMPORTANT: Don't punch the pedal with any metal hammer within pedal installation, or the pedal will be damaged.



STEP 2

Starting from the Driver front of the vehicle, locate the threaded mounting studs in the rocker panel, (Fig 1). **Clean mounting studs with wire brush to remove paint and debris as required.**



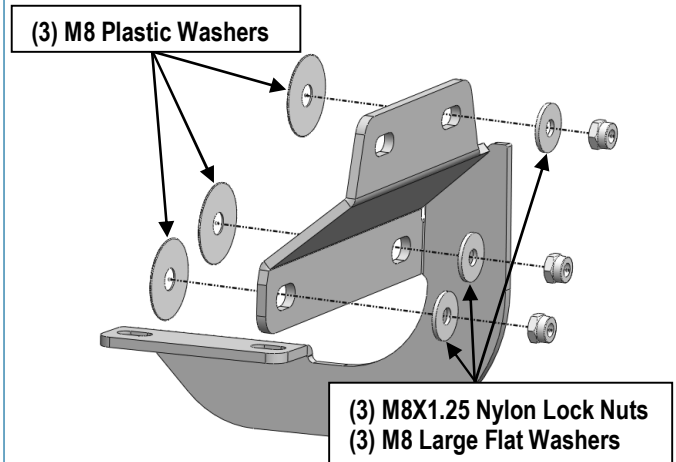
(Fig 1) Driver Side Front Mounting Location

STEP 3

Slide (1) M8 Plastic Washer over each of the (3) factory mounting studs on the rocker panel.

STEP 4

Select and attach (1) Driver Front Mounting Bracket to the factory studs with (3) M8 Large Flat Washers and (3) M8X1.25 Nylon Lock Nuts, (Fig 2). Do not fully tighten hardware at this time.



(Fig 2) Driver Front Mounting Bracket Installation

iArmor®

STEP 5

Move to Driver Side Rear Mounting Location (**Fig 4**). Repeat **Steps 3-4** to install the Driver Rear Mounting Bracket. Do not fully tighten hardware at this time.

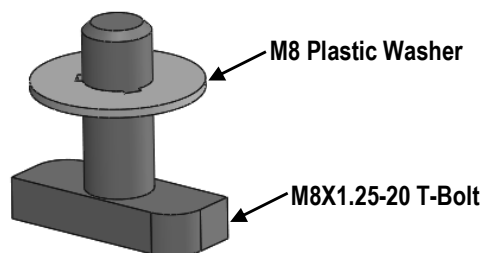


(Fig 3) Driver Side Rear Mounting Location

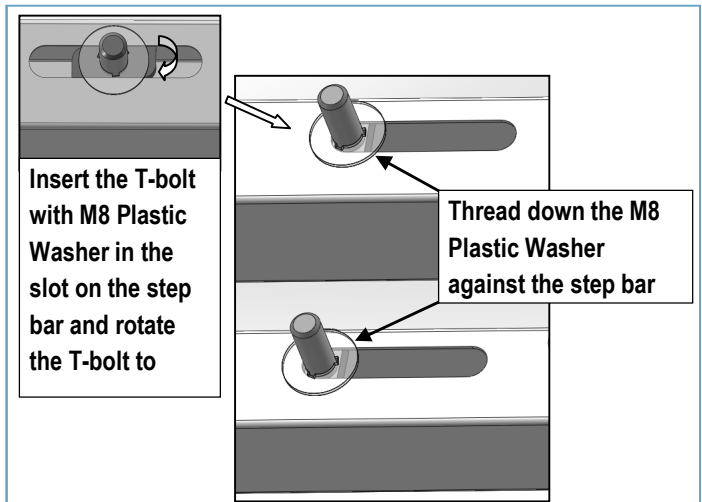
STEP 6

Once all (2) brackets have been installed, select (4) M8X1.25-20mm T-Bolts, thread (1) M8 Plastic Washer on each T-Bolt, (**Fig 4**). Install the (4) M8X1.25-20mm T-Bolts with plastic washers in the slots on the assembled Driver side step bar. Rotate the T-Bolts to 90 degree, thread down the M8 Plastic Washers against the step bar (**Fig 5**).

NOTE: The Plastic Washer is designed to keep the T-Bolt in place to avoid falling into the tube during installation.



(Fig 4) Thread (1) M8 Plastic Washer on each T-Bolt Before Inserting into the slot !!!



(Fig 5) T-Bolt with plastic washer in the slot

STEP 7

Attach the Assembled Driver Side Step Bar onto the Mounting Brackets with (4) M8 Plastic Washers, (4) M8X1.25-20mm T-Bolts, (4) M8 Large Flat Washers, (4) M8 Nylon Lock Nuts, (**Fig 6**). Do not fully tighten hardware at this time.

STEP 8

Level and adjust the assembled Step Bar properly and tighten all hardware.

Move to the other side of the vehicle. Repeat **Steps 2-7** for the other side step bar installation.

Attention

Do periodic inspections to the installation to make sure that all hardware is secure and tight.

In order to protect your bars/boards, please use mild soap/non-abrasive products for cleaning only.

iArmor®

(Fig 6) Driver Side Step Bar Installation

