

# iArmor®

## IARMOR EDGE™

PART#: IA-N175H

### BEFORE INSTALLATION

REMOVE CONTENTS FROM BOX. VERIFY ALL PARTS ARE PRESENT. READ INSTRUCTIONS CAREFULLY BEFORE STARTING INSTALLATION. ASSISTANCE IS RECOMMENDED. THANK YOU FOR CHOOSING OUR PRODUCT!

\*ROCKER PANEL MOUNT

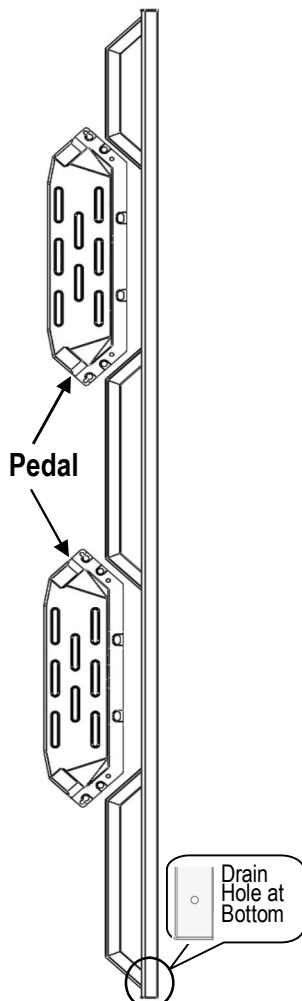
\*DRILLING NOT REQUIRED

### Torque Value

Fastener Size	Tightening Torque (ft-lbs)	Required
6mm	6-7	X
8mm	16-18	√
10mm	31-32	X
12mm	56-58	X
14mm	92-94	X

### PART LIST

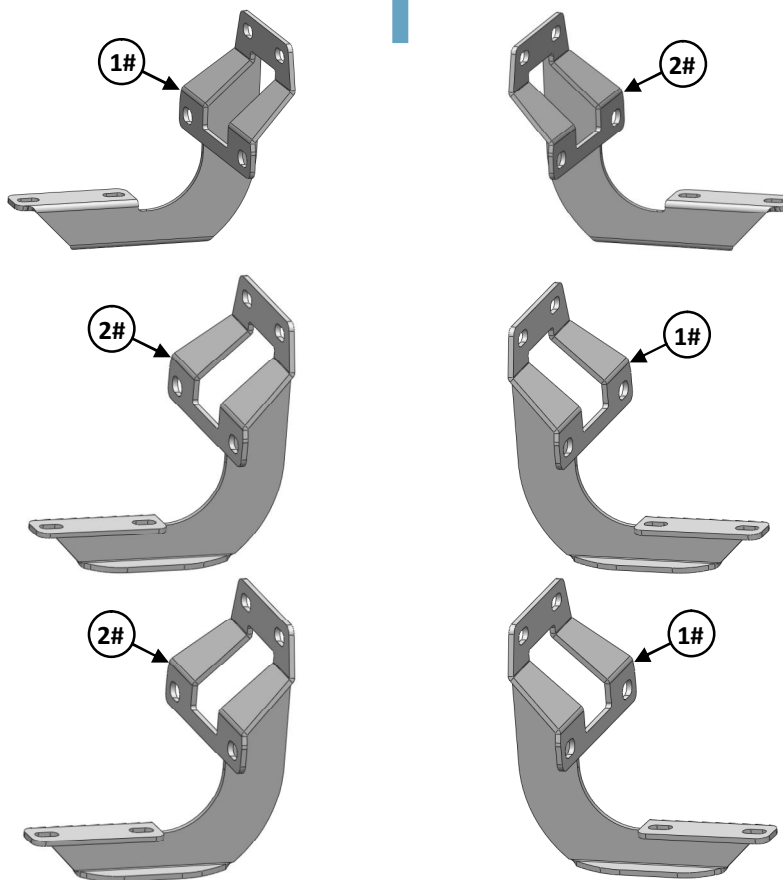
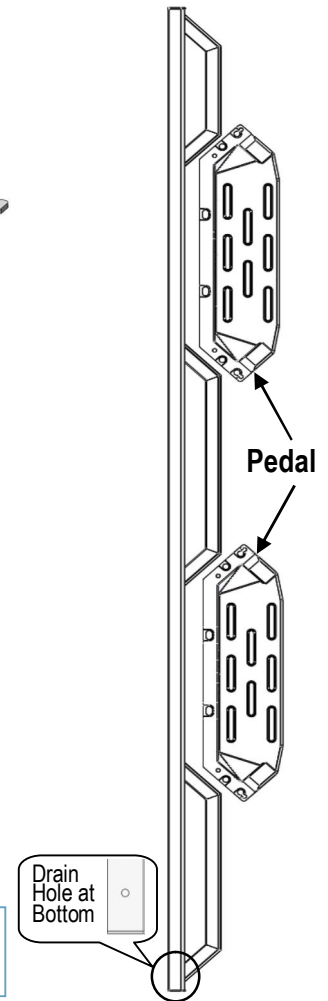
#### Driver Side Step Bar



Front



#### Passenger Side Step Bar







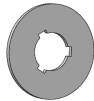
Note: Step bars are NOT interchangeable. Make sure drain holes at the bottom will be located at the rear direction of the step bars.

Customer Support: [info@iarmorauto.com](mailto:info@iarmorauto.com)

# iArmor®




Hardware Package A (For Brackets & Bars Installation)					
Item	QTY	Description	Item	QTY	Description
1#	3	Driver Front / Passenger Center & Rear Mounting Brackets	5#	30	M8X1.25 Nylon Lock Nuts
2#	3	Passenger Front / Driver Center & Rear Mounting Brackets	6#	12	M8X1.25-20 T-Bolts
3#	18	M8 Plastic Washers	7#	12	M8 Plastic Washers
4#	30	M8 Large Flat Washers			

				
3 #	4 #	5 #	6 #	7 #

Hardware Package B (For Step Pedals Installation)					
Item	QTY	Description	Item	QTY	Description
1#	24	M8X1.25-25 Hex Bolts	3#	24	M8 Lock Washers
2#	24	M8 Large Flat Washers			

		
1#	2#	3#

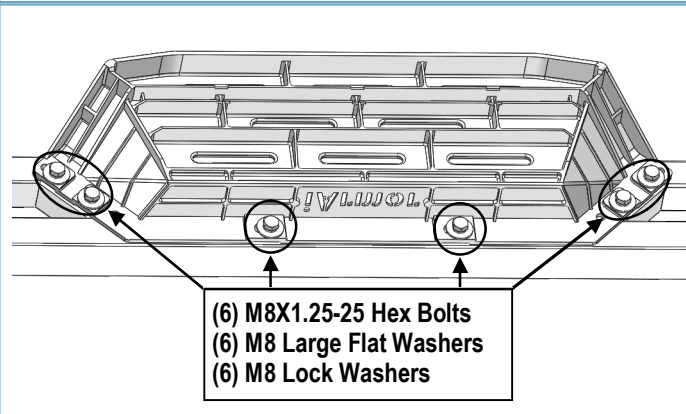
# iArmor®

The instruction here is for your reference only. We strongly recommend the professional installer for best result. We are not responsible for any damage caused by the installation.

## STEP 1

Install (4) Pedals onto the step bars with (24) M8X1.25-25mm Hex Bolts, (24) M8 Large Flat Washers and (24) M8 Lock Washers.

**IMPORTANT:** Don't punch the pedal with any metal hammer within pedal installation, or the pedal will be damaged.

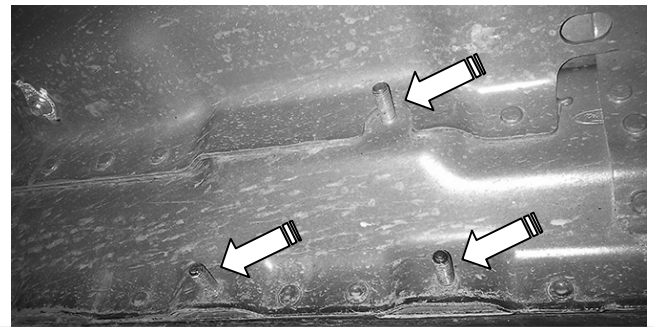


## STEP 2

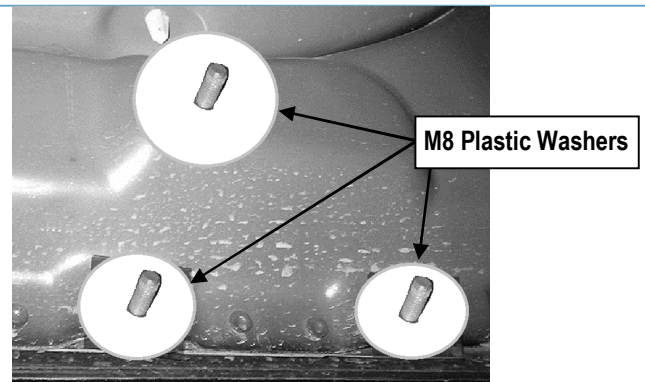
Start the installation from the driver side of the vehicle. Locate the (3) factory studs along the inner side of the body panel, (Fig 1).

## STEP 3

Slide (1) M8 Plastic Washer over each of the (3) factory mounting studs on the body panel, (Fig 2).



(Fig 1) Typical mounting location

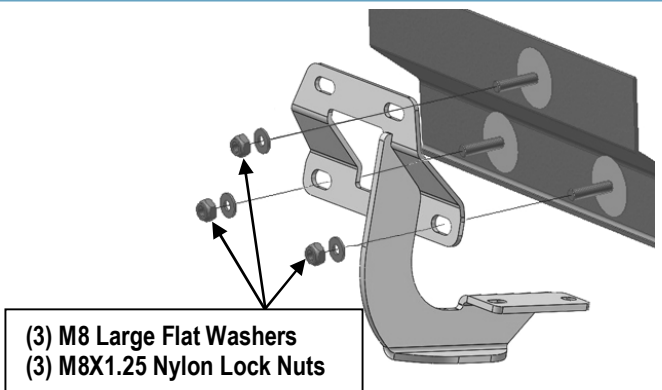


(Fig 2) Thread M8 Plastic Washers onto all mounting studs

## STEP 4

Attach the Driver Front Mounting Bracket to the (3) factory studs with (3) M8 Large Flat Washers and (3) M8X1.25 Nylon Lock Nuts, (Fig 3). Do not fully tighten hardware at this time.

**Note: Driver Front / Passenger Center & Rear Mounting Brackets are universal.**

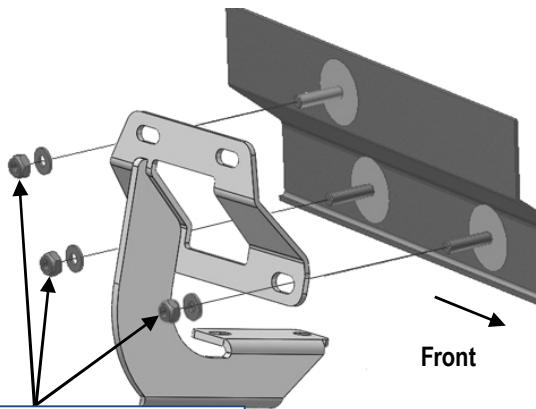


(Fig 3) Driver Front Mounting Bracket Installation

# iArmor®

## STEP 5

Repeat **Step 4** to install the Driver center Mounting Bracket and Driver Rear Mounting Bracket, (**Fig 4**).



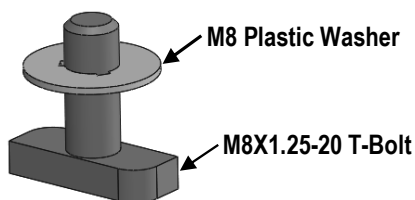
(3) M8 Large Flat Washers  
(3) M8X1.25 Nylon Lock Nuts

(Fig 4) Driver Center/Rear Mounting Bracket Installation

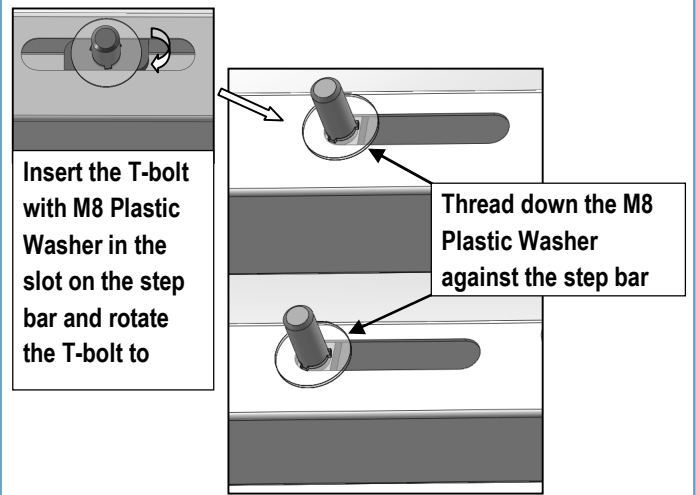
## STEP 6

Once all (3) brackets have been installed, select (6) M8X1.25-20mm T-Bolts, thread (1) M8 Plastic Washer on each T-Bolt, (**Fig 5**). Install the (6) M8X1.25-20mm T-Bolts with plastic washers in the slots on the assembled Driver side step bar. Rotate the T-Bolts to 90 degree, thread down the M8 Plastic Washers against the step bar (**Fig 6**).

**NOTE:** The Plastic Washer is designed to keep the T-Bolt from falling into the bar tube during installation.



(Fig 5) Thread (1) M8 Plastic Washer on each T-Bolt Before Inserting into the bar tube!!!



Insert the T-bolt with M8 Plastic Washer in the slot on the step bar and rotate the T-bolt to

Thread down the M8 Plastic Washer against the step bar

(Fig 6) T-Bolt with plastic washer in the slot

## STEP 7

Attach the Assembled Driver Side Step Bar onto the Mounting Brackets with (6) M8 Plastic Washers, (6) M8X1.25-20mm T-Bolts, (6) M8 Large Flat Washers, (6) M8 Nylon Lock Nuts, (**Fig 7**). Do not fully tighten hardware at this time.

## STEP 8

Level and adjust the assembled Step Bar properly and tighten all hardware.

Move to the other side of the vehicle. Repeat **Steps 2-8** to install the other side step bar.

**NOTE:** Passenger Front / Driver Center & Rear Mounting Brackets are Universal.

### Attention

Do periodic inspections to the installation to make sure that all hardware is secure and tight.

In order to protect your bars/boards, please use mild soap/non-abrasive products for cleaning only.

# iArmor®

(Fig 7) Driver Side Step Bar Installation

