

iArmor®

IARMOR EDGE™

PART#: IA-N912H

BEFORE INSTALLATION

REMOVE CONTENTS FROM BOX. VERIFY ALL PARTS ARE PRESENT. READ INSTRUCTIONS CAREFULLY BEFORE STARTING INSTALLATION. ASSISTANCE IS RECOMMENDED. THANK YOU FOR CHOOSING OUR PRODUCT!

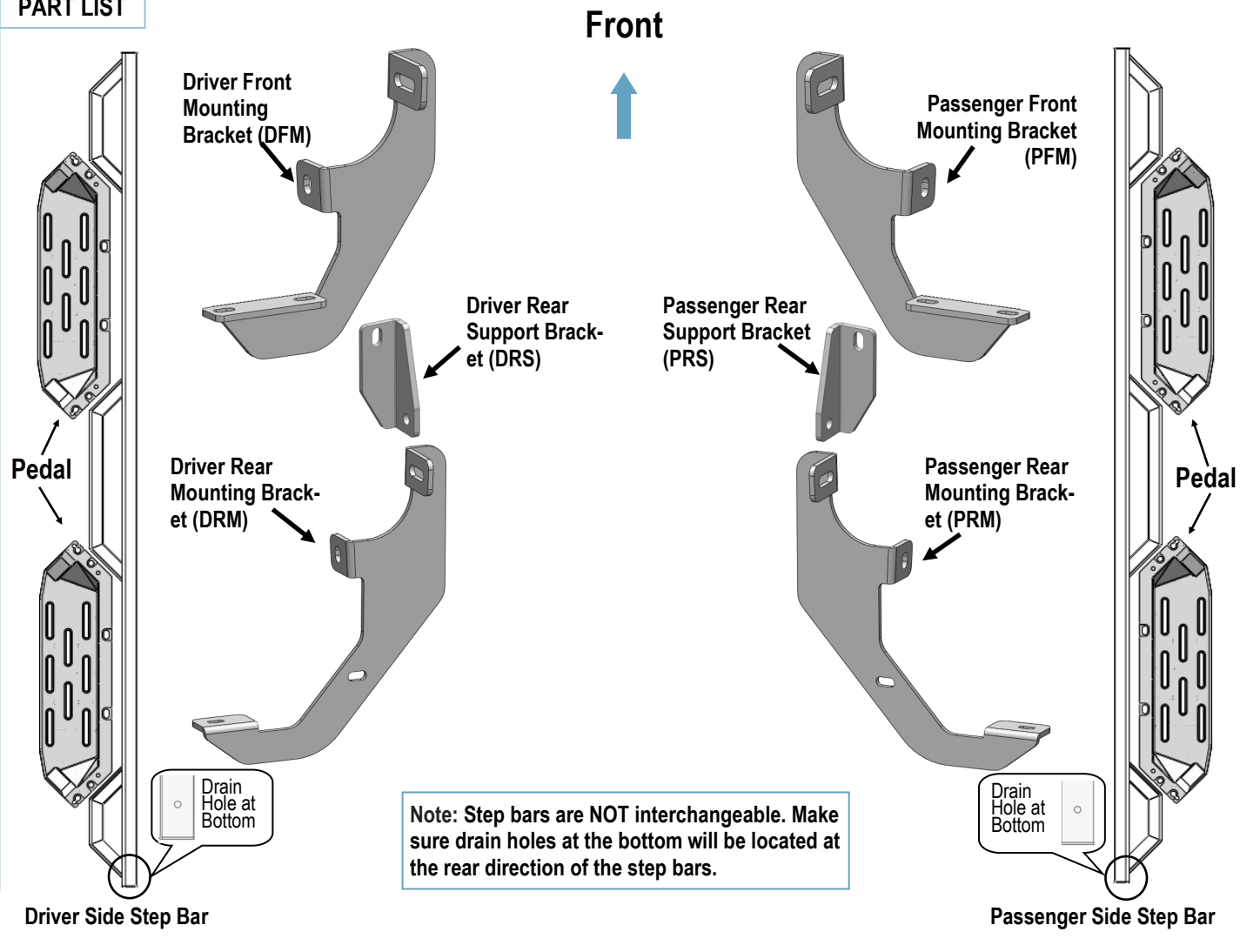
*ROCKER PANEL MOUNT

*DRILLING NOT REQUIRED

Torque Value

Fastener Size	Tightening Torque (ft-lbs)	Required
6mm	6-7	√
8mm	16-18	√
10mm	31-32	√
12mm	56-58	X
14mm	92-94	X

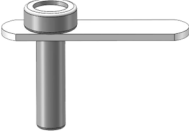
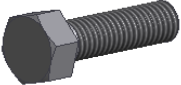


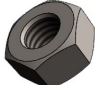

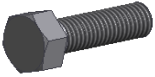


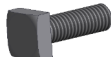




PART LIST



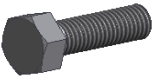


Customer Support: info@iarmorauto.com

iArmor[®]

Hardware Package A (For Brackets & Bars Installation)					
Item	QTY	Description	Item	QTY	Description
1#	4	M10X35 Bolt Plates	8#	10	M8 Large Flat Washers
2#	4	M10X1.5-25 Hex Bolts	9#	8	M8 Nylon Lock Nuts
3#	8	M10 Flat Washers	10#	2	M6X1-20 Square Head Bolts
4#	8	M10 Lock Washers	11#	2	M6 Large Flat Washers
5#	4	M10X1.5 Hex Nuts	12#	2	M6 Nylon Lock Nuts
6#	4	M10 Rivet Nuts	13#	6	M8X1.25-20 T Bolts
7#	2	M8X1.25-30 Hex Bolts	14#	6	M8 Plastic Washers

						
1#	2#	3#	4#	5#	6#	7#
						
8#	9#	10#	11#	12#	13#	14#

Hardware Package B (For Step Pedals Installation)					
Item	QTY	Description	Item	QTY	Description
1#	24	M8X1.25-25 Hex Bolts	3#	24	M8 Lock Washers
2#	24	M8 Large Flat Washers			

		
1#	2#	3#

Customer Support: info@iarmorauto.com

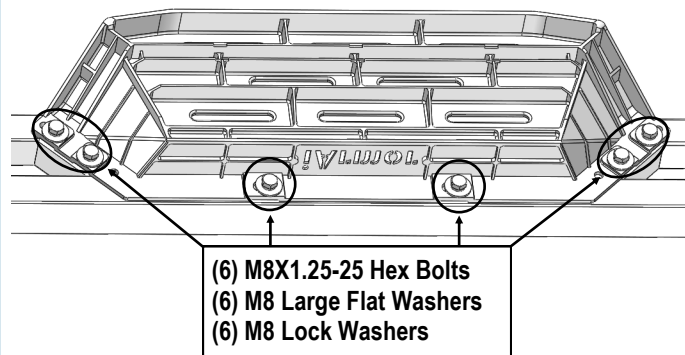
iArmor®

The instruction here is for your reference only. We strongly recommend the professional installer for best result. We are not responsible for any damage caused by the installation.

STEP 1

Install (4) Pedals onto the step bars with (24) M8X1.25-25mm Hex Bolts, (24) M8 Large Flat Washers and (24) M8 Lock Washers.

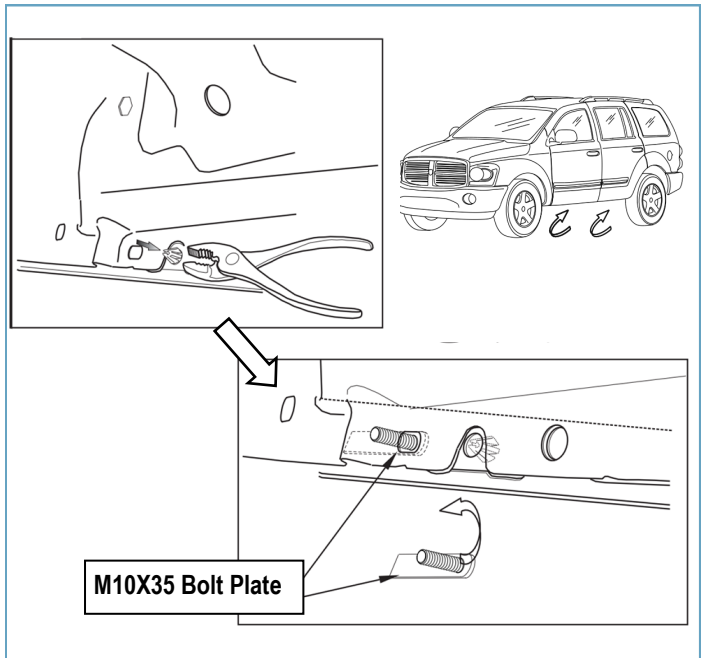
IMPORTANT: Don't punch the pedal with any metal hammer within pedal installation, or the pedal will be damaged.



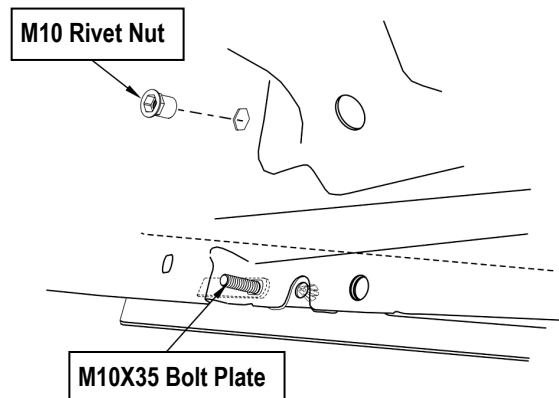
STEP 2

Start installation from the driver side front of the vehicle. Separate trim from rocker panel to insert M10x35 Bolt Plate as shown. Leave hardware loose at this time, (Figs 1 & 2).

Then, insert M10 Rivet Nut to a hex hole on rocker panel as shown, (Fig 2).



(Fig 1) Insert M10x35 Bolt Plate

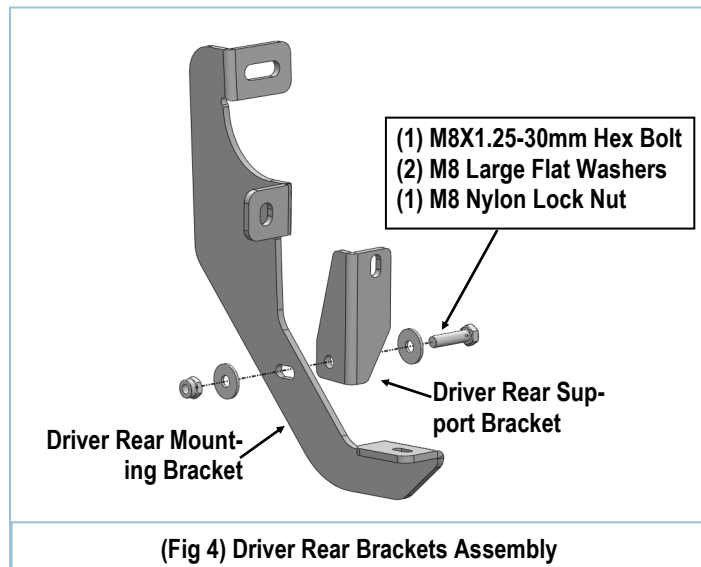
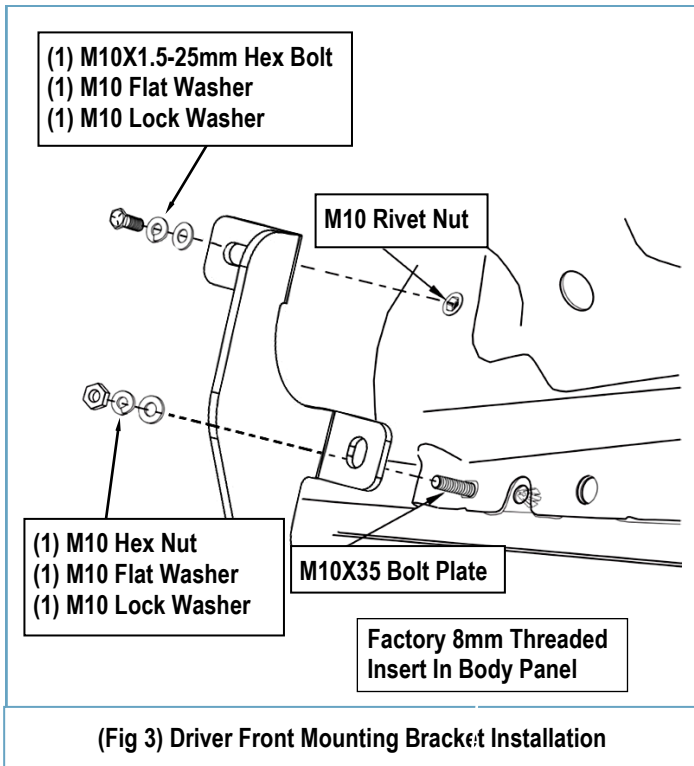


(Fig 2) Insert M10 Rivet Nut

STEP 3

Attach the Driver Front Mounting Bracket to the installed M10 Rivet Nut with (1) M10X1.5-25mm Hex Bolt, (1) M10 Lock Washer and (1) M10 Flat Washer; to the installed M10X35 Bolt Plate with (1) M10 Flat Washer, (1) M10 Lock Washer and (1) M10 Hex Nut, (Fig 3). Do not fully tighten hardware at this time.

iArmor®



STEP 4

Tighten top bolt to crimp Rivet Nut until increased resistance is felt. Verify M10 Rivet Nut is not loose in hole, otherwise re-tighten. Hole M10x35 Bolt Plate parallel to rocker panel and tighten bottom nut. Re-attach trim panel.

NOTE: BRACKET MUST BE HELD FLUSH AGAINST ROCKER PANEL WHILE TIGHTENING TOP BOLT OR THE M10 RIVET NUT WILL NOT SEAT PROPERLY.

STEP 5

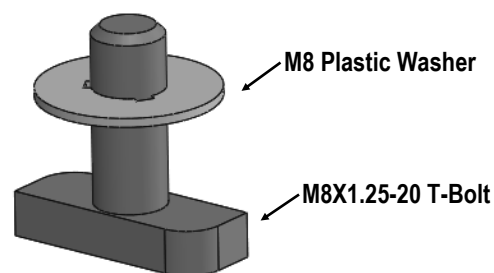
Move to the driver side rear mounting location. Select (1) Driver Rear Mounting Bracket and (1) Driver Rear Support Bracket. Assemble with (1) M8X1.25-30mm Hex Bolt, (2) M8 Large Flat Washers and (1) M8 Nylon Lock Nut, (Fig 4). Do not fully tighten hardware at this time.

Repeat **Steps 2-4** for driver side rear brackets installation.

STEP 6

Once all (2) brackets have been installed, select (3) M8X1.25-20mm T-Bolts, thread (1) M8 Plastic Washer on each T-Bolt, (Fig 5). Install the (3) M8X1.25-20mm T-Bolts with plastic washers in the slots on the assembled Driver side step bar. Rotate the T-Bolts to 90 degree, thread down the M8 Plastic Washers against the step bar (Fig 6).

NOTE: The Plastic Washer is designed to keep the T-Bolt in place to avoid falling into the tube during installation.



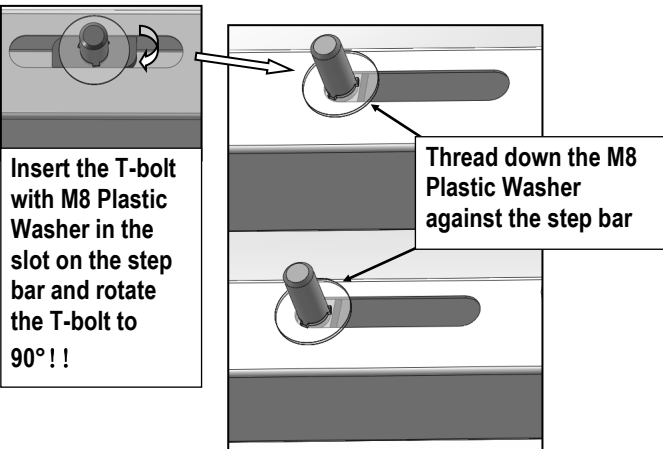
(Fig 5) Thread (1) M8 Plastic Washer on each T-Bolt Before Inserting into the slot !!!

iArmor®

STEP 7

Attach the assembled Driver Side Step Bar onto the Mounting Brackets with (3) M8 Plastic Washers, (3) M8X1.25-20mm T-Bolts, (3) M8 Large Flat Washers, (3) M8 Nylon Lock Nuts, (Fig 7). Do not fully tighten hardware at this time.

NOTE: Driver Rear Mounting Bracket is located under the rear pedal. Slide (1) M6X1-20mm Square Head Bolt into the channel at the bottom of the rear pedal (Fig 8). And secure the Driver Rear Mounting Bracket to pedal with (1) M6 Large Flat Washer and (1) M6 Nylon Lock Nut, (Fig 7). Do not fully tighten hardware at this time.



(Fig 6) T-Bolt with plastic washer in the slot

Attention

Do periodic inspections to the installation to make sure that all hardware is secure and tight.

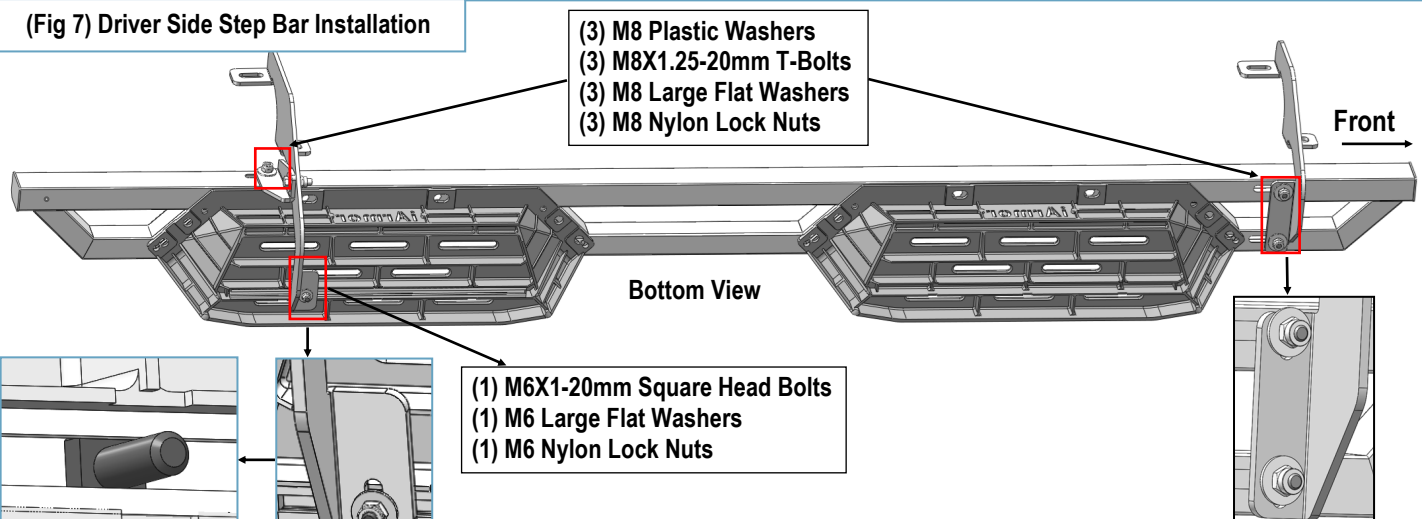
In order to protect your bars/boards, please use mild soap/non-abrasive products for cleaning only.

STEP 8

Level and adjust the assembled Step Bar properly and tighten all hardware.

Move to the other side of the vehicle. Repeat **Steps 2-7** for the other side step bar installation.

(Fig 7) Driver Side Step Bar Installation



(Fig 8) M6 Square Bolt in the Channel