

iArmor®

IARMOR EDGE™

PART#: IA-N295H

BEFORE INSTALLATION

REMOVE CONTENTS FROM BOX. VERIFY ALL PARTS ARE PRESENT. READ INSTRUCTIONS CAREFULLY BEFORE STARTING INSTALLATION. ASSISTANCE IS RECOMMENDED. THANK YOU FOR CHOOSING OUR PRODUCT!

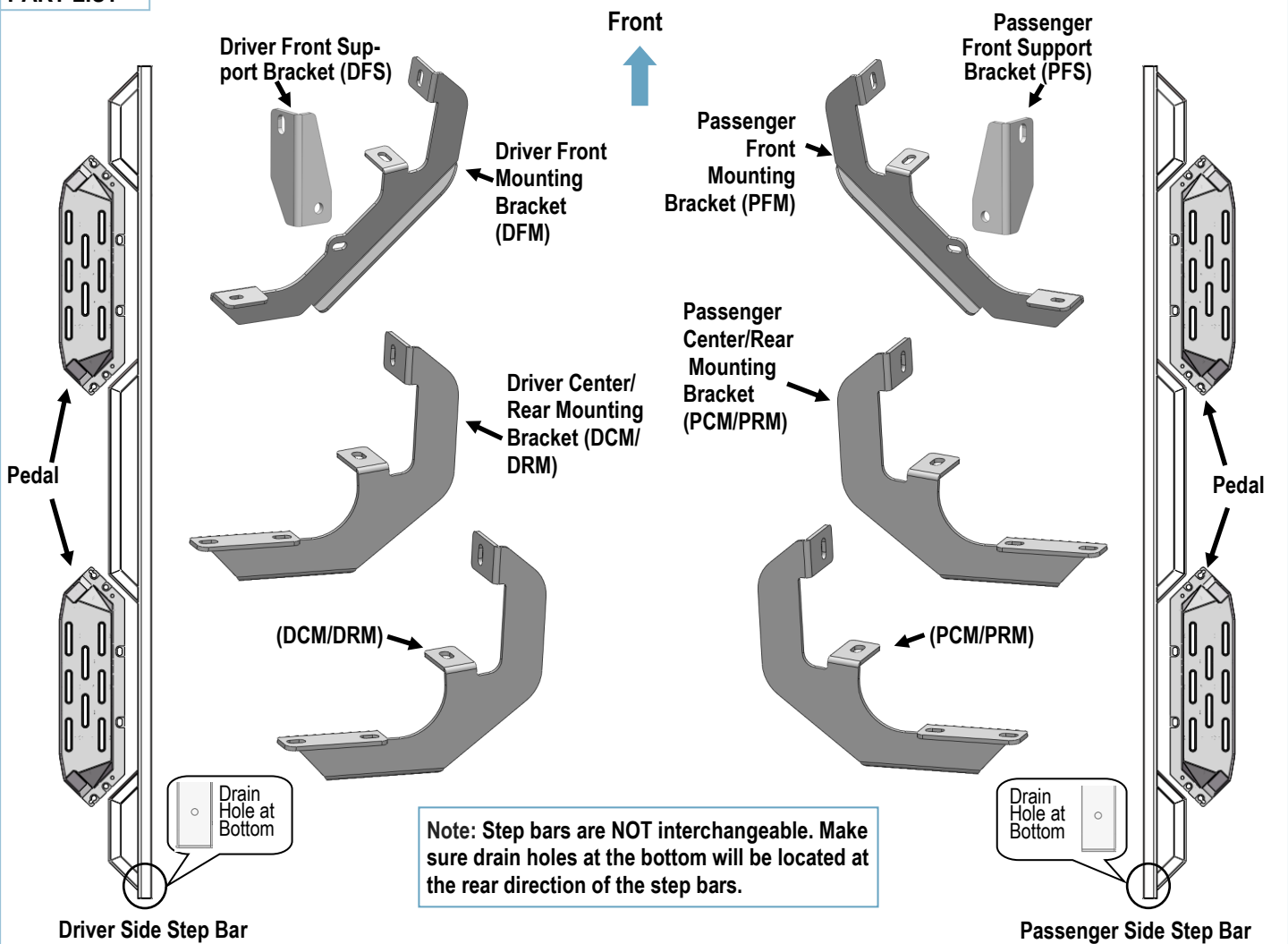
*ROCKER PANEL MOUNT

*DRILLING NOT REQUIRED

Torque Value

Fastener Size	Tightening Torque (ft-lbs)	Required
6mm	6-7	√
8mm	16-18	√
10mm	31-32	X
12mm	56-58	X
14mm	92-94	X

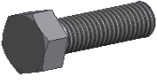



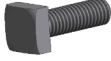




PART LIST



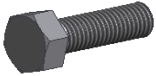


Customer Support: info@iarmorauto.com

iArmor[®]

Hardware Package A (For Brackets & Bars Installation)					
Item	QTY	Description	Item	QTY	Description
1#	14	M8X1.25-30mm Hex Bolts	6#	2	M6 Large Flat Washers
2#	26	M8 Large Flat Washers	7#	2	M6 Nylon Lock Nuts
3#	12	M8 Lock Washers	8#	10	M8X1.25-20 T-Bolts
4#	12	M8 Nylon Lock Nuts	9#	10	M8 Plastic Washers
5#	2	M6X1-20 Square Head Bolts			

								
1 #	2 #	3 #	4 #	5 #	6 #	7 #	8 #	9 #

Hardware Package B (For Step Pedals Installation)					
Item	QTY	Description	Item	QTY	Description
1#	24	M8X1.25-25 Hex Bolts	3#	24	M8 Lock Washers
2#	24	M8 Large Flat Washers			

		
1#	2#	3#

Customer Support: info@iarmorauto.com

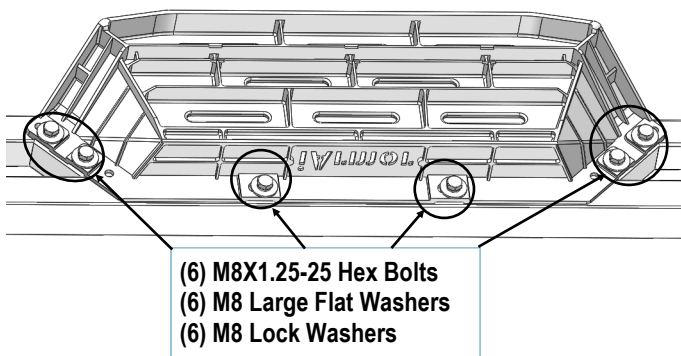
iArmor®

The instruction here is for your reference only. We strongly recommend the professional installer for best result. We are not responsible for any damage caused by the installation.

STEP 1

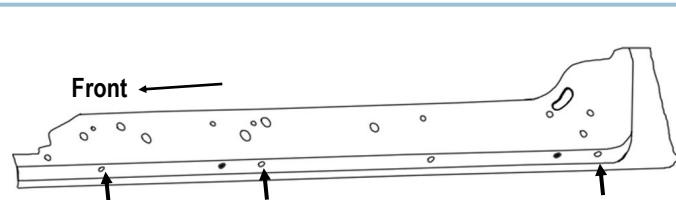
Install (4) Pedals onto the step bars with (24) M8X1.25-25mm Hex Bolts, (24) M8 Large Flat Washers and (24) M8 Lock Washers.

IMPORTANT: Don't punch the pedal with any metal hammer within pedal installation, or the pedal will be damaged.



STEP 2

Start the installation under the passenger side of the vehicle. Locate the 6 plugs along the bottom edge of the body panel. Mounting Brackets will bolt to the 1st, 3rd and 6th threaded mounting holes, (Fig 1).

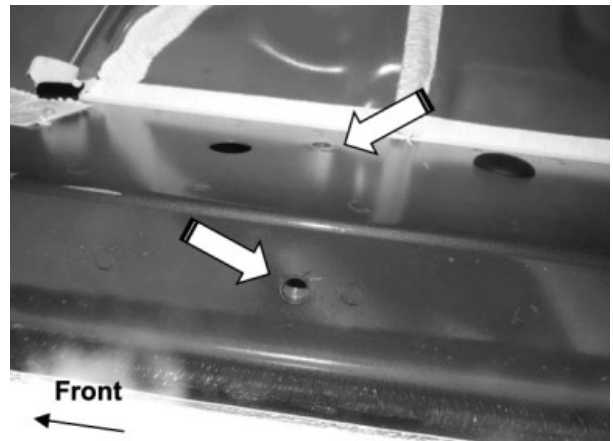


(Fig 1) Passenger Side Mounting Locations (on body Panel)

STEP 3

Remove the plastic plugs from each mounting location. Directly above each threaded insert is a top mounting location, (Fig 2). Hold a Bracket up in place to help determine the correct mounting holes to use along the body.

NOTE: Thread an 8mm Hex Bolt into the threaded inserts to clear paint from hole as required.

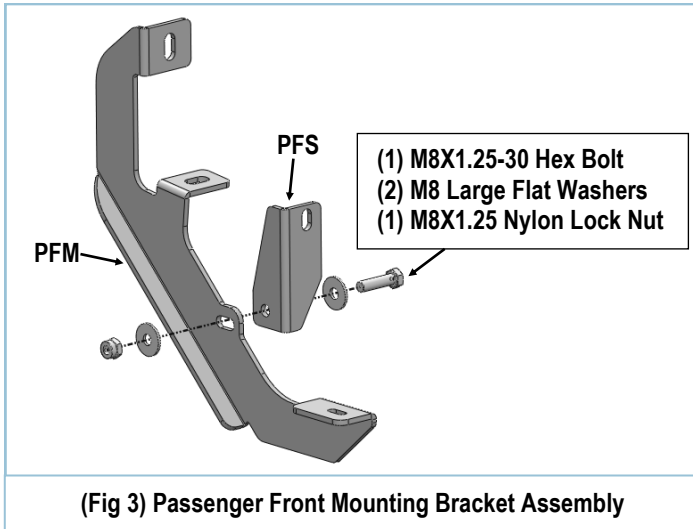


(Fig 2) Passenger Side Front Mounting Location

STEP 4

Select (1) Passenger Front Mounting Bracket (PFM) and (1) Passenger Front Support Bracket (PFS). Attached the Support Bracket onto Mounting Bracket with (1) M8X1.25-30 Hex Bolt, (2) M8 Large Flat Washers and (1) M8X1.25 Nylon Lock Nut, (Fig 3). Do not fully tighten hardware at this time.

iArmor®

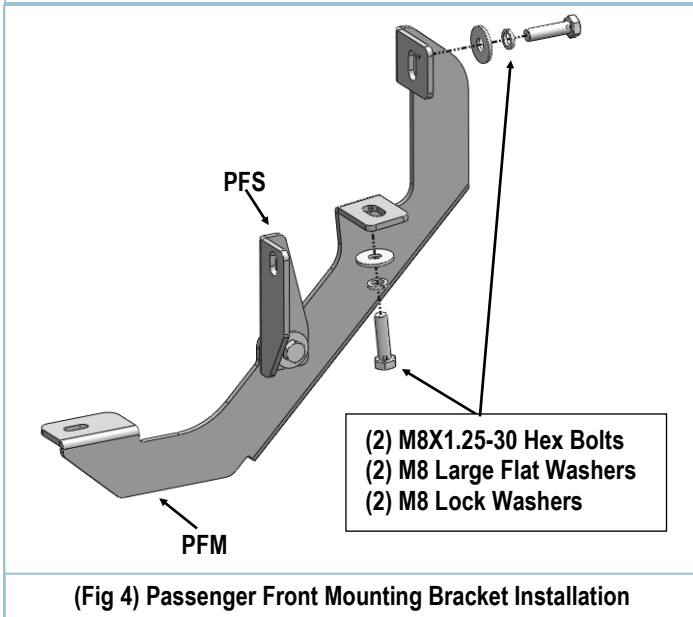


(Fig 3) Passenger Front Mounting Bracket Assembly

STEP 5

Bolt the assembled Passenger Front Mounting Bracket to the factory threaded holes with (2) M8X1.25-30 Hex Bolts, (2) M8 Lock Washers and (2) M8 Large Flat Washers, (Fig 4). Do not fully tighten hardware at this time.

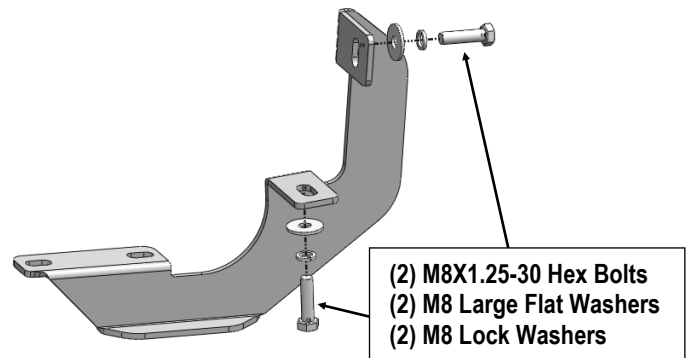
NOTE: The Passenger Front Mounting Bracket will mount to the bottom of the pedal on the step bar, so the cradle is lower than the center and rear mounting bracket's.



(Fig 4) Passenger Front Mounting Bracket Installation

STEP 6

Move to the Passenger Side Center Mounting Location. Install the Passenger Center Mounting Bracket (PCM/PRM) with (2) M8X1.25-30 Hex Bolts, (2) M8 Lock Washers and (2) M8 Large Flat Washers, (Fig 5). Do not fully tighten hardware at this time.



(Fig 5) Passenger Center & Rear Mounting Bracket Installation

STEP 7

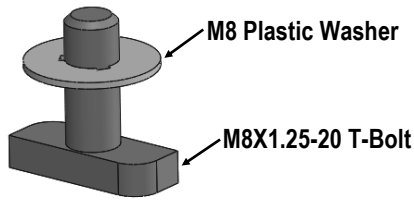
Move to the Passenger Side Rear Mounting Location. Repeat Step 6 to install the Passenger Rear Mounting Bracket (PCM/PRM), (Fig 5). Do not fully tighten hardware at this time.

STEP 8

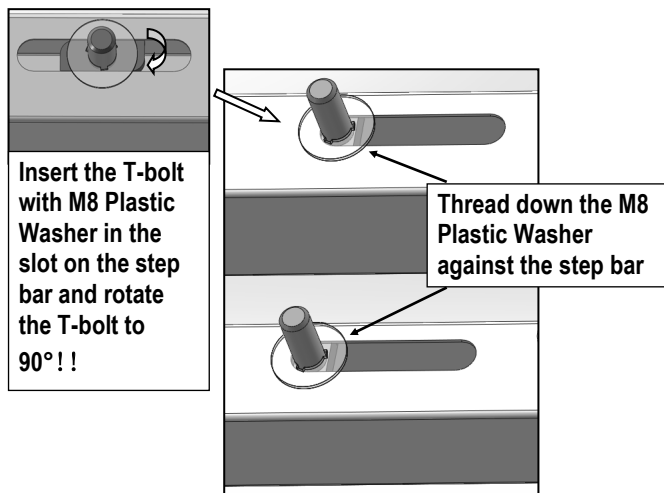
Once all (3) brackets have been installed, select (5) M8X1.25-20mm T-Bolts, thread (1) M8 Plastic Washer on each T-Bolt, (Fig 6). Install the (5) M8X1.25-20mm T-Bolts with plastic washers in the slots on the assembled Passenger side step bar. Rotate the T-Bolts to 90 degree, thread down the M8 Plastic Washers against the step bar (Fig 7).

NOTE: The Plastic Washer is designed to keep the T-Bolt in place to avoid falling into the tube during installation.

iArmor®



(Fig 6) Thread (1) M8 Plastic Washer on each T-Bolt Before Inserting into the slot !!!



(Fig 7) T-Bolt with plastic washer in the slot

STEP 9

Attach the Assembled Passenger Side Step Bar onto the Mounting Brackets with (5) M8 Plastic Washers, (5) M8X1.25-20mm T-Bolts, (5) M8 Large Flat Washers, (5) M8 Nylon Lock Nuts, (Fig 8). Do not fully tighten hardware at this time.

NOTE: the Passenger Front Mounting Bracket is located under the front pedal. Slide (1) M6X1-20mm Square Head Bolt into the channel at the bottom of front pedal (Fig 9). And secure the Passenger Front Mounting Bracket to the pedal with (1) M6 Large Flat Washer and (1) M6 Nylon Lock Nut, (Fig 8). Do not fully tighten hardware at this time.

STEP 10

Level and adjust the assembled Step Bar properly and tighten all hardware.

Move to the other side of the vehicle. Repeat **Steps 2-9** for the other Side Step Bar installation.

Attention

Do periodic inspections to the installation to make sure that all hardware is secure and tight.

In order to protect your bars/boards, please use mild soap/non-abrasive products for cleaning only.

iArmor®

