

IARMOR EDGE™

PART#: IA-N133H

BEFORE INSTALLATION

REMOVE CONTENTS FROM BOX. VERIFY ALL PARTS ARE PRESENT. READ INSTRUCTIONS CAREFULLY BEFORE STARTING INSTALLATION. ASSISTANCE IS RECOMMENDED. THANK YOU FOR CHOOSING OUR PRODUCT!

*ROCKER PANEL MOUNT

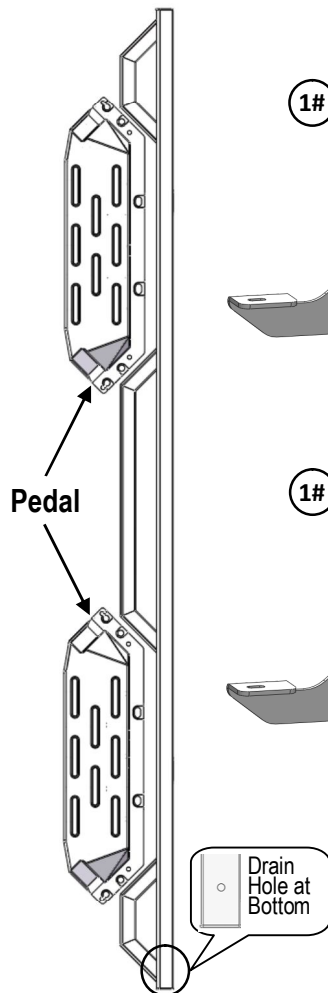
*DRILLING NOT REQUIRED

Torque Value

| Fastener Size | Tightening Torque (ft-lbs) | Required |
|---------------|----------------------------|----------|
| 6mm | 6-7 | √ |
| 8mm | 16-18 | √ |
| 10mm | 31-32 | √ |
| 12mm | 56-58 | X |
| 14mm | 92-94 | X |

PART LIST

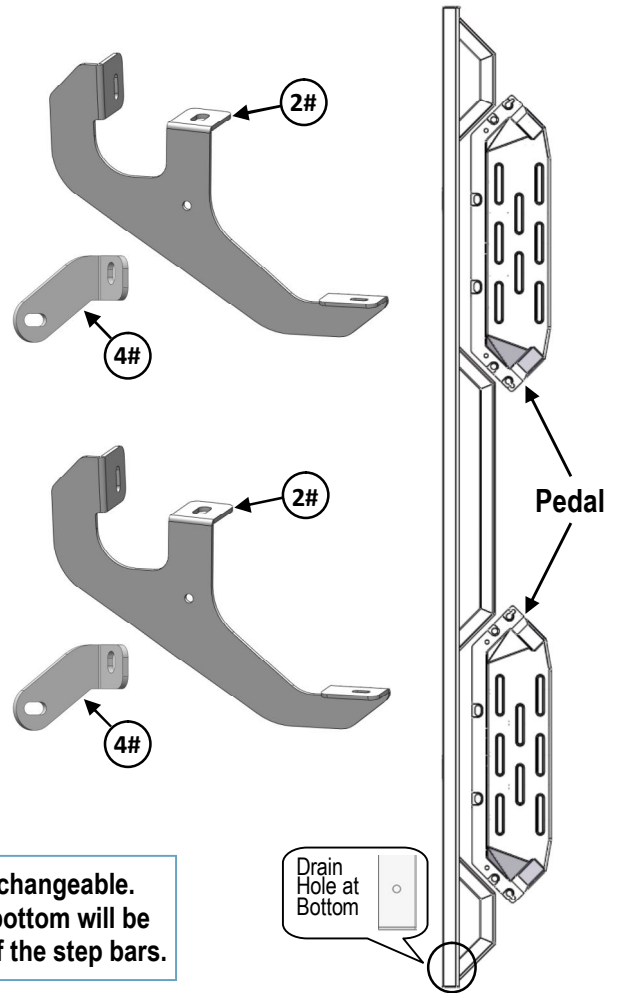
Driver Side Step Bar



Front



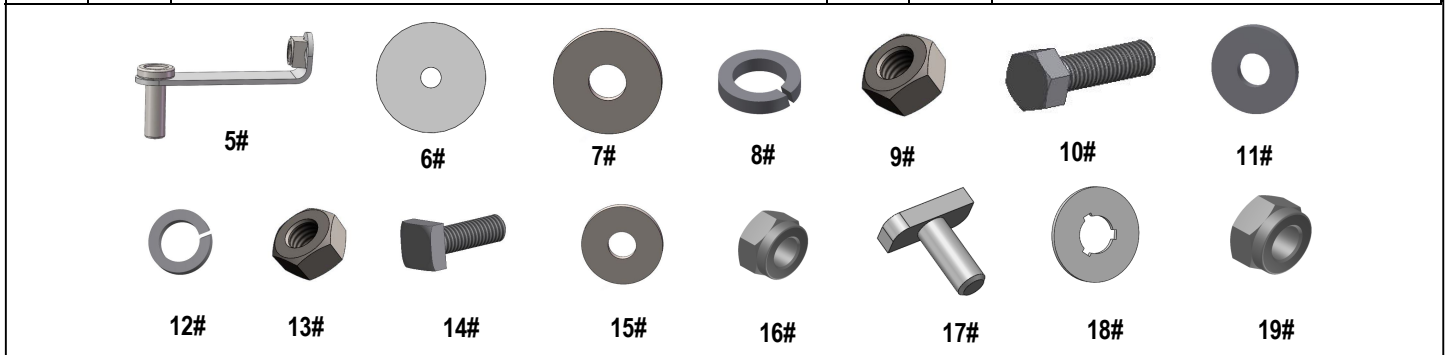
Passenger Side Step Bar



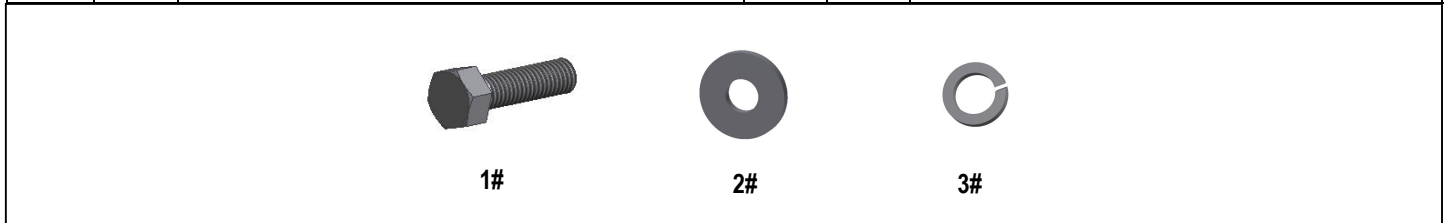
Note: Step bars are NOT interchangeable. Make sure drain holes at the bottom will be located at the rear direction of the step bars.

iArmor®

| Hardware Package A (For Brackets & Bars Installation) | | | | | |
|---|-----|--|------|-----|---------------------------|
| Item | QTY | Description | Item | QTY | Description |
| 1# | 2 | Driver Front / Rear Mounting Brackets | 11# | 16 | M8 Large Flat Washers |
| 2# | 2 | Passenger Front / Rear Mounting Brackets | 12# | 8 | M8 Lock Washers |
| 3# | 2 | Driver Front / Rear Support Brackets | 13# | 4 | M8 Hex Nuts |
| 4# | 2 | Passenger Front / Rear Support Brackets | 14# | 4 | M6X1-20 Square Head Bolts |
| 5# | 4 | M10 Bolt / M8 Nut Plates | 15# | 4 | M6 Large Flat Washers |
| 6# | 4 | M10 Plastic Washers | 16# | 4 | M6 Nylon Lock Nuts |
| 7# | 4 | M10 Large Flat Washers | 17# | 4 | M8X1.25-20 T Bolts |
| 8# | 4 | M10 Lock Washers | 18# | 4 | M8 Plastic Washers |
| 9# | 4 | M10 Hex Nuts | 19# | 4 | M8 Nylon Lock Nuts |
| 10# | 8 | M8X1.25-30 Hex Bolts | | | |



| Hardware Package B (For Step Pedals Installation) | | | | | |
|---|-----|-----------------------|------|-----|-----------------|
| Item | QTY | Description | Item | QTY | Description |
| 1# | 24 | M8X1.25-25 Hex Bolts | 3# | 24 | M8 Lock Washers |
| 2# | 24 | M8 Large Flat Washers | | | |



Customer Support: info@iarmorauto.com

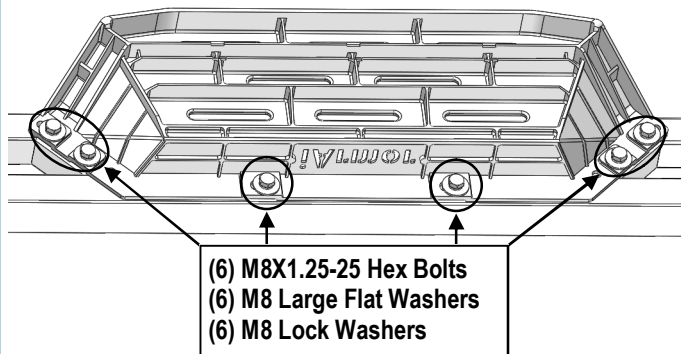
iArmor®

The instruction here is for your reference only. We strongly recommend the professional installer for best result. We are not responsible for any damage caused by the installation.

STEP 1

Install (4) Pedals onto the step bars with (24) M8X1.25-25mm Hex Bolts, (24) M8 Large Flat Washers and (24) M8 Lock Washers.

IMPORTANT: Don't punch the pedal with any metal hammer within pedal installation, or the pedal will be damaged.

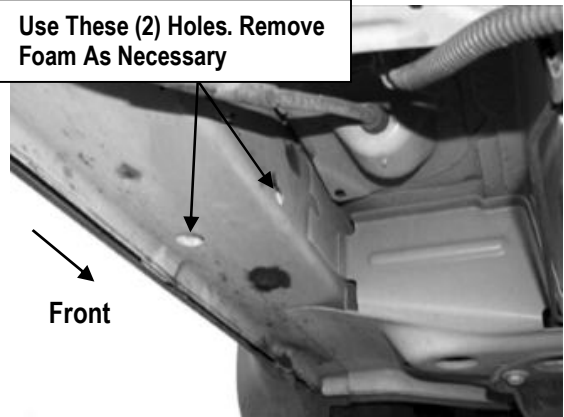


STEP 2

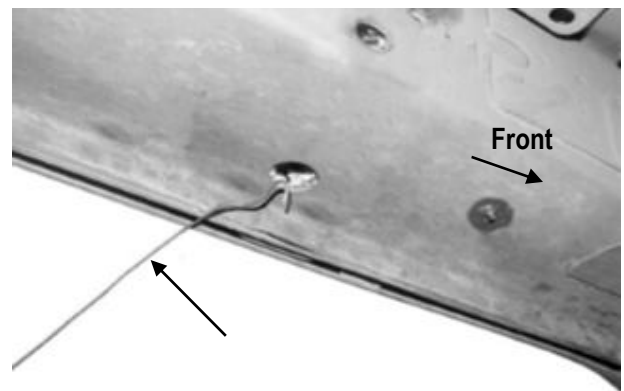
Start installation from the driver side of the vehicle. Locate the factory holes at the bottom and inner side of the floor panel, (Fig 1).

IMPORTANT: On some vehicles, the body panel may be filled with expanding foam insulation. Clear out the foam inside the mounting holes, (Fig 2).

Use These (2) Holes. Remove Foam As Necessary



(Fig 1) Driver Side Front Mounting Location



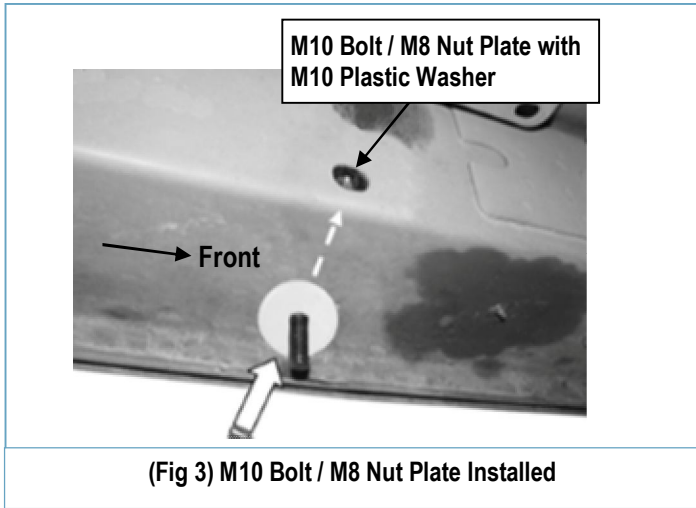
(Fig 2) Clear Out The Foam In The Mounting Holes
(Use Wire To Pull Foam From Floor Panel)

STEP 3

Select (1) M10 Bolt / M8 Nut Plate. Insert the bent end with the 8mm nut into the hole in the bottom of the floor panel, (Fig 3). Line up the hex nut with the hole in the side of the floor panel. Thread (1) M10 Plastic Washer onto the M10 Bolt end of the Bolt /Nut Plate, (Fig 3).

NOTE: The Plastic Washer is provided to hold the Bolt /Nut Plate in position during Bracket installation.

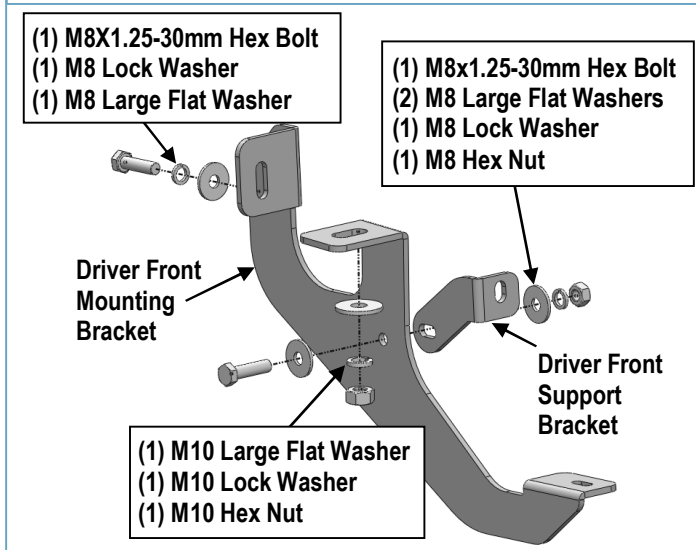
iArmor®



STEP 4

Select (1) Driver Front Mounting Bracket and Driver Front Support Bracket, assemble with (1) M8X1.25-30mm Hex Bolt, (2) M8 Large Flat Washers (1) M8 Lock Washer and (1) M8 Hex Nut, (Fig 4). Do not fully tighten hardware at this time.

Attach the assembled Bracket to the installed M10 Bolt with (1) M10 Large Flat Washer, (1) M10 Lock Washer and (1) M10 Hex Nut. Attach the Bracket to the M8 Nut with (1) M8X1.25-30mm Hex Bolt, (1) M8 Lock Washer and (1) M8 Large Flat Washer, (Fig 4). Do not fully tighten hardware at this time.

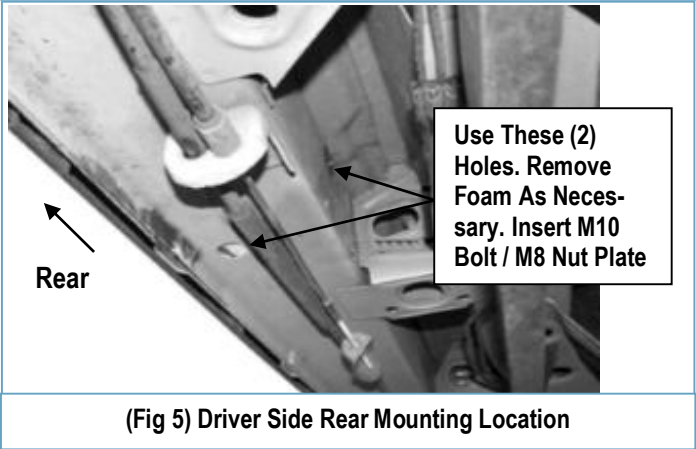


(Fig 4) Driver Front Brackets Assembly And Installation

STEP 5

Move to the Driver Side Rear Mounting Location of the vehicle. Locate the round hole in the bottom of the floor panel as described in Step 2, (Fig 5). Repeat Steps 3 – 4 to install the Driver Rear Mounting Bracket and Driver Rear Support Bracket in the rear location.

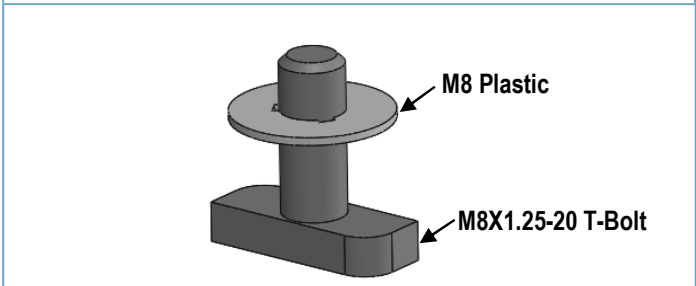
Note: Driver Front & Rear Mounting Brackets are universal. Driver Front & Rear Support Brackets are universal.



STEP 6

Once all (2) brackets have been installed, select (2) M8X1.25-20mm T-Bolts, thread (1) M8 Plastic Washer on each T-Bolt, (Fig 6). Install the (2) M8X1.25-20mm T-Bolts with plastic washers in the slots on the assembled Driver side step bar. Rotate the T-Bolts to 90 degree, thread down the M8 Plastic Washers against the step bar (Fig 7).

NOTE: The Plastic Washer is designed to keep the T-Bolt in place to avoid falling into the tube during installation.



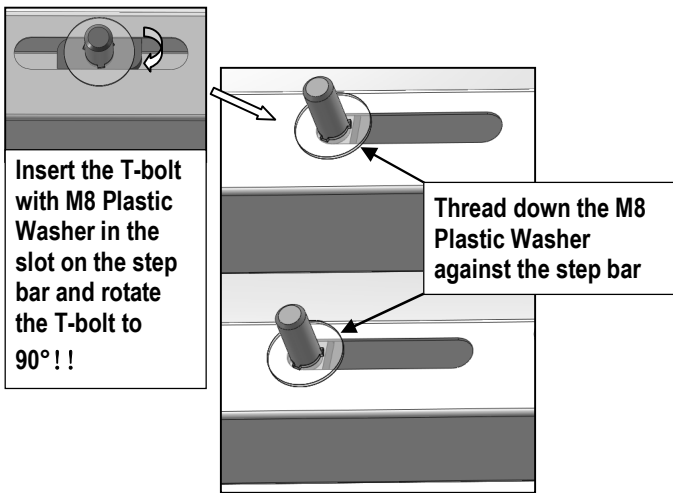
(Fig 6) Thread (1) M8 Plastic Washer on each T-Bolt Before Inserting into the slot !!!

iArmor®

STEP 7

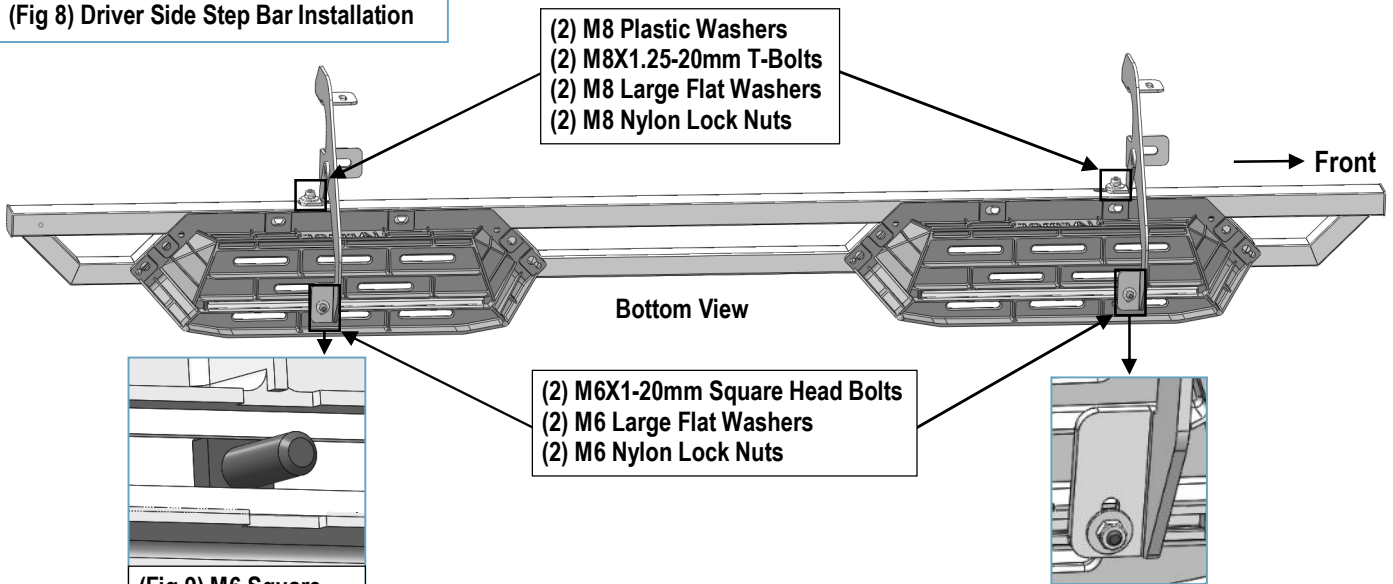
Attach the Assembled Driver Side Step Bar onto the Mounting Brackets with (2) M8 Plastic Washers, (2) M8X1.25-20mm T-Bolts, (2) M8 Large Flat Washers, (2) M8 Nylon Lock Nuts, (Fig 8). Do not fully tighten hardware at this time.

NOTE: Driver Front & Rear Mounting Brackets are located under (2) pedals. Slide (2) M6X1-20mm Square Head Bolts into the channels at the bottom of pedals (Fig 9). And secure the Driver Front & Rear Mounting Brackets to pedals with (2) M6 Large Flat Washers and (2) M6 Nylon Lock Nuts, (Fig 8). Do not fully tighten hardware at this time.



(Fig 7) T-Bolt with plastic washer in the slot

(Fig 8) Driver Side Step Bar Installation



(Fig 9) M6 Square Bolt in the Channel

STEP 8

Level and adjust the assembled Step Bar properly and tighten all hardware.

Move to the other side of the vehicle. Repeat **Steps 2-7** for the other side step bar installation.

Attention

Do periodic inspections to the installation to make sure that all hardware is secure and tight.

In order to protect your bars/boards, please use mild soap/non-abrasive products for cleaning only.