



Hitch Installation Instruction

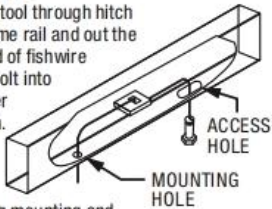
REV.20240601

Part#	HT-X30068		Application	For 1999-2017 Honda Odyssey				
Hardware List	Item	Part Name	QTY	Description	Item	Part Name	QTY	Description
Hitch Parts	A	Hitch Body	1		B/C	Mounting Brackets	2	B-Driver Side C-Passenger Side
HW B (For Hitch Installation)	1#	Hex Bolts	4	M12X1.25-35	4#	Square Hole Spacer	1	6X22X57-10.5
	2#	Conical Washer	4	M12	5#	Carriage Bolt	1	M10X1.5-35
	3#	Hex Flange Nut	1	M10X1.5	6#	Fish Wire	1	For installing bolts
HW A (For Hitch Assembly)	7#	Hex Bolts	8	M12X1.75-35	9#	Hex Flange Nuts	8	M12
	8#	Flat Washers	16	M12				

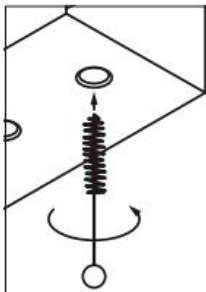
Gross Load Capacity When Used As A Weight Carrying Hitch: 3500 LBS. Trailer Weight & 350 LBS. Tongue Weight.
 Gross Load Capacity When Used As A Weight Distribution Hitch: 5000 LBS. Trailer Weight & 500 LBS. Tongue Weight
*****DO NOT EXCEED VEHICLE MANUFACTURER'S RECOMMENDED TOWING CAPACITY.*****

FISHWIRE TECHNIQUE

Insert coiled end of fishwire tool through hitch mounting hole in vehicle frame rail and out the access hole. Pass coiled end of fishwire through spacer and thread bolt into coil. Kink wire to keep spacer separate from bolt as shown. Pull fishwire, spacer and bolt through frame and out mounting hole. Use fishwire to guide hitch during mounting and prevent loss of bolt or spacer inside frame rail.



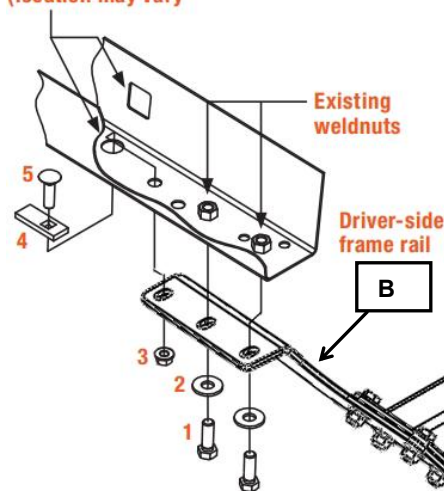
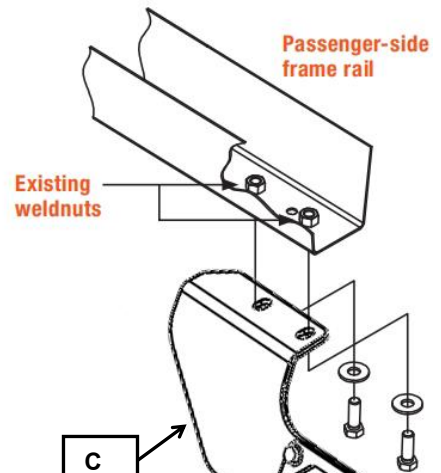
* Trimming May Be Required
 * No Drilling Required



WELDNUT CLEANING

To remove debris from weldnuts in frame, spray lubricant or compressed air into the hole.
 For heavy debris, use a wire brush. Take care not to damage threads.

Existing access hole
 (location may vary)



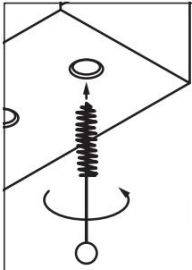


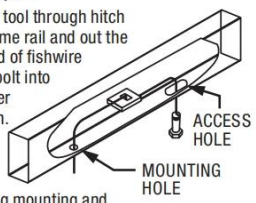


The instruction here is for your reference only. We strongly recommend the professional installer for best result. We are not responsible for any damage caused by the installation. Thank you for choosing our product!



Hitch Installation Instruction

REV.20240601

Part#	HT-X30068	Application	For 1999-2017 Honda Odyssey
Step	Description		
1	Assemble Hitch Body (A) and Mounting Brackets (B, C) with (8) M12X1.75-35mm Hex Bolts, (16) M12 Flat Washers, (8) M12 Hex Flange Nuts.(Hardware in "HW A").		
2	If present, remove (5) fasteners and the plastic fascia covering the driver side frame rail. NOTE: You may trim fascia and re-attach after hitch installation.		
3	Locate (2) weldnuts near the end of each frame rail. Clean weldnuts of debris and rust to ease hitch installation.(See weldnut cleaning)		 <p>WELDNUT CLEANING To remove debris from weldnuts in frame, spray lubricant or compressed air into the hole. For heavy debris, use a wire brush. Take care not to damage threads.</p>
4	Raise the Hitch into position by sliding the passenger side plate over the exhaust first. Secure the hitch into position using M12-1.25 x 35mm bolts and M12 Conical Washers.		
5	On the driver side frame rail fishwire a M10X1.5-35 carriage bolt and spacer through the access hole and into the existing hole in the bottom of the frame rail. Secure with M10 flange nut. (See fishwire technique)		<p>FISHWIRE TECHNIQUE Insert coiled end of fishwire tool through hitch mounting hole in vehicle frame rail and out the access hole. Pass coiled end of fishwire through spacer and thread bolt into coil. Kink wire to keep spacer separate from bolt as shown. Pull fishwire, spacer and bolt through frame and out mounting hole. Use fishwire to guide hitch during mounting and prevent loss of bolt or spacer inside frame rail.</p> 
6	Tighten all fasteners: Torque all M10 hardware to 32 ft-lbs; Torque all M12 hardware to 86 ft-lbs.		
***Periodically Check The Receiver Hitch To Ensure That All Fasteners *** Are Tight & All Structural Components Are Sound.			

The instruction here is for your reference only. We strongly recommend the professional installer for best result. We are not responsible for any damage caused by the installation. Thank you for choosing our product!