



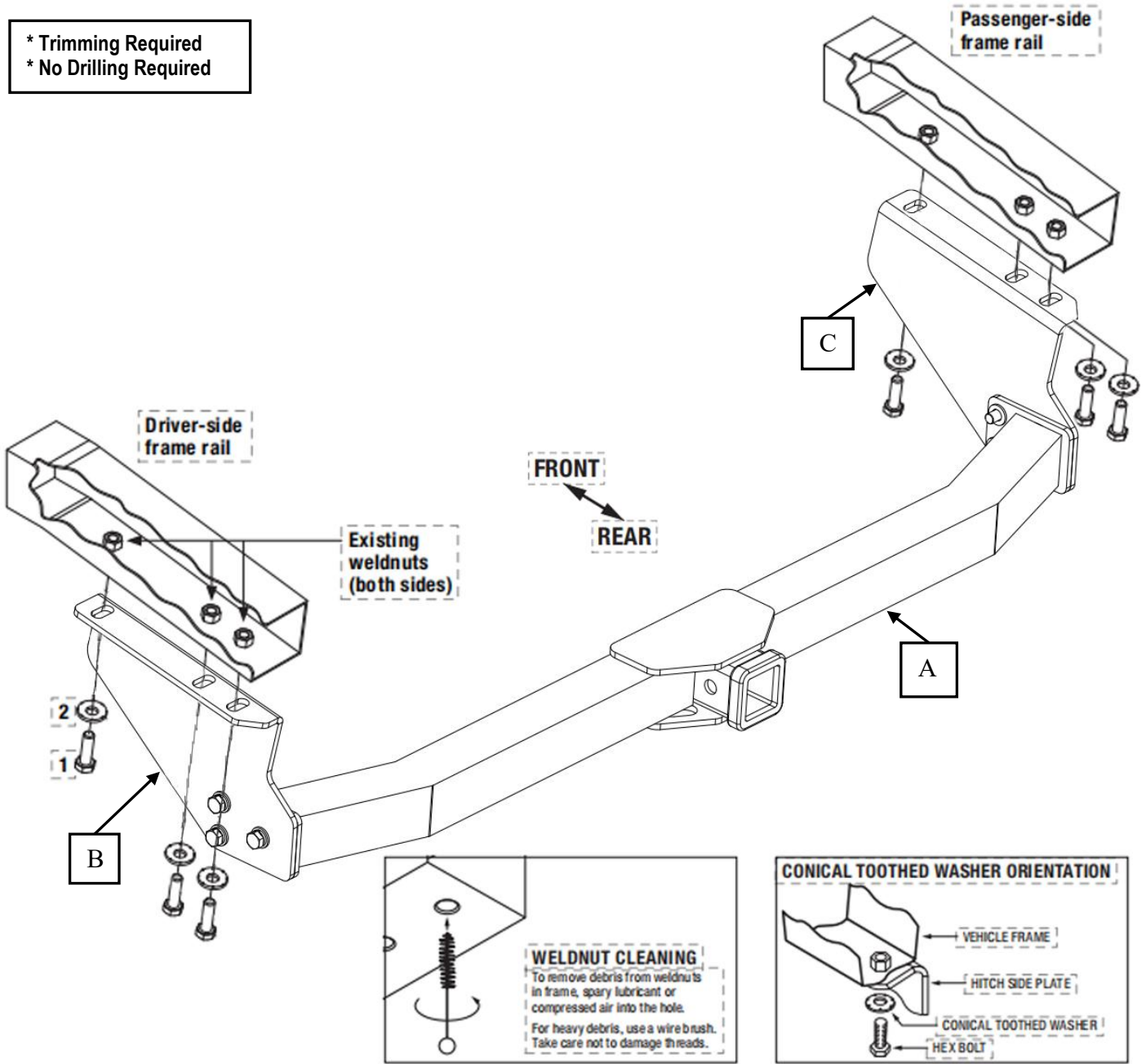
Hitch Installation Instruction

REV.20260301

Part#	HT-X30470		Application	2021-2025 Toyota Sienna					
Hardware List	Item	Part Name	QTY	Description	Item	Part Name	QTY	Description	
Hitch Parts	A	Hitch Body	1		B/C	Mounting Brackets	2	B-Driver Side C-Passenger Side	
HW B (For Hitch Installation)	1#	Hex Bolts	6	M12X1.25-40	2#	Conical Washers	6	M12	
HW A (For Hitch Assembly)	3#	Hex Bolts	6	M12X1.75-35	5#	Hex Nuts	4	M12	
	4#	Flat Washers	10	M12	6#	Lock Washers	6	M12	

Gross Load Capacity When Used As A Weight Carrying Hitch: 3500 LBS. Trailer Weight & 350 LBS. Tongue Weight.
 Gross Load Capacity When Used As A Weight Distribution Hitch: 5000 LBS. Trailer Weight & 500 LBS. Tongue Weight
*****DO NOT EXCEED VEHICLE MANUFACTURER'S RECOMMENDED TOWING CAPACITY.*****

* Trimming Required
 * No Drilling Required



The instruction here is for your reference only. We strongly recommend the professional installer for best result. We are not responsible for any damage caused by the installation. Thank you for choosing our product!



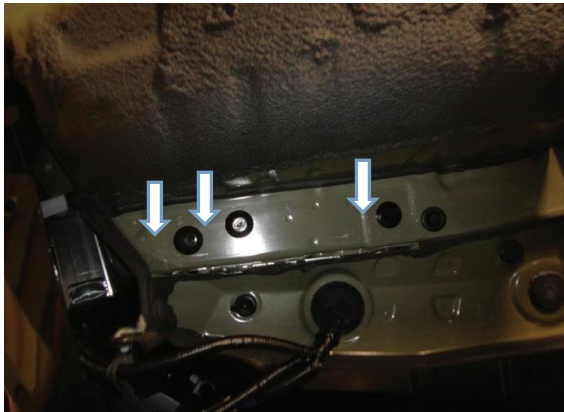
Hitch Installation Instruction

Part#	HT-X30470	Application	2021-2025 Toyota Sienna
-------	-----------	-------------	-------------------------

Step	Description
1	Assemble Hitch Body (A) and Mounting Brackets (B, C) with (6) M12X1.25-40mm Hex Bolts, (6) M12 Conical Washers.(Hardware in "HW A"). Note:Finger tighten only. Do not fully tighten at this time.
2	Remove the under body panel from the passenger side of the vehicle by removing (3) push fasteners and (3) screws using a 10mm socket.



3	Remove the (3) hole plugs and clean the weld nuts in each frame rail.
---	---



4	Raise the trailer hitch into position and secure with (3) M12 Hex Bolts and (3) Conical Washers on each side.
---	---



The instruction here is for your reference only. We strongly recommend the professional installer for best result. We are not responsible for any damage caused by the installation. Thank you for choosing our product!



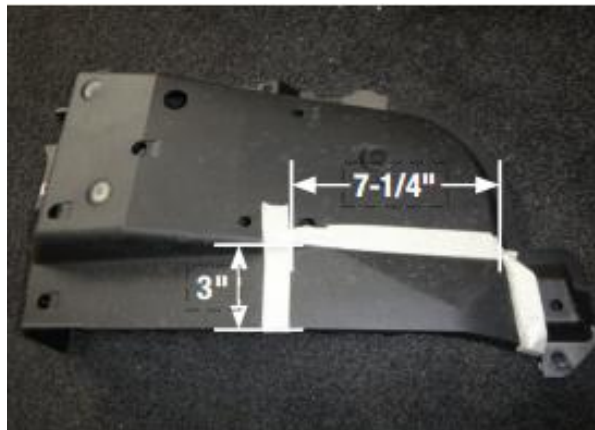
Hitch Installation Instruction

Part#	HT-X30470	Application	2021-2025 Toyota Sienna
-------	-----------	-------------	-------------------------

- 5 Torque all M12 bolts to 83 ft-lbs.



- 6 Trim the under body panel using the groves on the panel as guides. A trim diagram is provided for reference. Reinstall the panel using the factory hardware.



The instruction here is for your reference only. We strongly recommend the professional installer for best result. We are not responsible for any damage caused by the installation. Thank you for choosing our product!