



Hitch Installation Instruction

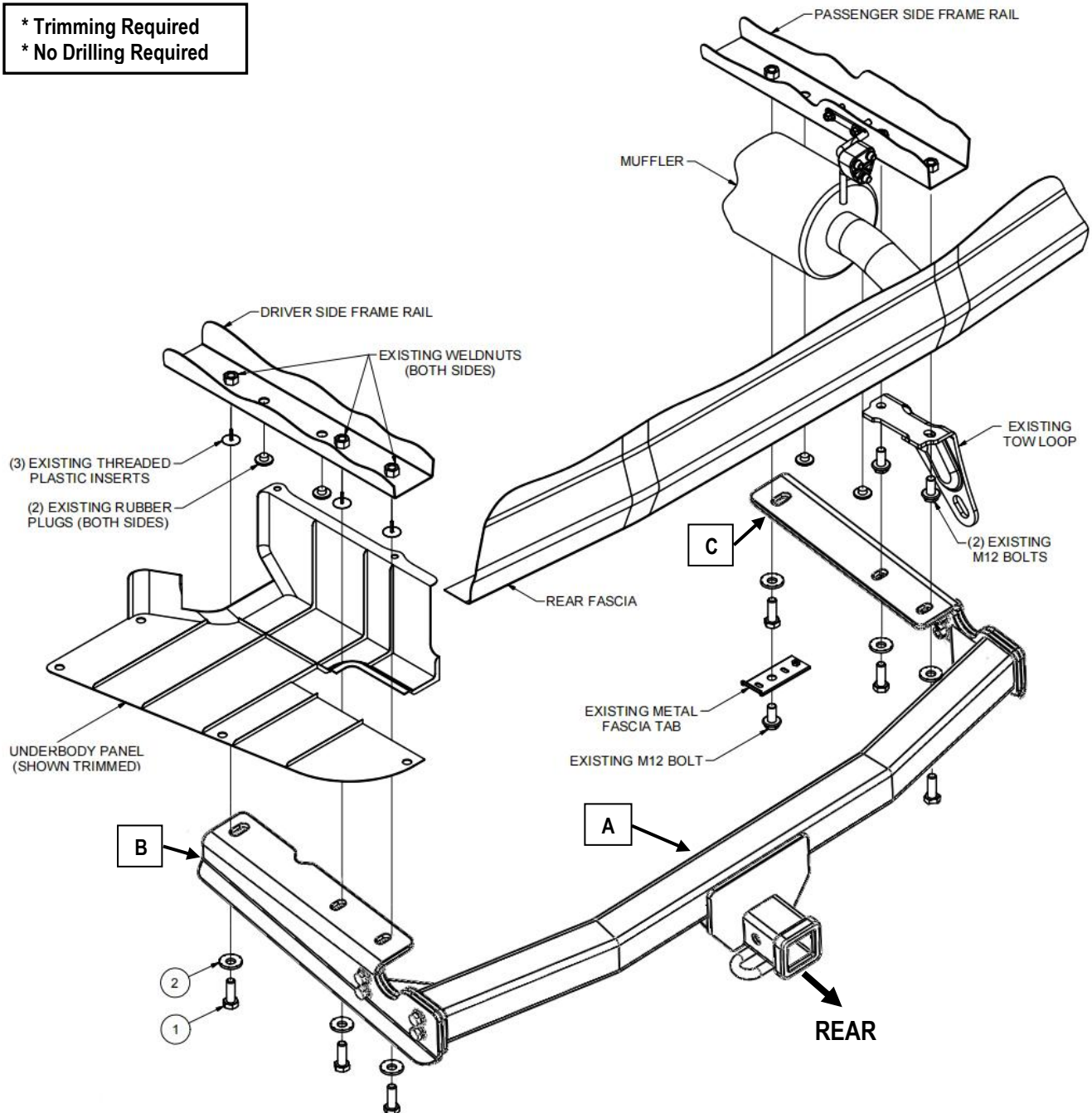
REV.20240601

Part#	HT-X30453	Application	For 2020-2024 Toyota Highlander
-------	-----------	-------------	---------------------------------

Hardware List	Item	Part Name	QTY	Description	Item	Part Name	QTY	Description
Hitch Parts	A	Hitch Body	1		B/C	Mounting Brackets	2	B-Driver Side C-Passenger Side
HW B (For Hitch Installation)	1	Hex Bolts	6	M12X1.25-35	2	Conical Washers	6	M12
HW A (For Hitch Assembly)	3	Hex Bolts	8	M12X1.75-35	5	Lock washers	8	M12
	4	Flat Washers	12	M12	6	Hex Nuts	4	M12

Gross Load Capacity When Used As A Weight Carrying Hitch: 5000 LBS. Trailer Weight & 500 LBS. Tongue Weight.
*****DO NOT EXCEED VEHICLE MANUFACTURER'S RECOMMENDED TOWING CAPACITY.*****

- * Trimming Required
- * No Drilling Required

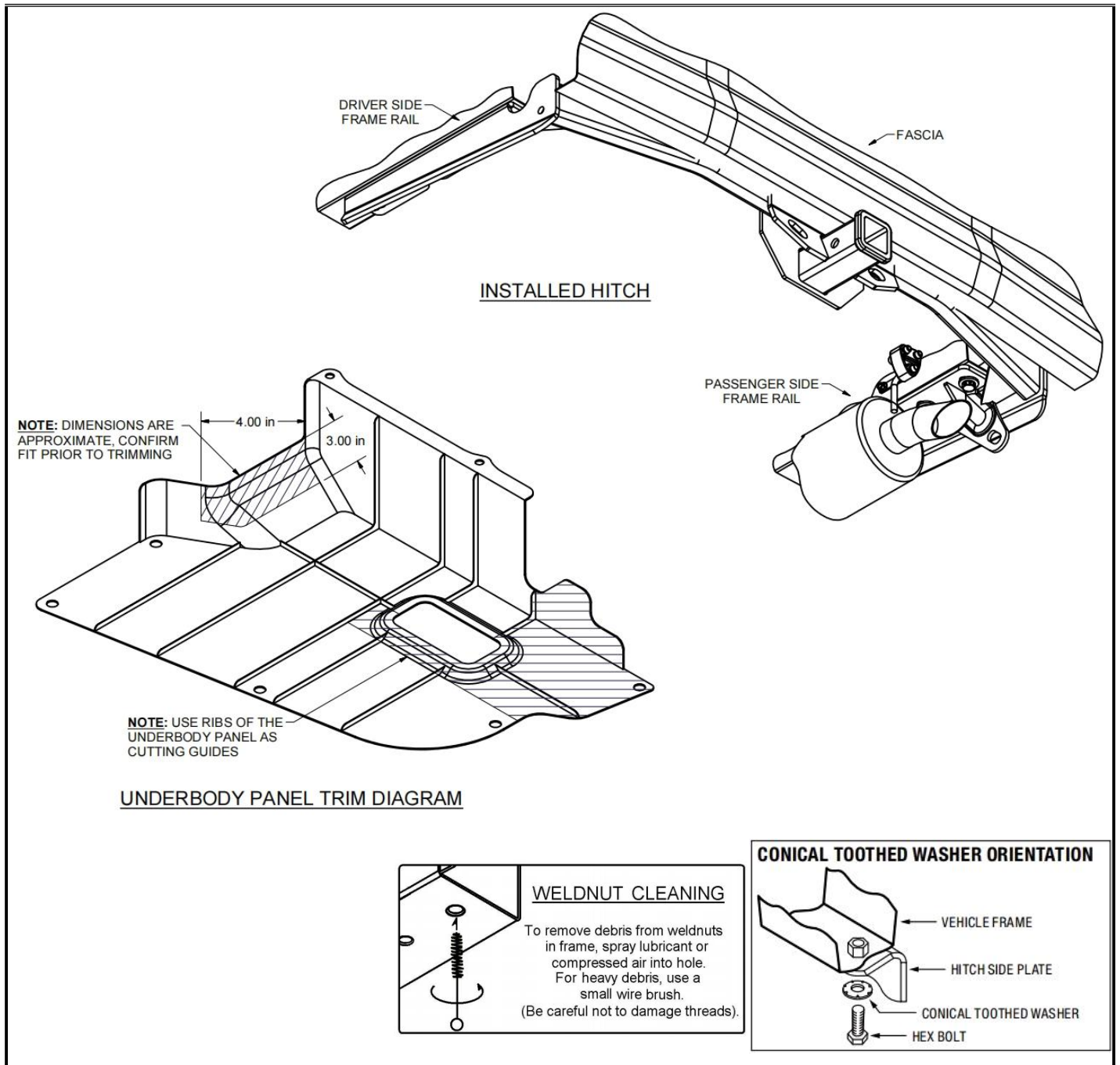


The instruction here is for your reference only. We strongly recommend the professional installer for best result.
 We are not responsible for any damage caused by the installation. Thank you for choosing our product!



Hitch Installation Instruction

Part#	HT-X30453	Application	For 2020-2024 Toyota Highlander
-------	-----------	-------------	---------------------------------







Step	Description
1	Assemble Hitch Body (A) and Mounting Brackets (B, C) with (8) M12X1.75-35mm Hex Bolts, (12) M12 Flat Washers, (8) M12 Lock Washers, (4) M12 Hex Nuts. (Hardware in "HW A").
2	Remove the (5) fasteners securing the driver side underbody panel. After lowering the underbody panel return it to the owner or trim and reinstall in Step (5). Remove (1) fastener from the outermost bumper support tabs and bend tabs down.

The instruction here is for your reference only. We strongly recommend the professional installer for best result. We are not responsible for any damage caused by the installation. Thank you for choosing our product!



Hitch Installation Instruction

Part#	HT-X30453	Application	For 2020-2024 Toyota Highlander
			
3	Remove the (2) rubber plugs from each of the frame rails. Unscrew the (3) threaded plastic inserts from the driver side frame rail and (2) from the passenger side frame rail. Return plugs and inserts to owner.		
			
4	Remove the M12 bolt securing the metal fascia tab to the passenger side frame rail. Return the fascia tab and fasteners to owner.		
			
5	Raise the hitch over the exhaust and align the holes in the hitch with the weldnuts in the frame. Secure the hitch to the frame using the supplied M12-1.25 hex bolts and M12 conical washers. Torque all 12mm hardware to 86 ft-lbs. Reinstall the bumper fascia tabs removed in Step 1.		

The instruction here is for your reference only. We strongly recommend the professional installer for best result. We are not responsible for any damage caused by the installation. Thank you for choosing our product!

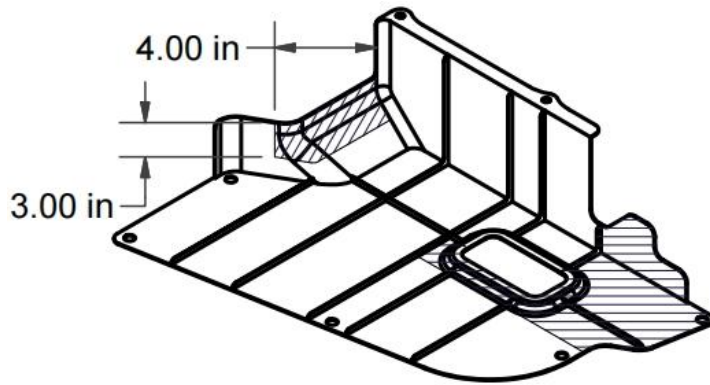


Hitch Installation Instruction

Part#	HT-X30453	Application	For 2020-2024 Toyota Highlander
-------	-----------	-------------	---------------------------------



6 Mark and trim underbody panel. Reattach underbody panel using fasteners removed in Step (1).
Note: See underbody panel trim diagram. Dimensions are approximate, confirm fit prior to trimming. Use ribs of the underbody panel as cutting guides.



*****Periodically Check The Receiver Hitch To Ensure That All Fasteners ***
Are Tight & All Structural Components Are Sound.**

The instruction here is for your reference only. We strongly recommend the professional installer for best result. We are not responsible for any damage caused by the installation. Thank you for choosing our product!