



# Hitch Installation Instruction

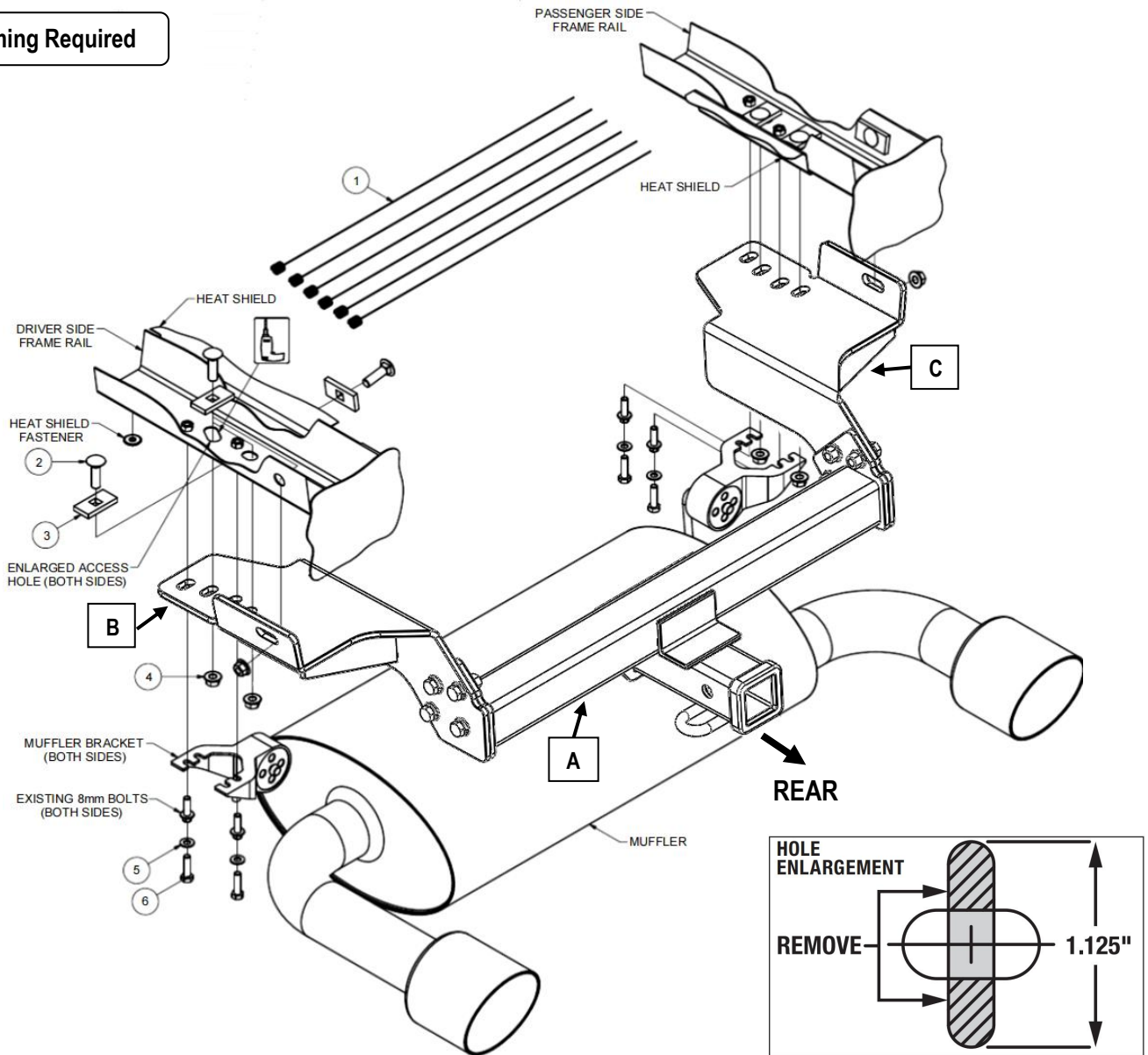
REV.20240601

<b>Part#</b>	HT-X30186	<b>Application</b>	For 2013-2019 Ford Escape
--------------	-----------	--------------------	---------------------------

Hardware List	Item	Part Name	QTY	Description	Item	Part Name	QTY	Description
<b>Hitch Parts</b>	A	Hitch Body	1		B/C	Mounting Brackets	2	B-Driver Side C-Passenger Side
<b>HW B (For Hitch Installation)</b>	1#	Fishwire	6		4#	Hex Flange Nuts	6	M12X1.75
	2#	Carriage Bolts	6	M12X1.75-40	5#	Flat Washers	4	M8
	3#	Square Spacers	6		6#	Hex Bolts	4	M8X1.25-30
<b>HW A (For Hitch Assembly)</b>	7#	Hex Bolts	8	M12X1.75-35	9#	Lock washers	8	M12
	8#	Flat Washers	14	M12	10#	Hex Nuts	6	M12

Gross Load Capacity When Used As A Weight Carrying Hitch:3500 LBS. Trailer Weight & 350 LBS. Tongue Weight.  
 Gross Load Capacity When Used As A Weight Distribution Hitch:5000 LBS. Trailer Weight & 500 LBS. Tongue Weight.  
**\*\*\*DO NOT EXCEED VEHICLE MANUFACTURER'S RECOMMENDED TOWING CAPACITY.\*\*\***

## Trimming Required



The instruction here is for your reference only. We strongly recommend the professional installer for best result. We are not responsible for any damage caused by the installation. Thank you for choosing our product!



# Hitch Installation Instruction

REV.20240601

<b>Part#</b>	HT-X30186	<b>Application</b>	For 2013-2019 Ford Escape
--------------	-----------	--------------------	---------------------------

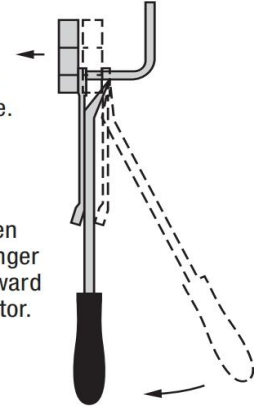
## RUBBER ISOLATOR REMOVAL DIAGRAM

This technique can be used if exhaust hanger removal pliers are not available.

Using a 5/8" open end wrench, slide the wrench up to the rubber isolator, cradling the hanger rod as shown.

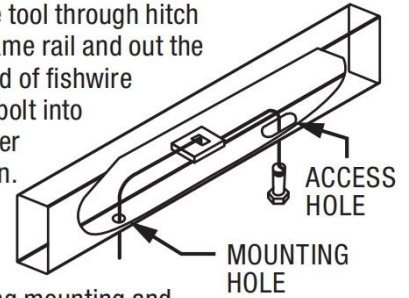
Place the flat edge of a pry bar between the wrench and the hanger stop or hanger rod. Then simply rotate the pry bar toward the wrench to remove the rubber isolator.

**Note:** Using a lubricant or soapy water on the hanger rod and the rubber isolator helps removal.



## FISHWIRE TECHNIQUE

Insert coiled end of fishwire tool through hitch mounting hole in vehicle frame rail and out the access hole. Pass coiled end of fishwire through spacer and thread bolt into coil. Kink wire to keep spacer separate from bolt as shown. Pull fishwire, spacer and bolt through frame and out mounting hole. Use fishwire to guide hitch during mounting and prevent loss of bolt or spacer inside frame rail.



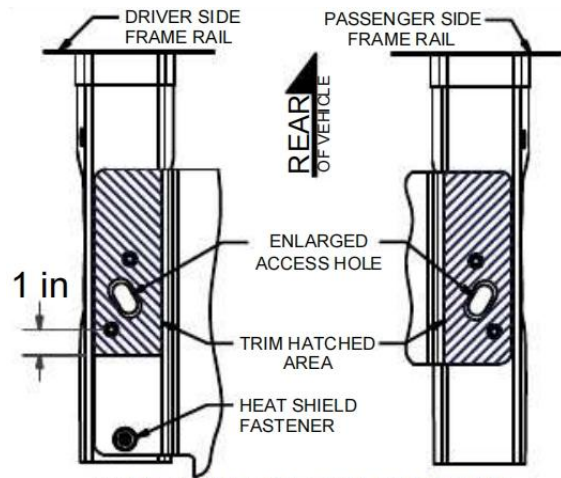
Step	Description
------	-------------

1	Assemble Hitch Body (A) and Mounting Brackets (B, C) with (8) M12X1.75-35mm Hex Bolts, (14) M12 Flat Washers, (8) M12 Lock Washers, (6) M12 Hex Nuts.(Hardware in "HW A").
---	--

2	Lower the exhaust by removing the (4) M8 Bolts from the muffler brackets and the forward rubber isolator. See Rubber Isolator Removal Diagram.
---	--



3	Remove the (1) fastener securing the heat shield to the bottom of the driver side frame rail. Trim the portion of the heat shield covering the mounting areas of the driver and passenger side frame rails, see trim diagram. After trimming re-attach the heat shield to the bottom of the driver side.
---	--



**HEAT SHIELD TRIM DIAGRAM**

The instruction here is for your reference only. We strongly recommend the professional installer for best result. We are not responsible for any damage caused by the installation. Thank you for choosing our product!





# Hitch Installation Instruction

REV.20240601

<b>Part#</b>	HT-X30186	<b>Application</b>	For 2013-2019 Ford Escape
--------------	-----------	--------------------	---------------------------

Enlarge the access holes to allow M12 carriage bolts to pass through. Fishwire the M12 carriage bolts and spacers in the enlarged access hole and out the (2) rear-most mounting holes, both sides. Reverse fishwire the M12 carriage bolt and spacer in the enlarged access hole, both sides. **Note:** Leave fishwires attached to prevent loss into the frame rails. Push the side fasteners back into the frame rail prior to raising the hitch into position.

4



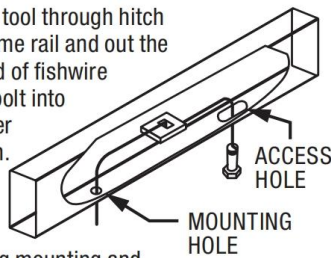
Slide the hitch in from the rear passenger side of the vehicle over the exhaust and into position.

**Note:** Feed the fishwires through the mounting holes while raising the hitch.

5

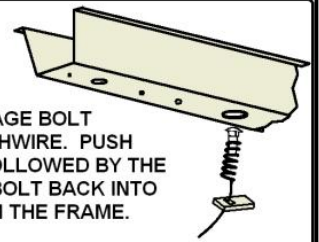
### FISHWIRE TECHNIQUE

Insert coiled end of fishwire tool through hitch mounting hole in vehicle frame rail and out the access hole. Pass coiled end of fishwire through spacer and thread bolt into coil. Kink wire to keep spacer separate from bolt as shown. Pull fishwire, spacer and bolt through frame and out mounting hole. Use fishwire to guide hitch during mounting and prevent loss of bolt or spacer inside frame rail.



### REVERSE PULL FISHWIRE TECHNIQUE

ATTACH FISHWIRE TO CARRIAGE BOLT AND SLIDE SPACER ONTO FISHWIRE. PUSH THE BOLT THRU THE HOLE FOLLOWED BY THE SPACER (AS SHOWN). PULL BOLT BACK INTO POSITION, PROTRUDING FROM THE FRAME.



Remove the fishwires from the carriage bolts in the bottom of the frame rails and loosely secure the hitch with M12 Flange nuts. Pull the fishwires through the side mounting holes and loosely secure them with M12 flange nuts. Re-attach the muffler brackets to the bottom of the hitch into the original mounting holes using the provided M8 hex bolts and washers.

6



7

Torque M12 Carriage Bolt to 58 ft-lbs. Torque M8 hardware to 18 ft-lbs. Re-attach rubber isolator removed in Step 1. Installation Complete.

**\*\*\*Periodically Check The Receiver Hitch To Ensure That All Fasteners \*\*\*  
Are Tight & All Structural Components Are Sound.**

The instruction here is for your reference only. We strongly recommend the professional installer for best result. We are not responsible for any damage caused by the installation. Thank you for choosing our product!