



Hitch Installation Instruction

REV.20240601

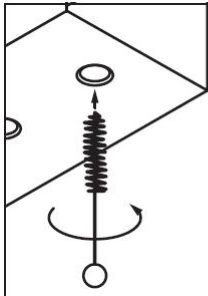
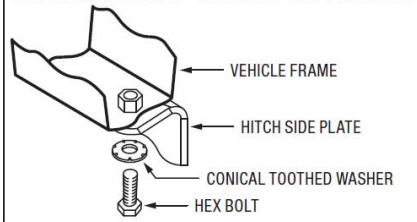
Part#	HT-X30146	Application	For 2014-2020 Acura MDX ALL / 2016-2021 Honda Pilot ALL					
-------	-----------	-------------	---	--	--	--	--	--

Hardware List	Item	Part Name	QTY	Description	Item	Part Name	QTY	Description
Hitch Parts	A	Hitch Body	1		B/C	Mounting Brackets	2	B-Driver Side C-Passenger Side
HW B (For Hitch Installation)	1#	Hex Bolts	6	M14 X1.5-40	2#	Conical Washer	6	M14
HW A (For Hitch Assembly)	3#	Hex Bolts	8	M12X1.75-35	5#	Hex Flange Nuts	8	M12
	4#	Flat Washers	16	M12				

Gross Load Capacity When Used As A Weight Carrying Hitch: 6000 LBS. Trailer Weight & 900 LBS. Tongue Weight.
 Gross Load Capacity When Used As A Weight Distribution Hitch: 8000LBS. Trailer Weight & 900 LBS. Tongue Weight
*****DO NOT EXCEED VEHICLE MANUFACTURER'S RECOMMENDED TOWING CAPACITY.*****

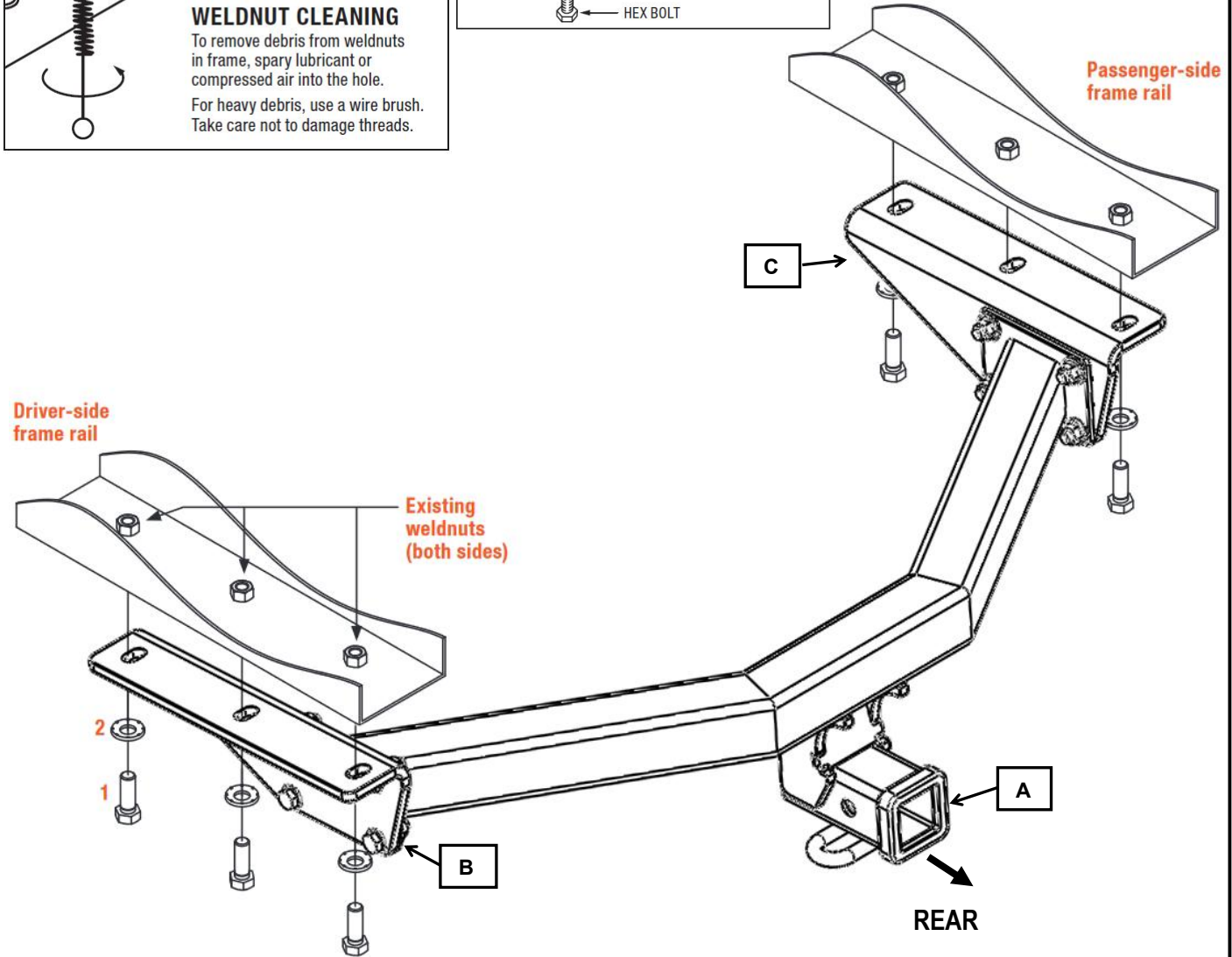
- * No Trimming Required
- * No Drilling Required

CONICAL TOOTHED WASHER ORIENTATION



WELDNUT CLEANING

To remove debris from weldnuts in frame, spray lubricant or compressed air into the hole.
 For heavy debris, use a wire brush.
 Take care not to damage threads.



The instruction here is for your reference only. We strongly recommend the professional installer for best result. We are not responsible for any damage caused by the installation. Thank you for choosing our product!



Hitch Installation Instruction

REV.20240601

Part#	HT-X30146	Application	For 2014-2020 Acura MDX ALL / 2016-2021 Honda Pilot ALL
-------	-----------	-------------	---

Step	Description
1	Assemble Hitch Body (A) and Mounting Brackets (B, C) with (8) M12X1.75-35mm Hex Bolts, (16) M12 Flat Washers, (8) M12 Hex Flange Nuts.(Hardware in "HW A").
2	Lower spare tire from inside of vehicle by using the tools under storage compartment.
3	Weldnut cleaning may be required. Raise hitch into position and secure with the M14 hardware provided. Torque M14 bolts to 126 lb-ft. Torque M12 bolts to 86 lb-ft.
4	Raise spare tire back into place following instructions step 1.
***Periodically Check The Receiver Hitch To Ensure That All Fasteners *** Are Tight & All Structural Components Are Sound.	

The instruction here is for your reference only. We strongly recommend the professional installer for best result. We are not responsible for any damage caused by the installation. Thank you for choosing our product!