



Hitch Installation Instruction

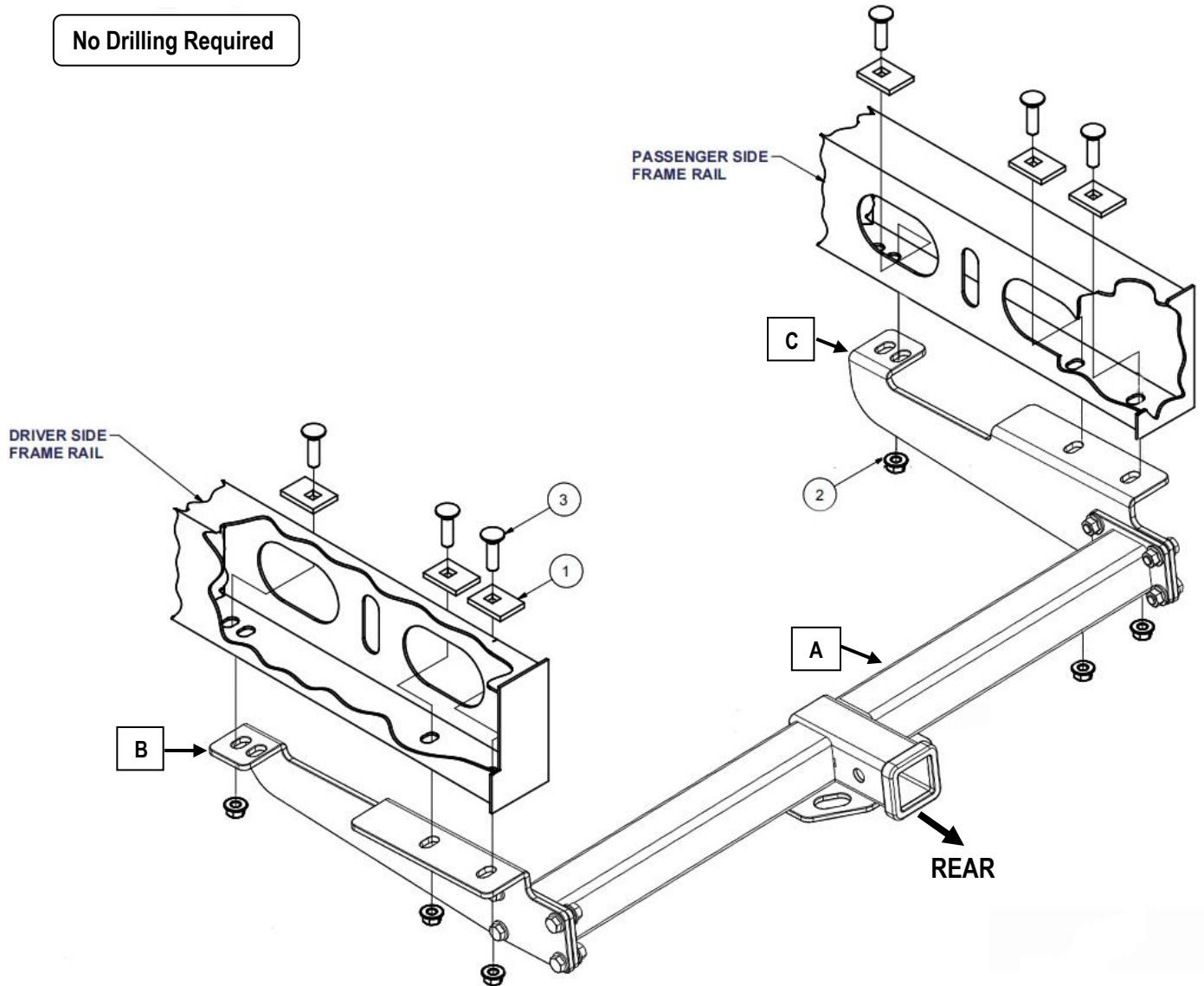
REV.20240601

Part#	HT-X39245	Application	For 1996-2014 Chevrolet Express 1500\ 1996-2024 Chevrolet Express 2500\1996-2024 Chevrolet Express 3500 (Excluding Cutaway Models)\ 1996-2014 GMC Savana 1500\ 1996-2024 GMC Savana 2500\1996-2024 GMC Savana 3500 (Excluding Cutaway Models)
-------	-----------	-------------	---

Hardware List	Item	Part Name	QTY	Description	Item	Part Name	QTY	Description
Hitch Parts	A	Hitch Body	1		B/C	Mounting Brackets	2	B-Driver Side C-Passenger Side
	HW B (For Hitch Installation)	1#	Spacers	6	With SQ hole	3#	Carriage Bolts	6
		2#	Hex Flange Nuts	6	M12X1.75			
HW A (For Hitch Assembly)	4#	Hex Bolts	8	M12X1.75-35	6#	Hex Nuts	8	M12
	5#	Flat Washers	16	M12		Flange		

Gross Load Capacity When Used As A Weight Carrying Hitch: 6000 LBS. Trailer Weight & 600 LBS. Tongue Weight.
 Gross Load Capacity When Used As A Weight Distribution Hitch: 10000 LBS. Trailer Weight & 1000 LBS. Tongue Weight.
*****DO NOT EXCEED VEHICLE MANUFACTURER'S RECOMMENDED TOWING CAPACITY.*****

No Drilling Required



The instruction here is for your reference only. We strongly recommend the professional installer for best result. We are not responsible for any damage caused by the installation. Thank you for choosing our product!



Hitch Installation Instruction

REV.20240601

Part#	HT-X39245	Application	For 1996-2014 Chevrolet Express 1500\ 1996-2024 Chevrolet Express 2500\1996-2024 Chevrolet Express 3500 (Excluding Cutaway Models)\ 1996-2014 GMC Savana 1500\ 1996-2024 GMC Savana 2500\1996-2024 GMC Savana 3500 (Excluding Cutaway Models)
--------------	-----------	--------------------	---

Step	Description
1	Assemble Hitch Body (A) and Mounting Brackets (B, C) with (8) M12X1.75-35mm Hex Bolts, (16) M12 Flat Washers, (8) M12 Hex Flange Nuts.(Hardware in "HW A").
2	Raise hitch into position.
3	Using existing holes in the frame, place M12 bolts and spacers through the access slots and into the hitch through the holes in the frame. Tighten with M12 flange nuts.
4	Torque all M12 fasteners to 58 ft-lbs.
***Periodically Check The Receiver Hitch To Ensure That All Fasteners *** Are Tight & All Structural Components Are Sound.	

The instruction here is for your reference only. We strongly recommend the professional installer for best result. We are not responsible for any damage caused by the installation. Thank you for choosing our product!