



Hitch Installation Instruction

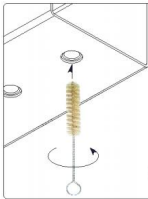
REV.20240601

Part#	HT-X39158	Application	For 2005-2017 Chevrolet Equinox 2010-2017 GMC Terrain 2006-2009 Pontiac Torrent 2002-2007 Saturn Vue
-------	-----------	-------------	---

Hardware List	Item	Part Name	QTY	Description	Item	Part Name	QTY	Description
Hitch Parts	A	Hitch Body	1		B/C	Mounting Brackets	2	B-Driver Side C-Passenger Side
HW B (For Hitch Installation)	1	Hex Bolts	6	M12X1.75-40	4	Spacers	2	Square hole spacer
	2	Conical Washers	6	M12	5	Hex Flange Nuts	2	M12X1.75
	3	Carriage Bolts	2	M12X1.75-45	6	Fish Wire	1	
HW A (For Hitch Assembly)	7	Hex Bolts	8	M12X1.75-35	9	Hex Flange Nuts	8	M12
	8	Flat Washers	16	M12				

Gross Load Capacity When Used As A Weight Carrying Hitch: 3500 LBS. Trailer Weight & 350 LBS. Tongue Weight.
Gross Load Capacity When Used As A Weight Distribution Hitch: 4000LBS. Trailer Weight & 400 LBS. Tongue Weight
*****DO NOT EXCEED VEHICLE MANUFACTURER'S RECOMMENDED TOWING CAPACITY.*****

NOTE: Fascia trimming required on Saturn Vue Redline



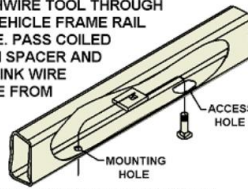
WELDNUT CLEANING

To remove debris from weldnuts in frame, spray lubricant or compressed air into hole. For heavy debris, use a small wire brush. (Be careful not to damage threads).

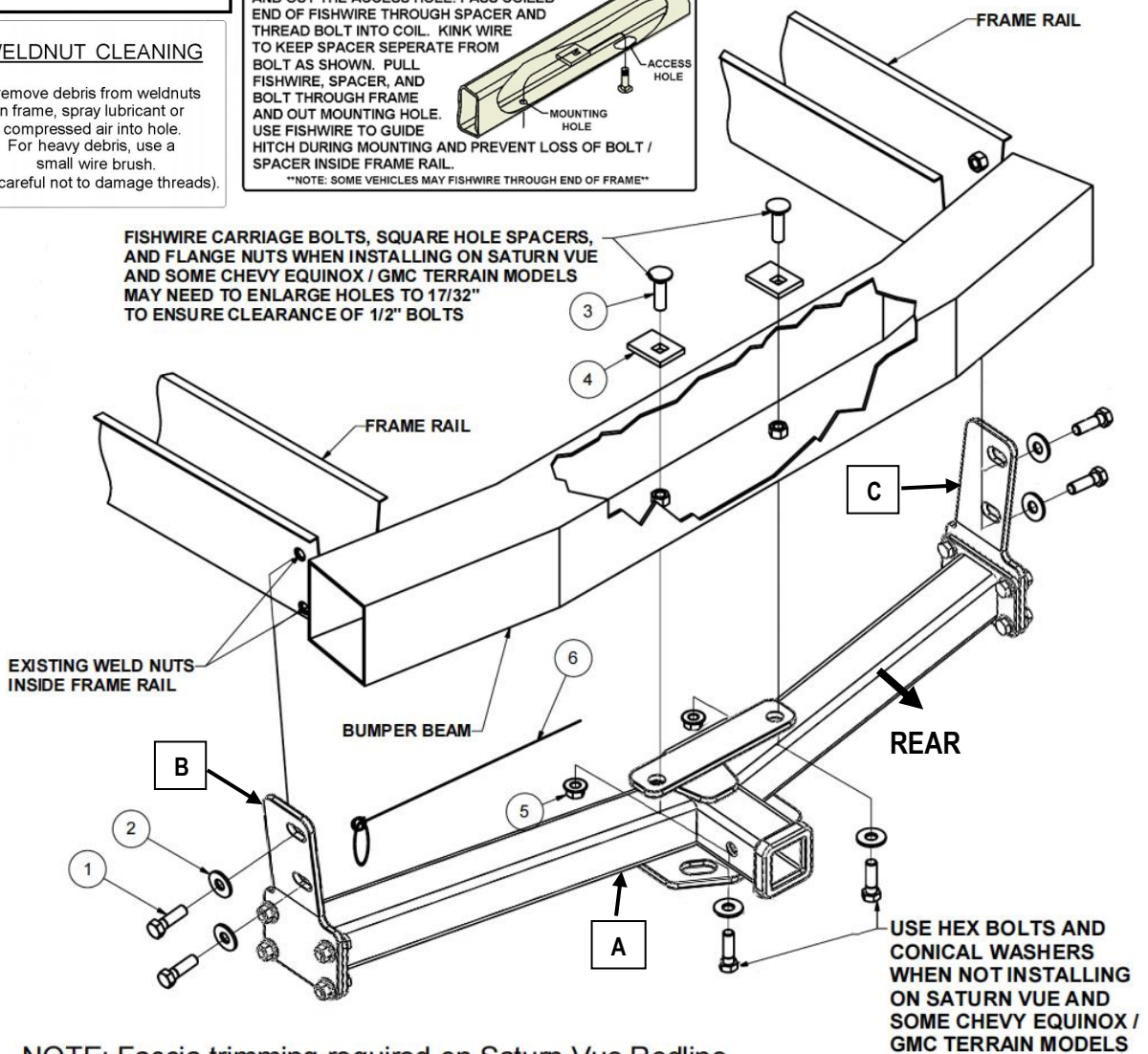
FISHWIRE TECHNIQUE

INSERT COILED END OF FISHWIRE TOOL THROUGH HITCH MOUNTING HOLE IN VEHICLE FRAME RAIL AND OUT THE ACCESS HOLE. PASS COILED END OF FISHWIRE THROUGH SPACER AND THREAD BOLT INTO COIL. KINK WIRE TO KEEP SPACER SEPERATE FROM BOLT AS SHOWN. PULL FISHWIRE, SPACER, AND BOLT THROUGH FRAME AND OUT MOUNTING HOLE. USE FISHWIRE TO GUIDE HITCH DURING MOUNTING AND PREVENT LOSS OF BOLT / SPACER INSIDE FRAME RAIL.

****NOTE: SOME VEHICLES MAY FISHWIRE THROUGH END OF FRAME****



FISHWIRE CARRIAGE BOLTS, SQUARE HOLE SPACERS, AND FLANGE NUTS WHEN INSTALLING ON SATURN VUE AND SOME CHEVY EQUINOX / GMC TERRAIN MODELS MAY NEED TO ENLARGE HOLES TO 17/32" TO ENSURE CLEARANCE OF 1/2" BOLTS



NOTE: Fascia trimming required on Saturn Vue Redline

USE HEX BOLTS AND CONICAL WASHERS WHEN NOT INSTALLING ON SATURN VUE AND SOME CHEVY EQUINOX / GMC TERRAIN MODELS

The instruction here is for your reference only. We strongly recommend the professional installer for best result. We are not responsible for any damage caused by the installation. Thank you for choosing our product!



Hitch Installation Instruction

Part#	HT-X39158	Application	For 2005-2017 Chevrolet Equinox 2010-2017 GMC Terrain 2006-2009 Pontiac Torrent 2002-2007 Saturn Vue
-------	-----------	-------------	---

Step	Description
1	Assemble Hitch Body (A) and Mounting Brackets (B, C) with (8) M12X1.75-35mm Hex Bolts, (16) M12 Flat Washers, (8) M12 Hex Flange Nuts.(Hardware in "HW A").
2	Remove the center panel of the fascia for the hitch installation (For Chevy Equinox and the GMC Terrain).
3	Remove existing M12 fasteners from outside surfaces of frame rails.
4	Raise hitch and fasten to bumper beam with M12 bolts and conical washers.
5	Fasten the hitch on outside surfaces of frame rails with M12 bolts and conical washers.
6	Remaining carriage bolts and spacers through end of bumper beam using Fish wire. (See FISHWIRE TECHNIQUE)
7	Tighten all fasteners. Torque M12 Carriage Bolt to 58 ft-lbs. Torque other M12 hardware to 86 ft-lbs.
***Periodically Check The Receiver Hitch To Ensure That All Fasteners *** Are Tight & All Structural Components Are Sound.	

The instruction here is for your reference only. We strongly recommend the professional installer for best result. We are not responsible for any damage caused by the installation. Thank you for choosing our product!