



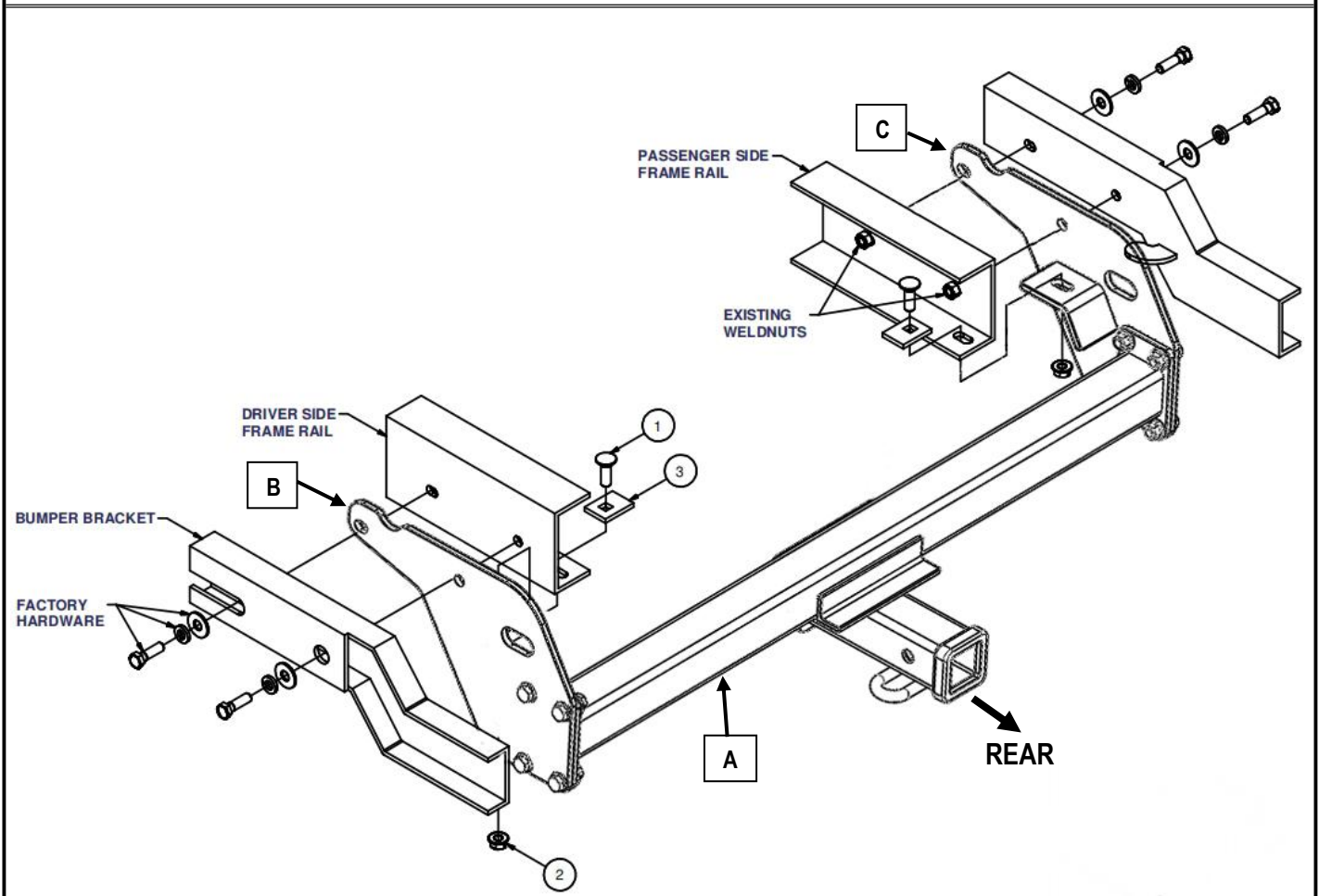
Hitch Installation Instruction

REV.20240601

| | | | | | | | | |
|-------|-----------|-------------|-----------------------------|--|--|--|--|--|
| Part# | HT-X38356 | Application | For 1995-2004 Toyota Tacoma | | | | | |
|-------|-----------|-------------|-----------------------------|--|--|--|--|--|

| Hardware List | Item | Part Name | QTY | Description | Item | Part Name | QTY | Description |
|----------------------------------|------|-----------------|-----|-------------|------|-------------------|-----|-----------------------------------|
| Hitch Parts | A | Hitch Body | 1 | | B/C | Mounting Brackets | 2 | B-Driver Side C-Passenger Side |
| HW B (For Hitch Installation) | 1# | Carriage Bolts | 2 | M12X1.75-40 | 3# | Spacers | 2 | With SQ hole |
| | 2# | Hex Flange Nuts | 2 | M12X1.75 | | | | |
| HW A (For Hitch Assembly) | 4# | Hex Bolts | 8 | M12X1.75-35 | 6# | Hex Flange Nuts | 8 | M12 |
| | 5# | Flat Washers | 16 | M12 | | | | |

Gross Load Capacity When Used As A Weight Carrying Hitch:5000 LBS. Trailer Weight & 500 LBS. Tongue Weight.
 Gross Load Capacity When Used As A Weight Distribution Hitch:6000 LBS. Trailer Weight & 600 LBS. Tongue Weight.
*****DO NOT EXCEED VEHICLE MANUFACTURER’S RECOMMENDED TOWING CAPACITY.*****



| Step | Description |
|------|---|
| 1 | Assemble Hitch Body (A) and Mounting Brackets (B, C) with (8) M12X1.75-35mm Hex Bolts, (16) M12 Flat Washers, (8) M12 Hex Flange Nuts.(Hardware in "HW A"). |
| 2 | Disconnect the license plate wiring connectors from the bumper. |
| 3 | Remove the two bolts mounting the bumper to the bumper brackets on each side. Remove the bumper from the vehicle. |

The instruction here is for your reference only. We strongly recommend the professional installer for best result. We are not responsible for any damage caused by the installation. Thank you for choosing our product!



Hitch Installation Instruction

REV.20240601

| Part# | HT-X38356 | Application | For 1995-2004 Toyota Tacoma |
|-------|---|-------------|-----------------------------|
| 4 | Remove bumper brackets from the frame rails and the two bolts on each side. | | |
| 5 | Position the receiver against the frame and install the M12 Carriage Bolts. | | |
| 6 | Re-install the bumper brackets and make sure the tabs go through the slots on the side bracket. | | |
| 7 | Re-install the bumper and license plate wires using the factory hardware. | | |
| 8 | Torque M12 Fasteners to 58 lb-ft. | | |

The instruction here is for your reference only. We strongly recommend the professional installer for best result. We are not responsible for any damage caused by the installation. Thank you for choosing our product!