



Hitch Installation Instruction

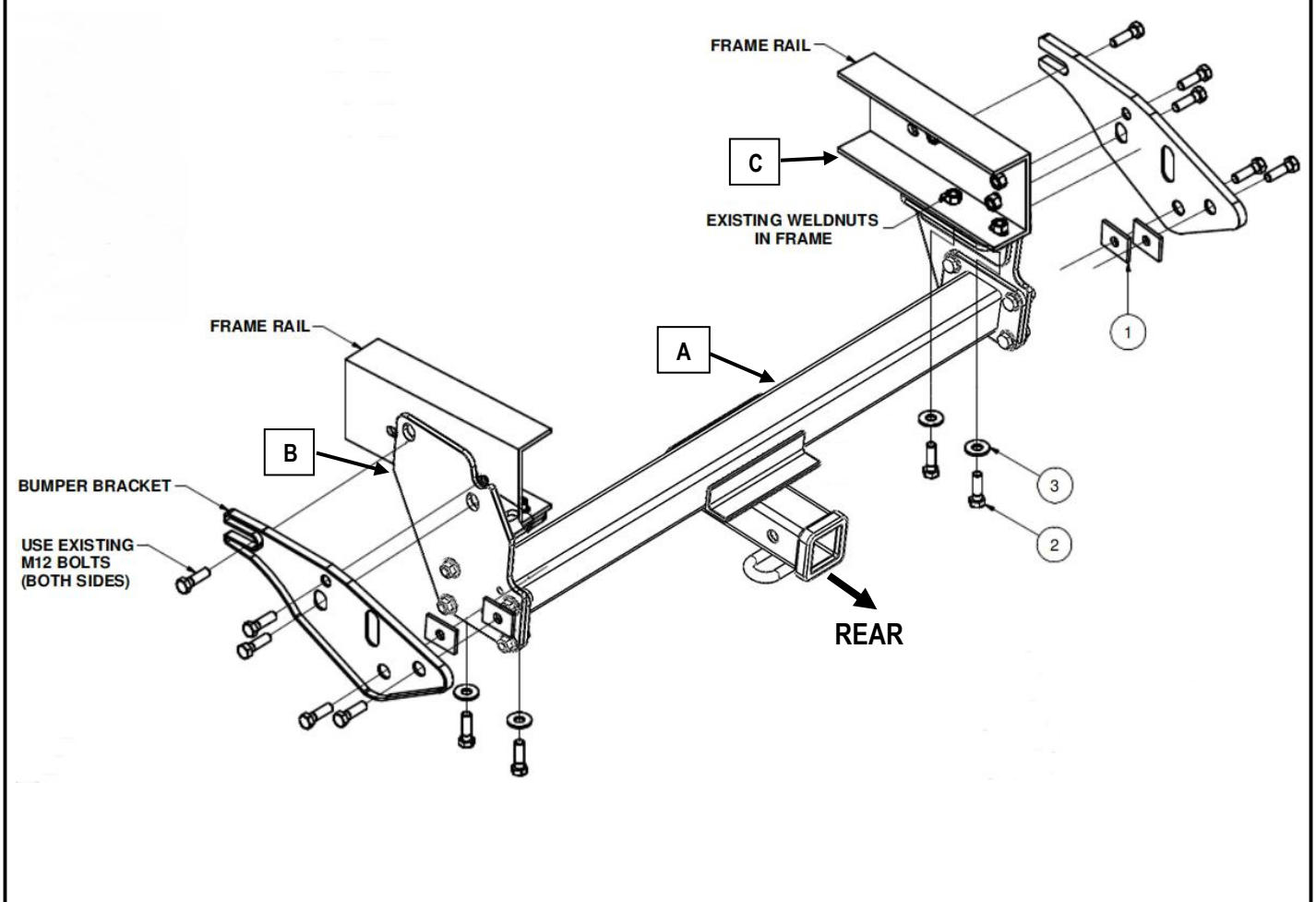
REV.20240601

Part#	HT-X36986	Application	For 2005-2015 Toyota Tacoma					
-------	-----------	-------------	-----------------------------	--	--	--	--	--

Hardware List	Item	Part Name	QTY	Description	Item	Part Name	QTY	Description
Hitch Parts	A	Hitch Body	1		B/C	Mounting Brackets	2	B-Driver Side C-Passenger Side
	HW B (For Hitch Installation)	1	Square Spacers	4	With Round Hole	3	Conical Washers	4
		2	Hex Bolts	4	M12X1.25-40			
HW A (For Hitch Assembly)	4	Hex Bolts	8	M12X1.75-35	6	Hex Flange Nuts	8	M12
		5	Flat Washers	16	M12			

Gross Load Capacity When Used As A Weight Carrying Hitch: 5000 LBS. Trailer Weight & 500 LBS. Tongue Weight.
 Gross Load Capacity When Used As A Weight Distribution Hitch: 5500 LBS. Trailer Weight & 550 LBS. Tongue Weight.
 DO NOT EXCEED VEHICLE MANUFACTURER'S RECOMMENDED TOWING CAPACITY.

No Drilling Required



The instruction here is for your reference only. We strongly recommend the professional installer for best result. We are not responsible for any damage caused by the installation. Thank you for choosing our product!



Hitch Installation Instruction

REV.20240601

Part#	HT-X36986	Application	For 2005-2015 Toyota Tacoma
-------	------------------	-------------	------------------------------------

Step	Description
1	Assemble Hitch Body (A) and Mounting Brackets (B, C) with (8) M12X1.75-35mm Hex Bolts, (16) M12 Flat Washers, (8) M12 Hex Flange Nuts.(Hardware in "HW A").
2	If bumper alignment pin interferes with hitch installation, use a saw or cutoff wheel to remove the alignment pin from the side bracket. Note: Support the bumper to keep it from dropping down during the hitch installation.
3	Remove (2) hex bolts and loosen (3) hex bolts from each of the bumper brackets, as shown above.
4	Raise the hitch into position between the bumper brackets and the vehicle frame rails. Install the supplied bolts through the hitch and up into the frame weldnuts.
5	Reinstall the factory bolts through the bumper brackets, hitch plates and into the frame.
6	With the bumper supported remove two existing hex bolts from one side of the bumper bracket and bumper structure as shown.
7	Insert two (2) spacer blocks between the bumper bracket and the bumper, as shown. Reinstall the bolts through the bumper bracket, spacer and into the bumper structure. (Both sides)
8	Torque all M12 fasteners to 86 ft-lbs, and M10 hardware to 48 ft-lbs.
9	For X-Runner only: Temporarily remove X frame support bracket for installation, replace after hitch is fully installed.

The instruction here is for your reference only. We strongly recommend the professional installer for best result. We are not responsible for any damage caused by the installation. Thank you for choosing our product!