



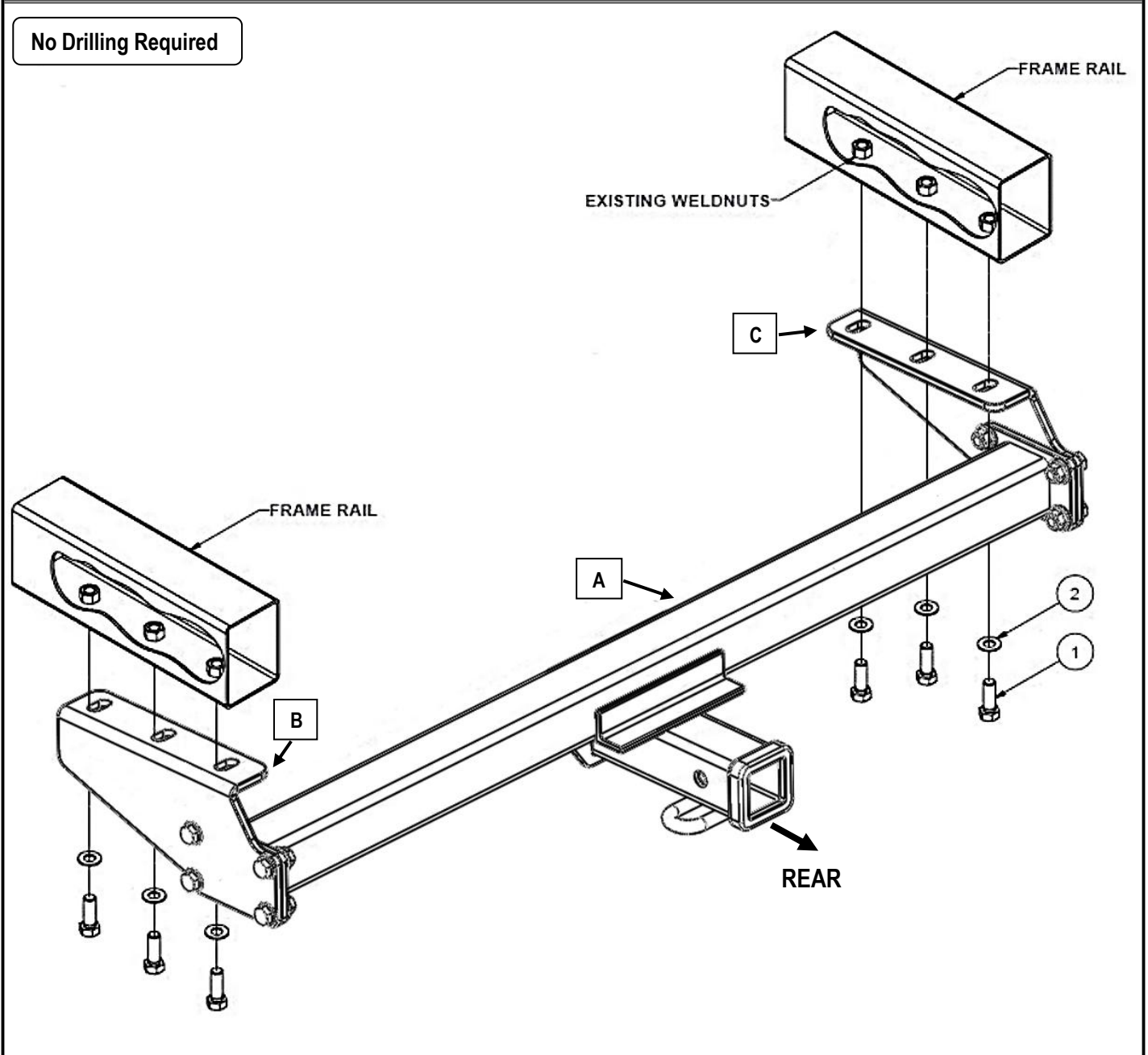
Hitch Installation Instruction

REV.20240601

Part#	HT-X36408	Application	For 2009-2012 Suzuki Equator\ 2005-2024 Nissan Frontier					
--------------	-----------	--------------------	---	--	--	--	--	--

Hardware List	Item	Part Name	QTY	Description	Item	Part Name	QTY	Description
Hitch Parts	A	Hitch Body	1		B/C	Mounting Brackets	2	B-Driver Side C-Passenger Side
HW B (For Hitch Installation)	1	Hex Bolts	6	M12X1.25-35	2	Conical Washers	6	M12
HW A (For Hitch Assembly)	3	Hex Bolts	8	M12X1.75-35	5	Hex Flange Nuts	8	M12
	4	Flat Washers	16	M12				

Gross Load Capacity When Used As A Weight Carrying Hitch: 5000 LBS. Trailer Weight & 500 LBS. Tongue Weight.
 Gross Load Capacity When Used As A Weight Distribution Hitch: 8000 LBS. Trailer Weight & 800 LBS. Tongue Weight.
*****DO NOT EXCEED VEHICLE MANUFACTURER'S RECOMMENDED TOWING CAPACITY.*****



The instruction here is for your reference only. We strongly recommend the professional installer for best result. We are not responsible for any damage caused by the installation. Thank you for choosing our product!



Hitch Installation Instruction

REV.20240601

Part#	HT-X36408	Application	For 2009-2012 Suzuki Equator\ 2005-2024 Nissan Frontier
Step	Description		
1	Assemble Hitch Body (A) and Mounting Brackets (B, C) with (8) M12X1.75-35mm Hex Bolts, (16) M12 Flat Washers, (8) M12 Hex Flange Nuts.(Hardware in "HW A").		
2	Raise hitch into position.		
3	Secure with M12 bolts and conical washers into existing weldnuts as shown.		
4	Torque all M12 fasteners to 86 ft-lbs.		
***Periodically Check The Receiver Hitch To Ensure That All Fasteners *** Are Tight & All Structural Components Are Sound.			

The instruction here is for your reference only. We strongly recommend the professional installer for best result. We are not responsible for any damage caused by the installation. Thank you for choosing our product!