



# Hitch Installation Instruction

REV.20240601

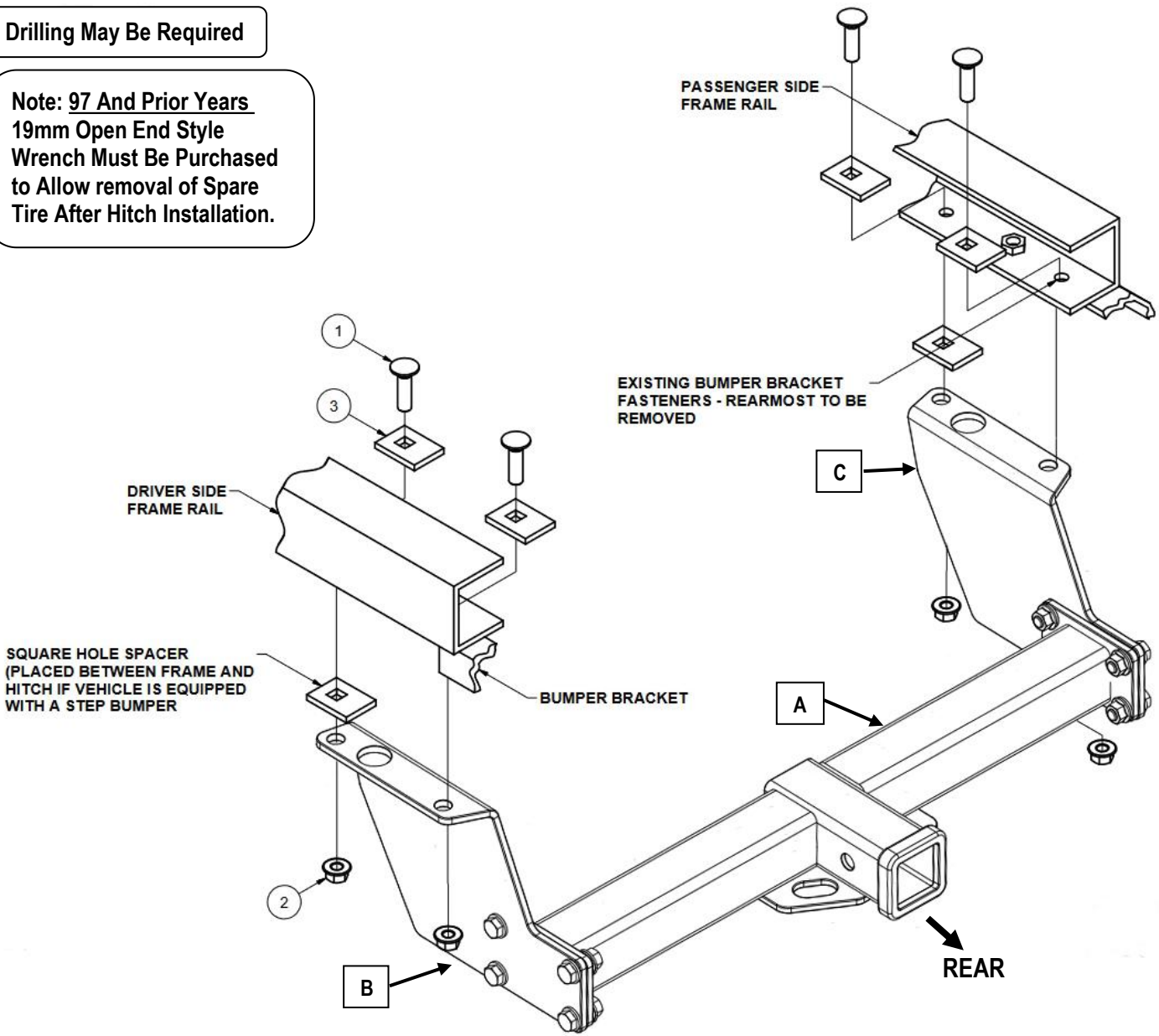
Part#	HT-X32746	Application	For 1983-2011 FORD RANGER /1994-2009 Mazda B-series Pickup
-------	-----------	-------------	--

Hardware List	Item	Part Name	QTY	Description	Item	Part Name	QTY	Description
Hitch Parts	A	Hitch Body	1		B/C	Mounting Brackets	2	B-Driver Side C-Passenger Side
HW B (For Hitch Installation)	1#	Carriage Bolts	4	M12X1.75-45	3#	Spacers	6	With SQ hole
	2#	Hex Flange Nuts	4	M12X1.75				
HW A (For Hitch Assembly)	4#	Hex Bolts	8	M12X1.75-35	6#	Hex Flange Nuts	8	M12
	5#	Flat Washers	16	M12				

Gross Load Capacity When Used As A Weight Carrying Hitch: 4000 LBS. Trailer Weight & 400 LBS. Tongue Weight.  
 Gross Load Capacity When Used As A Weight Distribution Hitch: 6000 LBS. Trailer Weight & 600 LBS. Tongue Weight.  
**\*\*\*DO NOT EXCEED VEHICLE MANUFACTURER'S RECOMMENDED TOWING CAPACITY.\*\*\***

### Drilling May Be Required

**Note: 97 And Prior Years**  
 19mm Open End Style  
 Wrench Must Be Purchased  
 to Allow removal of Spare  
 Tire After Hitch Installation.



The instruction here is for your reference only. We strongly recommend the professional installer for best result. We are not responsible for any damage caused by the installation. Thank you for choosing our product!



## Hitch Installation Instruction

REV.20240601

<b>Part#</b>	HT-X32746	<b>Application</b>	For 1983-2011 FORD RANGER /1994-2009 Mazda B-series Pickup
--------------	-----------	--------------------	--

<b>Step</b>	<b>Description</b>
1	Assemble Hitch Body (A) and Mounting Brackets (B, C) with (8) M12X1.75-35mm Hex Bolts, (16) M12 Flat Washers, (8) M12 Hex Flange Nuts.(Hardware in "HW A").
2	For vehicles with step bumper, remove rearmost bumper bracket bolts and J-nuts (both sides).
3	Position hitch on vehicle, sandwiching the bumper brackets (if present) between the hitch and the vehicle frame. Install rearmost fasteners as shown.
4	Using hitch as a template, drill two 1/2" holes into frame at forward end of hitch. <b>Note:</b> On some models, these holes may already exist.
5	Install remaining fasteners as shown. For vehicles with step bumper, place square hole spacer between frame and side brackets at forward attachment.
6	Torque M12 fastener to 58 ft-lbs.

The instruction here is for your reference only. We strongly recommend the professional installer for best result. We are not responsible for any damage caused by the installation. Thank you for choosing our product!