



Hitch Installation Instruction

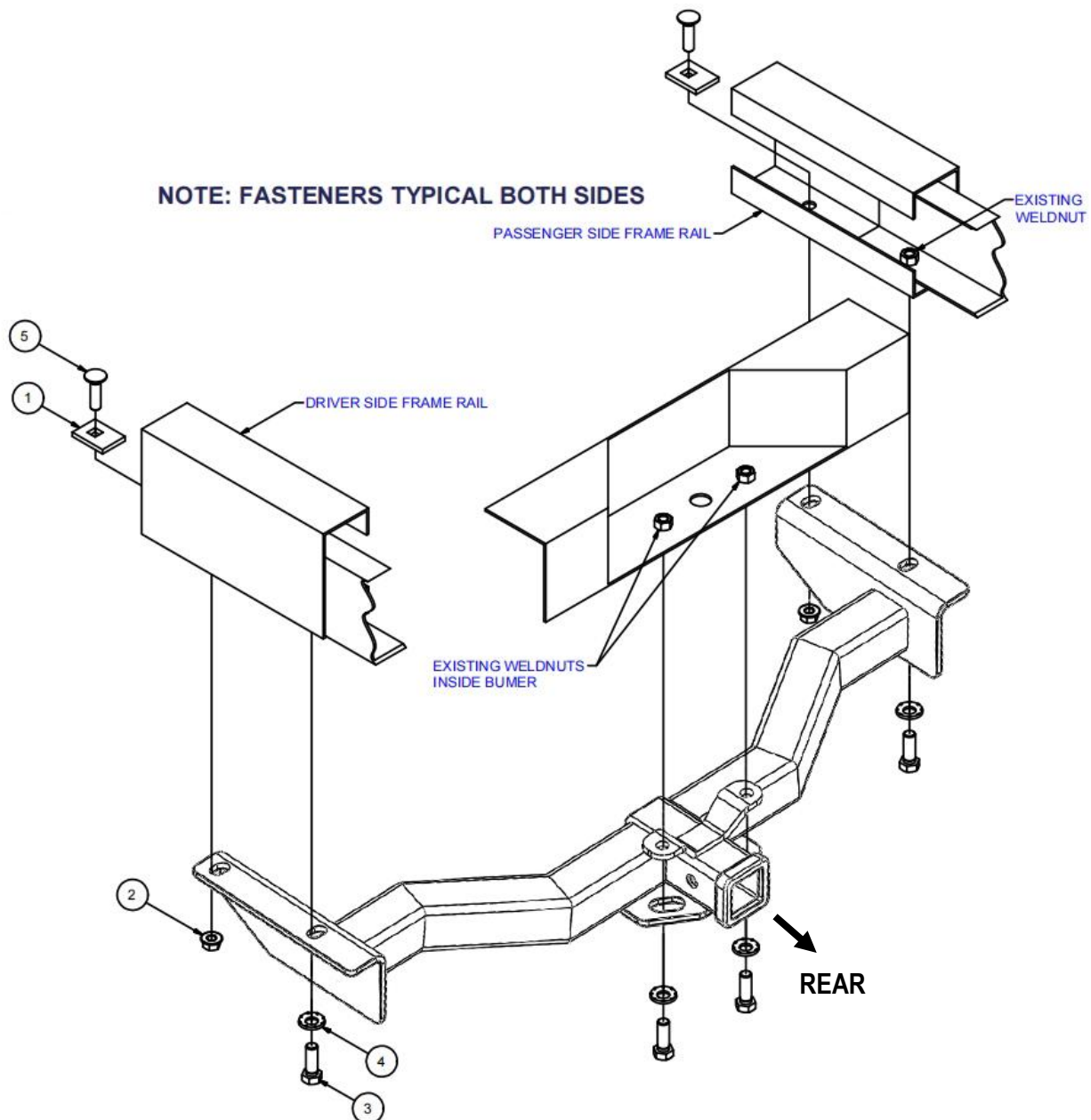
REV.20240501

Part#	HT-R30596	Application	For 2003-2006 Chevrolet Suburban 1500/2500\ 2003-2006 Chevrolet Avalanche 1500 /2500\ 2003-2006 Chevrolet Tahoe\ 2003-2006 GMC Yukon\2003-2006 Cadillac Escalade /Escalade EXT/ESV
-------	-----------	-------------	------------------------------------------------------------------------------------------------------------------------------------------------------------------------------------

Hardware List	Item	Part Name	QTY	Description	Item	Part Name	QTY	Description
	1	Spacers	2	With SQ Hole	4	Conical Washers	4	M14
	2	Hex Flange Nuts	2	M12X1.75	5	Carriage Bolts	2	M12X1.75-45
	3	Hex Bolts	4	M14X2-40				

Gross Load Capacity When Used As A Weight Carrying Hitch: 6000 LBS. Trailer Weight & 600 LBS. Tongue Weight.
 Gross Load Capacity When Used As A Weight Distribution Hitch: 10000 LBS. Trailer Weight & 1000 LBS. Tongue Weight.
*****DO NOT EXCEED VEHICLE MANUFACTURER'S RECOMMENDED TOWING CAPACITY.*****

* No Trimming Required
 * No Drilling Required



The instruction here is for your reference only. We strongly recommend the professional installer for best result. We are not responsible for any damage caused by the installation. Thank you for choosing our product!



Hitch Installation Instruction

Part#	HT-R30596	Application	For 2003-2006 Chevrolet Suburban 1500/2500\ 2003-2006 Chevrolet Avalanche 1500 /2500\ 2003-2006 Chevrolet Tahoe\ 2003-2006 GMC Yukon\2003-2006 Cadillac Escalade /Escalade EXT/ESV
-------	-----------	-------------	------------------------------------------------------------------------------------------------------------------------------------------------------------------------------------

Step	Description
1	Remove existing M14 bumper bracket bolts from the bottom surface of frame and return to vehicle owner. (Both sides)
2	Raise hitch into position and install fasteners as shown.
3	Torque all M12 fasteners to 58 lb.-ft. Torque all M14 fasteners to 126 lb.-ft.
***Periodically Check The Receiver Hitch To Ensure That All Fasteners *** Are Tight & All Structural Components Are Sound.	

The instruction here is for your reference only. We strongly recommend the professional installer for best result. We are not responsible for any damage caused by the installation. Thank you for choosing our product!