



# Hitch Installation Instruction

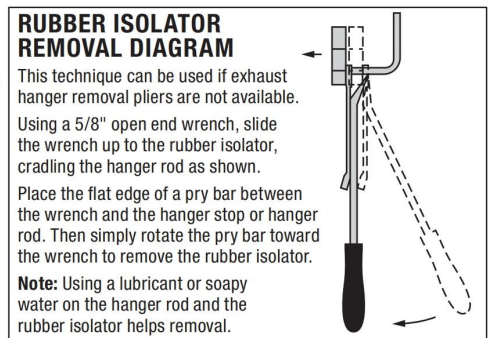
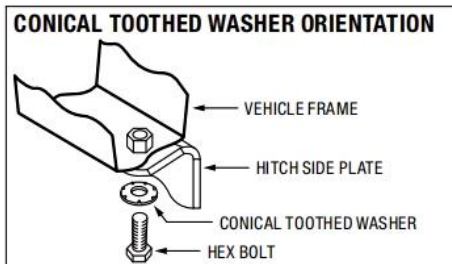
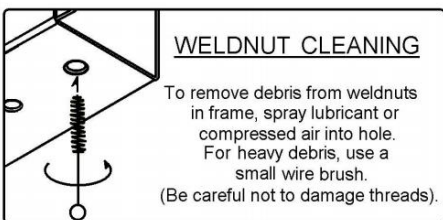
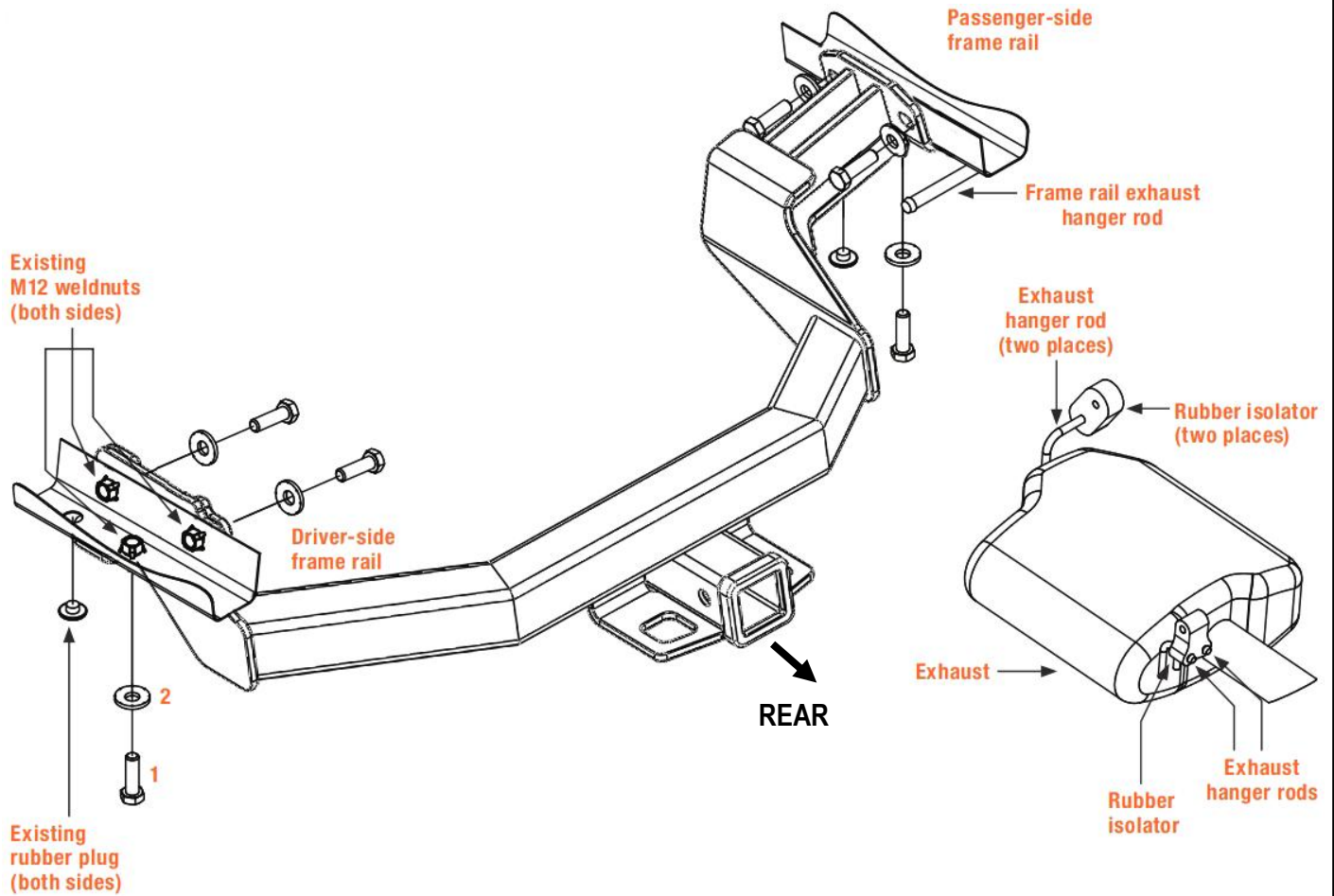
REV.20240501

Part#	HT-R30473	Application	For 2021-2024 Kia Sorento All;2021-2023 Hyundai Santa Fe All
-------	-----------	-------------	--

Hardware List	Item	Part Name	QTY	Description	Item	Part Name	QTY	Description
	1	Hex Bolts	6	M12X1.25-40	2	Conical Washers	6	M12

Gross Load Capacity When Used As A Weight Carrying Hitch: 4000 LBS. Trailer Weight & 600 LBS. Tongue Weight.  
**\*\*\*DO NOT EXCEED VEHICLE MANUFACTURER'S RECOMMENDED TOWING CAPACITY.\*\*\***

\* No Trimming Required  
 \* No Drilling Required



The instruction here is for your reference only. We strongly recommend the professional installer for best result. We are not responsible for any damage caused by the installation. Thank you for choosing our product!



# Hitch Installation Instruction

Part#	HT-R30473	Application	For 2021-2024 Kia Sorento All;2021-2023 Hyundai Santa Fe All
-------	-----------	-------------	--

Step	Description
1	<p><b>For Kia Sorento models only:</b> Remove the plastic cover by removing the three lower plastic clips located on driver side near the wheel well and gently pulling straight down.</p> <p>If the plastic cover cannot be removed by pulling down, unscrew the two upper plastic nuts by hand until you are able to remove the plastic cover. Set the plastic cover aside for reinstallation in Step 6.</p>
2	<p><b>For models with a spare tire:</b> Loosen the spare tire carrier nut using a 3/8" socket. Lower the spare tire and set aside for reinstallation in Step 6.</p>

The instruction here is for your reference only. We strongly recommend the professional installer for best result. We are not responsible for any damage caused by the installation. Thank you for choosing our product!





# Hitch Installation Instruction

Part#	HT-R30473	Application	For 2021-2024 Kia Sorento All;2021-2023 Hyundai Santa Fe All
-------	-----------	-------------	--



**3** **All models:** Lower the exhaust by removing the four rearmost exhaust hanger rods from the three rubber isolators. Use a stand to support the exhaust and prevent any damage. The exhaust will be reinstated in Step 6.



The instruction here is for your reference only. We strongly recommend the professional installer for best result. We are not responsible for any damage caused by the installation. Thank you for choosing our product!



## Hitch Installation Instruction

Part#	HT-R30473	Application	For 2021-2024 Kia Sorento All;2021-2023 Hyundai Santa Fe All
-------	-----------	-------------	--



- 4 **All models:** Remove one rubber plug from the bottom of the frame rail on both sides. Return to the owner.



- 5 **All models:** Raise the trailer hitch into position by sliding the passenger side of the hitch over the exhaust first. On both sides of the vehicle, align the three holes in the hitch with the three weld nuts in the frame rail.
- Loosely install three hex bolts (#1) and three conical washers (#2) into the hitch holes and weld nuts on both sides.
- Note:** After installation, inspect the hitch and exhaust to make sure there is adequate clearance. If additional clearance is needed between the hitch and exhaust, remove the rearmost rubber isolator from the frame-rail exhaust hanger rod. Adjust the rail exhaust hanger rod down approximately five degrees using a box end wrench as shown. Reinstall the rubber isolator.

The instruction here is for your reference only. We strongly recommend the professional installer for best result. We are not responsible for any damage caused by the installation. Thank you for choosing our product!





## Hitch Installation Instruction

Part#	HT-R30473	Application	For 2021-2024 Kia Sorento All;2021-2023 Hyundai Santa Fe All
			
6	<b>All models:</b> Reinstall the plastic cover, spare tire and exhaust removed in Step 1 through 3.		

The instruction here is for your reference only. We strongly recommend the professional installer for best result. We are not responsible for any damage caused by the installation. Thank you for choosing our product!



## Hitch Installation Instruction

Part#	HT-R30473	Application	For 2021-2024 Kia Sorento All;2021-2023 Hyundai Santa Fe All
			
<b>***Periodically Check The Receiver Hitch To Ensure That All Fasteners *** Are Tight &amp; All Structural Components Are Sound.</b>			

The instruction here is for your reference only. We strongly recommend the professional installer for best result.  
We are not responsible for any damage caused by the installation. Thank you for choosing our product!