



Hitch Installation Instruction

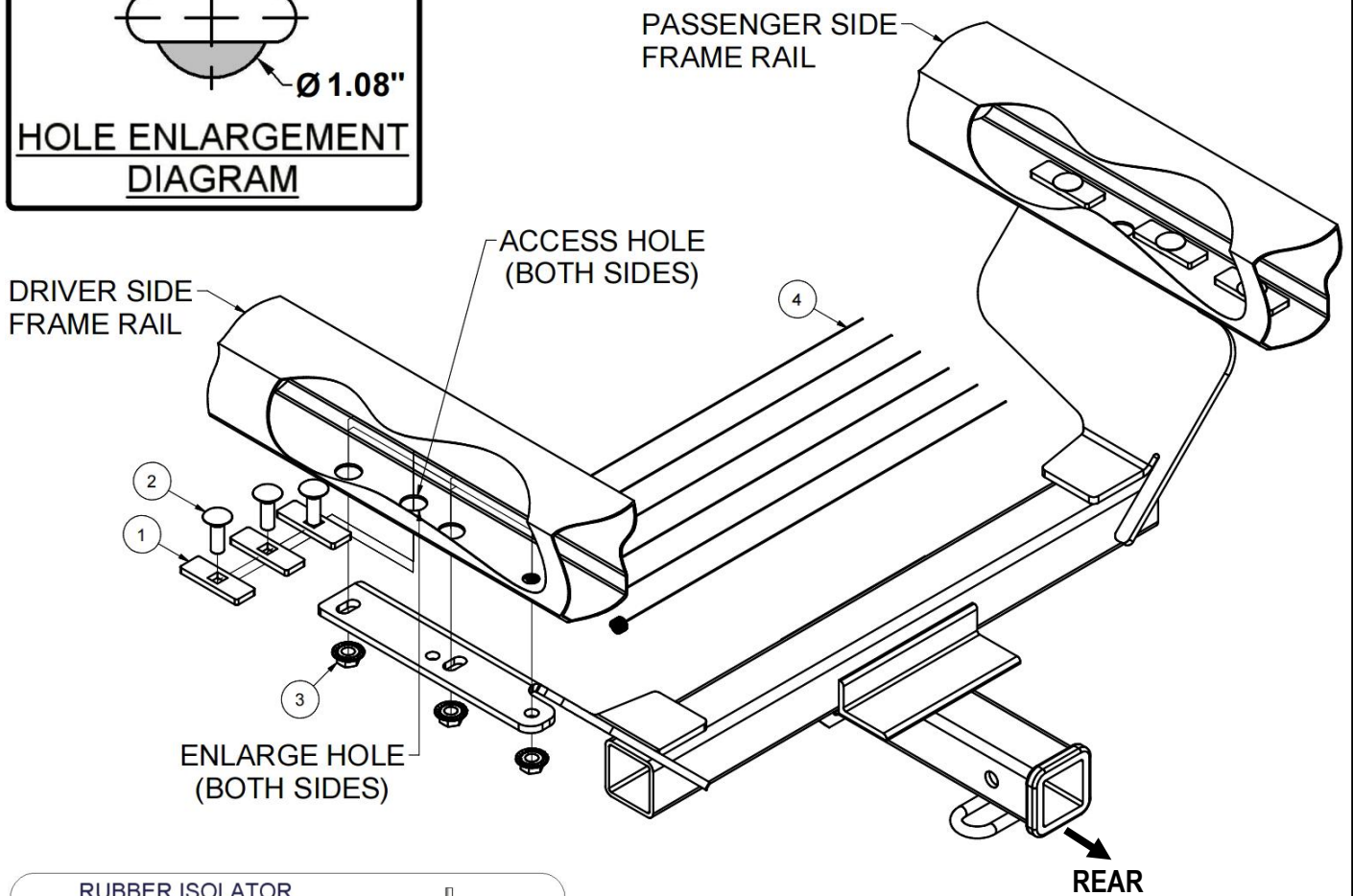
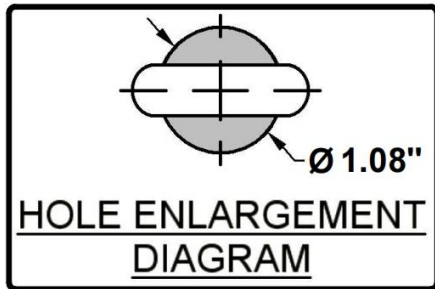
REV.20240501

Part#	HT-R30439	Application	For 2018-2024 Chevrolet Equinox\2018-2024 GMC Terrain Excluding Diesel
-------	-----------	-------------	--

Hardware List	Item	Part Name	QTY	Description	Item	Part Name	QTY	Description
	1	Spacers	6	With SQ Hole	3	Hex Flange Nuts	6	M12X1.75
	2	Carriage Bolts	6	M12X1.75-40	4	Fishwires	6	

Gross Load Capacity When Used As A Weight Carrying Hitch: 4500 LBS. Trailer Weight & 675 LBS. Tongue Weight.
 Gross Load Capacity When Used As A Weight Distribution Hitch: 4500 LBS. Trailer Weight & 675 LBS. Tongue Weight.
*****DO NOT EXCEED VEHICLE MANUFACTURER'S RECOMMENDED TOWING CAPACITY.*****

- * Trimming Required
- * No Drilling Required



RUBBER ISOLATOR REMOVAL DIAGRAM

This technique can be used if an Exhaust Hanger Removal Pliers is not available.

Using a 5/8" open end wrench, slide the wrench up to the rubber isolator, cradling the hanger rod as shown. Next place the flat edge of a pry bar between the wrench and the hanger stop or hanger rod. Then simply rotate the pry bar toward the wrench to remove the rubber isolator.

Note: Using a spray lubricant or soapy water on the hanger rod and the rubber isolator helps removal.

FISHWIRE TECHNIQUE

INSERT COILED END OF FISHWIRE TOOL THROUGH HITCH MOUNTING HOLE IN VEHICLE FRAME RAIL AND OUT THE ACCESS HOLE. PASS COILED END OF FISHWIRE THROUGH SPACER AND THREAD BOLT INTO COIL. KINK WIRE TO KEEP SPACER SEPARATE FROM BOLT AS SHOWN. PULL FISHWIRE, SPACER, AND BOLT THROUGH FRAME AND OUT MOUNTING HOLE. USE FISHWIRE TO GUIDE HITCH DURING MOUNTING AND PREVENT LOSS OF BOLT / SPACER INSIDE FRAME RAIL.




****NOTE: SOME VEHICLES MAY FISHWIRE THROUGH END OF FRAME****

The instruction here is for your reference only. We strongly recommend the professional installer for best result. We are not responsible for any damage caused by the installation. Thank you for choosing our product!



Hitch Installation Instruction

Part#	HT-R30439	Application	For 2018-2024 Chevrolet Equinox\2018-2024 GMC Terrain Excluding Diesel
-------	-----------	-------------	--

Step	Description
1	Locate and remove the (2) torx screws from the rear fascia. Save for reinstallation.
	
2	Lower the exhaust by removing the (4) bolts from each of the rear exhaust hanger brackets (2 per side) using a 15mm socket.
	
3	Finish lowering the exhaust by removing the exhaust rubber isolator in front of the muffler. Note: Be sure to support the exhaust. Slightly enlarge the center mounting point on both the driver and passenger side frame rails to allow the hardware to fit.
	
4	Utilizing the access hole, fishwire (1) M12 carriage bolt and (1) spacer into each of the three mounting holes in both frame rails.

The instruction here is for your reference only. We strongly recommend the professional installer for best result. We are not responsible for any damage caused by the installation. Thank you for choosing our product!



Hitch Installation Instruction

Part#	HT-R30439	Application	For 2018-2024 Chevrolet Equinox\2018-2024 GMC Terrain Excluding Diesel
-------	-----------	-------------	--



5	Raise hitch into position and secure the hitch to the vehicle using (6) M12 hex flange nuts.
---	--



6	Torque the M12 hardware to 58 ft-lb. Reinstall exhaust and fascia screws from step 1
---	--



7	Installation Complete.
---	------------------------

*****Periodically Check The Receiver Hitch To Ensure That All Fasteners ***
Are Tight & All Structural Components Are Sound.**

The instruction here is for your reference only. We strongly recommend the professional installer for best result. We are not responsible for any damage caused by the installation. Thank you for choosing our product!