



# Hitch Installation Instruction

REV.20241201

Part#	HT-R30149	Application	2006-2018 Toyota Rav 4 (Excluding Electric Models)					
-------	-----------	-------------	--	--	--	--	--	--

Hardware List	Item	Part Name	QTY	Description	Item	Part Name	QTY	Description
	1	Hex Bolts	4	M12 X1.25-35	2	Conical Washer	4	M12

Gross Load Capacity When Used As A Weight Carrying Hitch: 3500 LBS. Trailer Weight & 525 LBS. Tongue Weight.  
 Gross Load Capacity When Used As A Weight Distribution Hitch: 4000LBS. Trailer Weight & 525 LBS. Tongue Weight  
**\*\*\*DO NOT EXCEED VEHICLE MANUFACTURER'S RECOMMENDED TOWING CAPACITY.\*\*\***

**\* No Drilling Required**

**RUBBER ISOLATOR REMOVAL DIAGRAM**

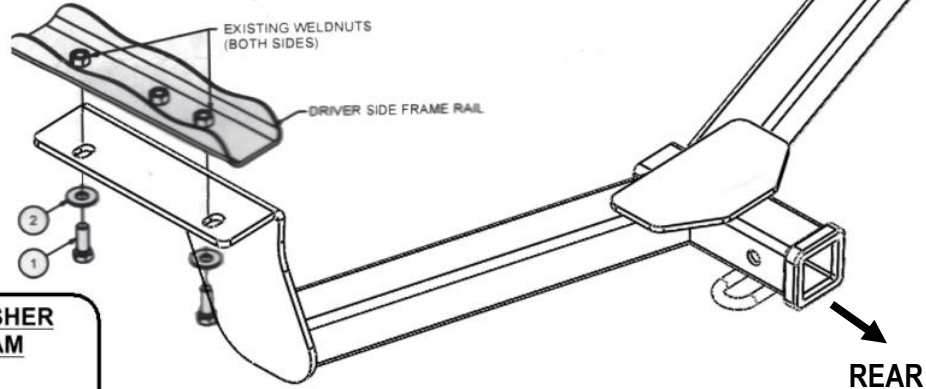
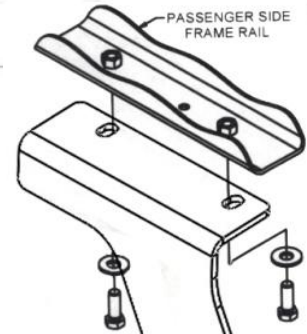
This technique can be used if and Exhaust Hanger Removal Pliers is not available.

Using a 5/8" open end wrench, slide the wrench up to the rubber isolator, cradling the hanger rod as shown. Next place the flat edge of a pry bar between the wrench and the hanger stop or hanger rod. Then simply rotate the pry bar toward the wrench to remove the rubber isolator.

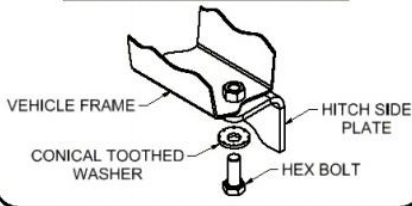
Note: Using a spray lubricant or soapy water on the hanger rod and the rubber isolator helps removal.



1.500 in+ USE RIB AS GUIDE  
 PANEL TRIM DIAGRAM



**CONICAL TOOTHED WASHER ORIENTATION DIAGRAM**



Step	Description
1	If present remove panel and trim using panel trim diagram above as reference. Remove tie down bracket from the driver's side of the vehicle.
2	Lower rear most exhaust isolator for ease of installation.
3	Raise hitch into position over existing weld-nuts and install the supplied 12mm hex bolts and conical tooth washers as shown.
4	Raise exhaust back into location and reinstall rubber isolator.
5	Tighten all fasteners. <b>Torque all M12 hardware to 86 ft-lbs.</b>

**\*\*\*Periodically Check The Receiver Hitch To Ensure That All Fasteners \*\*\*  
 Are Tight & All Structural Components Are Sound.**

The instruction here is for your reference only. We strongly recommend the professional installer for best result. We are not responsible for any damage caused by the installation. Thank you for choosing our product!