



# Hitch Installation Instruction

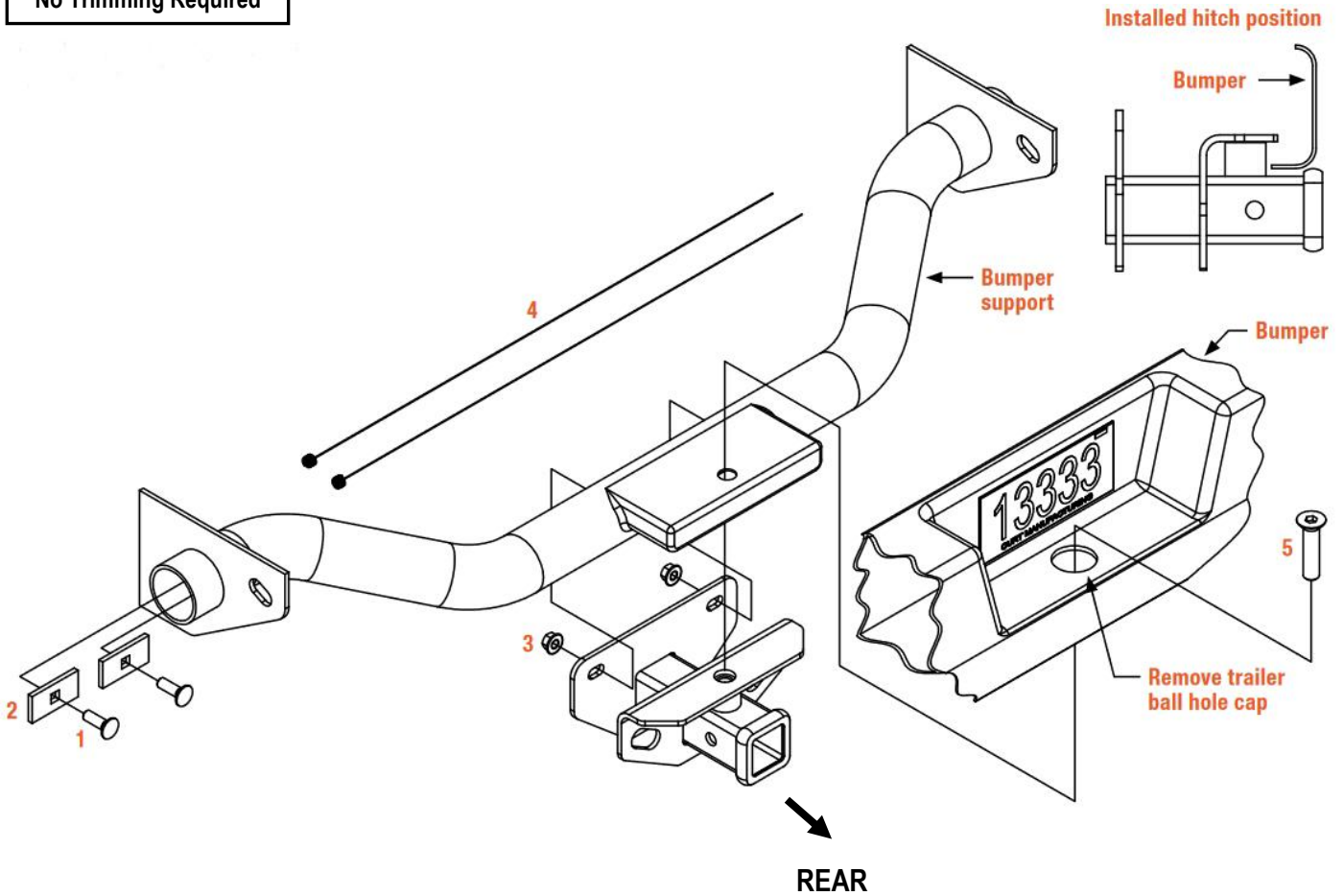
REV.20240601

Part#	HT-R30116	Application	For 2003-2013 Dodge Ram 1500 2500 3500; 2014-2018 Ram 1500; 2019-2024 Ram 1500 Classic					
-------	-----------	-------------	--	--	--	--	--	--

Hardware List	Item	Part Name	QTY	Description	Item	Part Name	QTY	Description
	1#	Carriage Bolts	2	M12X1.75-40	4#	Fishwires	2	
	2#	Spacers	2	With SQ hole	5#	Flat-head socket bolt	1	
	3#	Hex Flange Nuts	2	M12X1.75				

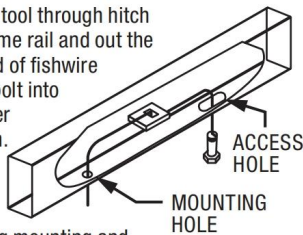
Gross Load Capacity When Used As A Weight Carrying Hitch: 6000 LBS. Trailer Weight & 600 LBS. Tongue Weight.  
 Gross Load Capacity When Used As A Weight Distribution Hitch: 10000 LBS. Trailer Weight & 1000 LBS. Tongue Weight  
**\*\*\*DO NOT EXCEED VEHICLE MANUFACTURER'S RECOMMENDED TOWING CAPACITY.\*\*\***

**\*No Drilling Required**  
**\*No Trimming Required**



### FISHWIRE TECHNIQUE

Insert coiled end of fishwire tool through hitch mounting hole in vehicle frame rail and out the access hole. Pass coiled end of fishwire through spacer and thread bolt into coil. Kink wire to keep spacer separate from bolt as shown. Pull fishwire, spacer and bolt through frame and out mounting hole. Use fishwire to guide hitch during mounting and prevent loss of bolt or spacer inside frame rail.



The instruction here is for your reference only. We strongly recommend the professional installer for best result. We are not responsible for any damage caused by the installation. Thank you for choosing our product!



## Hitch Installation Instruction

Part#	HT-R30116	Application	For 2003-2013 Dodge Ram 1500 2500 3500; 2014-2018 Ram 1500; 2019-2024 Ram 1500 Classic
-------	-----------	-------------	--

Step	Description
1	Remove the existing trailer ball hole cap from the center of the bumper and return it to the vehicle owner. Raise the trailer hitch into position and secure with the provided M12 flat-head socket bolt (#5) through the bumper and bumper support into the hitch.
2	Fishwire (#4) M12 carriage bolts (#1) and square-hole spacers (#2) through the end of the bumper support tube and into each mounting hole of the hitch.
3	Secure the trailer hitch to the bumper support with M12 Hex flange nuts (#3).
4	Tighten all fasteners. <b>Torque all M12 hardware to 58 ft-lbs. Torque M18 hardware to 250 ft-lbs.</b>
<b>***Periodically Check The Receiver Hitch To Ensure That All Fasteners *** Are Tight &amp; All Structural Components Are Sound.</b>	

The instruction here is for your reference only. We strongly recommend the professional installer for best result. We are not responsible for any damage caused by the installation. Thank you for choosing our product!