



# Hitch Installation Instruction

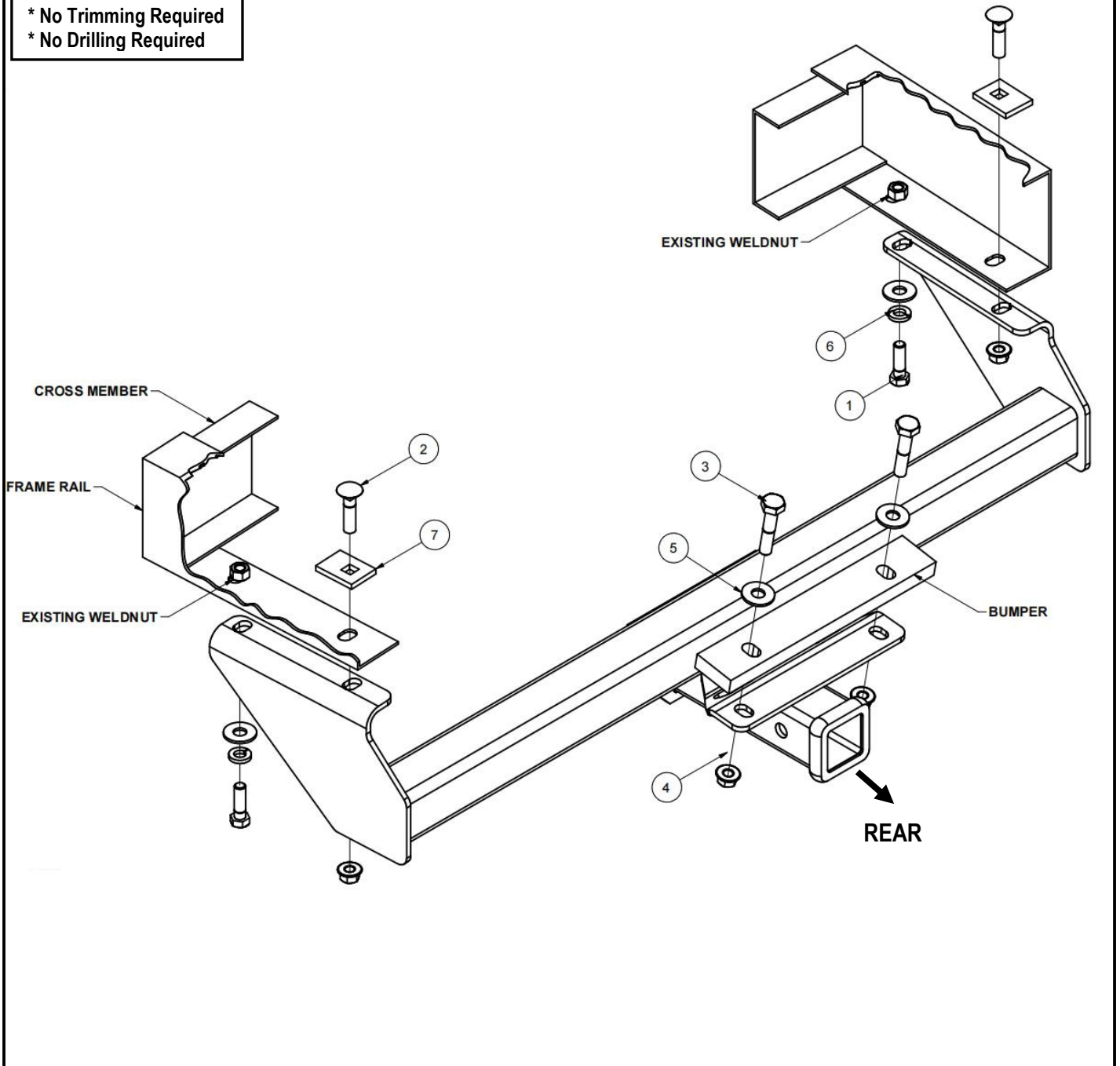
REV.20240401

Part#	HT-R30985	Application	For 2000-2006 Toyota Tundra Excludes towable bumper models
-------	-----------	-------------	--

Hardware List	Item	Part Name	QTY	Description	Item	Part Name	QTY	Description
	1	Hex Bolts	2	M12X1.25-40	5	Large Flat Washers	4	M12
	2	Carriage Bolts	2	M12X1.75-50	6	Lock Washers	2	M12
	3	Hex Bolts	2	M12X1.75-90	7	Spacers	2	With SQ Hole
	4	Hex Flange Nuts	4	M12X1.75				

Gross Load Capacity When Used As A Weight Carrying Hitch: 6000 LBS. Trailer Weight & 600 LBS. Tongue Weight.  
 Gross Load Capacity When Used As A Weight Distribution Hitch: 10000 LBS. Trailer Weight & 1000 LBS. Tongue Weight.  
**\*\*\*DO NOT EXCEED VEHICLE MANUFACTURER'S RECOMMENDED TOWING CAPACITY.\*\*\***

- \* No Trimming Required
- \* No Drilling Required



The instruction here is for your reference only. We strongly recommend the professional installer for best result. We are not responsible for any damage caused by the installation. Thank you for choosing our product!



## Hitch Installation Instruction

Part#	HT-R30985	Application	For 2000-2006 Toyota Tundra Excludes towable bumper models
-------	-----------	-------------	--

Step	Description
1	Remove two fascia cups on bumper and return to owner.
2	Raise hitch into position.
3	Install (2) M12X1.25-40 hex bolts. (hand tighten).
4	Install (2) M12X1.75-90 hex bolts with washers into bumper and tighten.
5	Install (2) M12X1.75-50 carriage bolts with square hole spacer and hex flange nut.
6	Torque M12 Carriage Bolts to 58 ft-lb. Torque M12 Hex bolts to 86 ft-lb.
<b>***Periodically Check The Receiver Hitch To Ensure That All Fasteners *** Are Tight &amp; All Structural Components Are Sound.</b>	

The instruction here is for your reference only. We strongly recommend the professional installer for best result. We are not responsible for any damage caused by the installation. Thank you for choosing our product!