



Hitch Installation Instruction

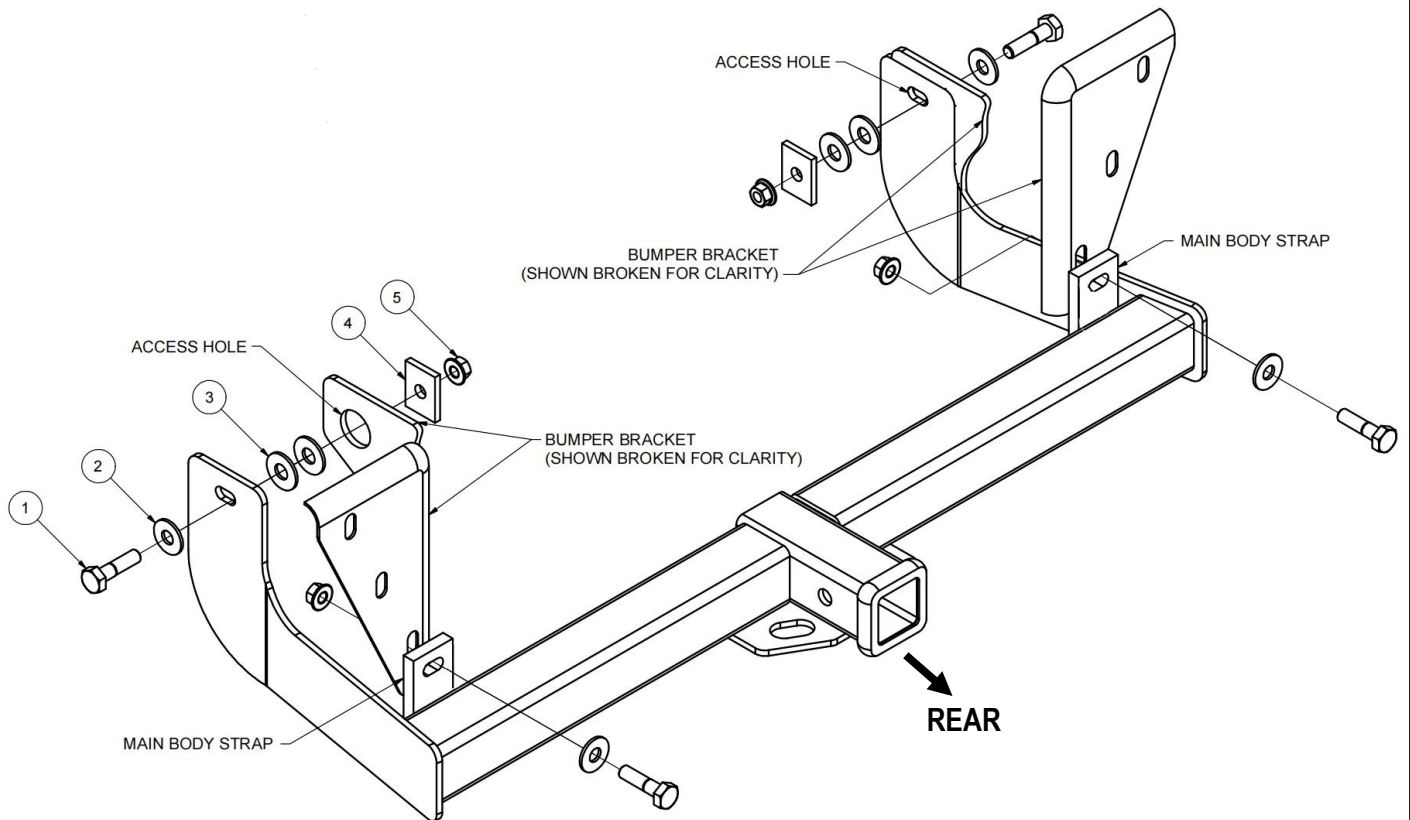
REV.20240401

Part#	HT-R39221	Application	For 2009-2014 Ford F-150 Excluding factory receiver
-------	-----------	-------------	---

Hardware List	Item	Part Name	QTY	Description	Item	Part Name	QTY	Description
	1	Hex Bolts	4	M12X1.75-50	4	Spacers	2	With Round Hole
	2	Flat Washers	4	M12	5	Hex Flange Nuts	4	M12X1.75
	3	Flat Washers	4	M14				

Gross Load Capacity When Used As A Weight Carrying Hitch: 6000 LBS. Trailer Weight & 600 LBS. Tongue Weight.
 Gross Load Capacity When Used As A Weight Distribution Hitch: 11000 LBS. Trailer Weight & 1100 LBS. Tongue Weight.
*****DO NOT EXCEED VEHICLE MANUFACTURER'S RECOMMENDED TOWING CAPACITY.*****

- * No Trimming Required
- * No Drilling Required



The instruction here is for your reference only. We strongly recommend the professional installer for best result. We are not responsible for any damage caused by the installation. Thank you for choosing our product!



Hitch Installation Instruction

Part#	HT-R39221	Application	For 2009-2014 Ford F-150 Excluding factory receiver
-------	-----------	-------------	---

Step	Description
1	Note: Removal of the spare tire may ease hitch installation, although it is not necessary.
2	Raise hitch into position and fasten the hitch to the bumper brackets using the main body straps as shown.
3	Attach remaining fasteners as shown, placing (2) M14 washers inside the access hole in the bumper bracket on each side. Use the hitch and spacer to retain the washers.
4	Torque all fasteners to 86 lb-ft.
5	Reinstall spare tire if it was removed for hitch installation. Make sure the spare tire does not contact the bolts.
***Periodically Check The Receiver Hitch To Ensure That All Fasteners *** Are Tight & All Structural Components Are Sound.	

The instruction here is for your reference only. We strongly recommend the professional installer for best result. We are not responsible for any damage caused by the installation. Thank you for choosing our product!