



Hitch Installation Instruction

REV.20240401

Part#	HT-R31921	Application	For 2010-2017 Volvo XC60 ALL
-------	-----------	-------------	------------------------------

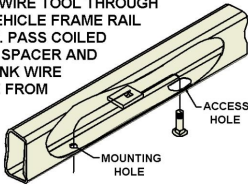
Hardware List	Item	Part Name	QTY	Description	Item	Part Name	QTY	Description
	1	Hex Flange Nuts	6	M10X1.5	5	Spacers	4	With SQ Hole (Large)
	2	Carriage Bolts	4	M10X1.5-40	6	Spacers	2	With SQ Hole (Small)
	3	Carriage Bolts	2	M10X1.5-50	7	Spacers	2	With Round Hole
	4	Fishwires	2					

Gross Load Capacity When Used As A Weight Carrying Hitch: 4000 LBS. Trailer Weight & 400 LBS. Tongue Weight.
 Gross Load Capacity When Used As A Weight Distribution Hitch: 4500 LBS. Trailer Weight & 450 LBS. Tongue Weight.
*****DO NOT EXCEED VEHICLE MANUFACTURER'S RECOMMENDED TOWING CAPACITY.*****

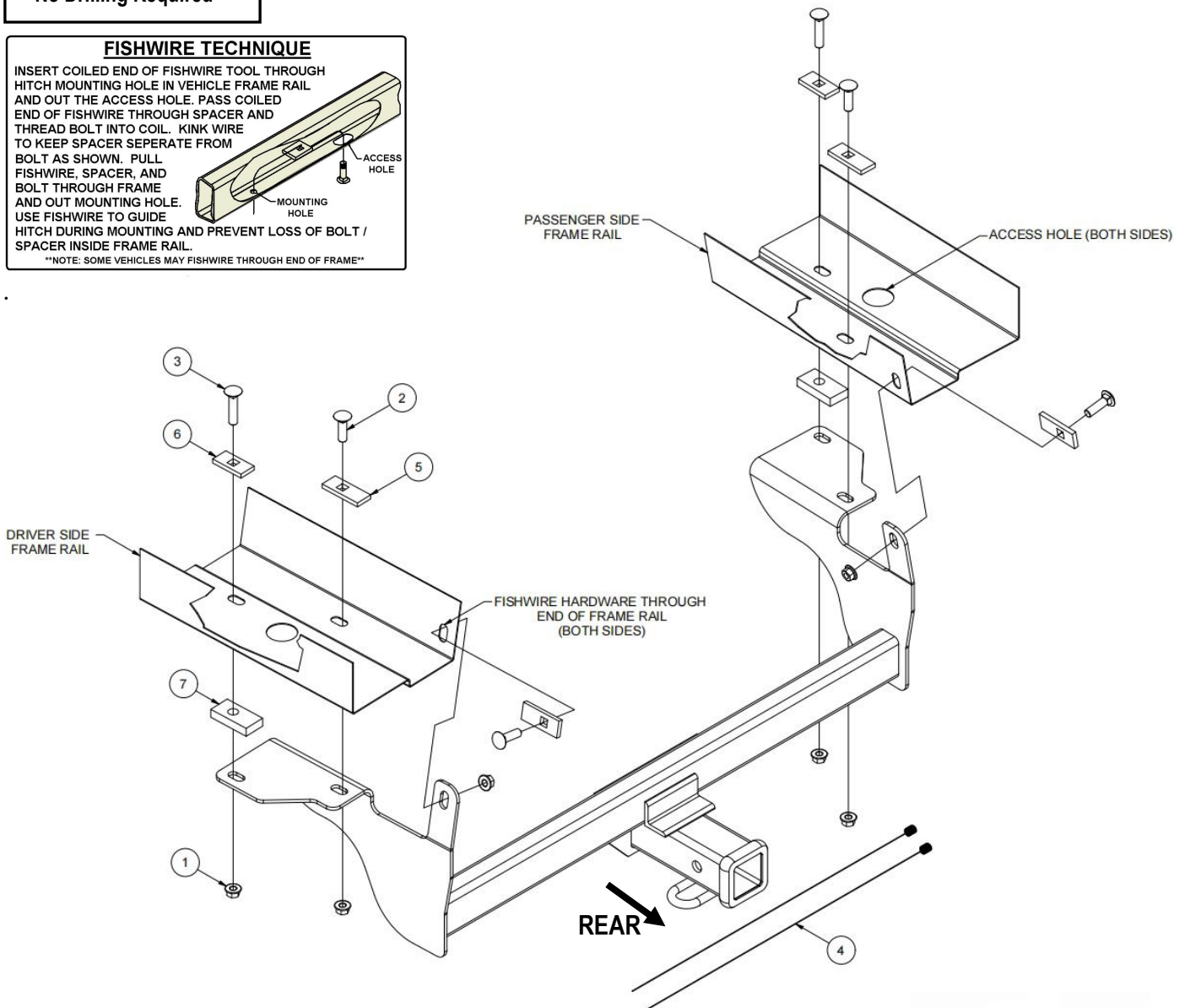
- * No Trimming Required
- * No Drilling Required

FISHWIRE TECHNIQUE

INSERT COILED END OF FISHWIRE TOOL THROUGH HITCH MOUNTING HOLE IN VEHICLE FRAME RAIL AND OUT THE ACCESS HOLE. PASS COILED END OF FISHWIRE THROUGH SPACER AND THREAD BOLT INTO COIL. KINK WIRE TO KEEP SPACER SEPERATE FROM BOLT AS SHOWN. PULL FISHWIRE, SPACER, AND BOLT THROUGH FRAME AND OUT MOUNTING HOLE. USE FISHWIRE TO GUIDE HITCH DURING MOUNTING AND PREVENT LOSS OF BOLT / SPACER INSIDE FRAME RAIL.



****NOTE: SOME VEHICLES MAY FISHWIRE THROUGH END OF FRAME****



The instruction here is for your reference only. We strongly recommend the professional installer for best result. We are not responsible for any damage caused by the installation. Thank you for choosing our product!



Hitch Installation Instruction

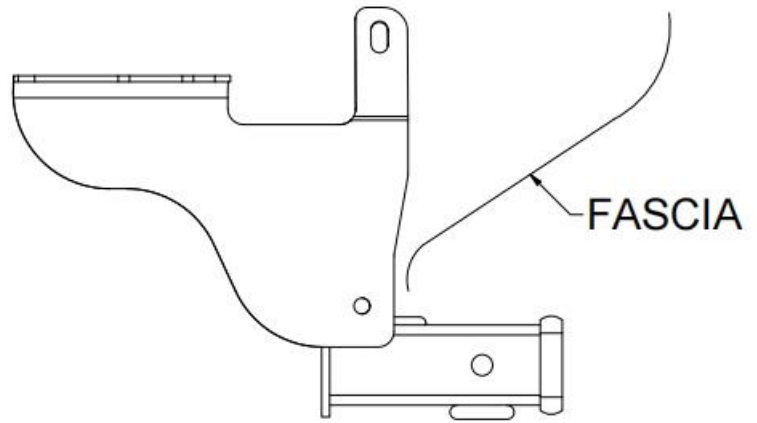
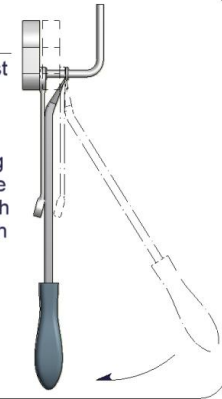
Part#	HT-R31921	Application	For 2010-2017 Volvo XC60 ALL
-------	-----------	-------------	------------------------------

RUBBER ISOLATOR REMOVAL DIAGRAM

This technique can be used if an Exhaust Hanger Removal Pliers is not available.

Using a 5/8" open end wrench, slide the wrench up to the rubber isolator, cradling the hanger rod as shown. Next place the flat edge of a pry bar between the wrench and the hanger stop or hanger rod. Then simply rotate the pry bar toward the wrench to remove the rubber isolator.

Note: Using a spray lubricant or soapy water on the hanger rod and the rubber isolator helps removal.



INSTALLED HITCH POSITION

Step	Description
1	Note: On 2015 and newer vehicles with dual exhaust, remove the screws attaching the decorative exhaust ports in the fascia using a T15 Torx socket.
2	Lower exhaust by removing rubber isolator(s) from muffler(s). (See RUBBER ISOLATOR REMOVAL DIAGRAM.)
3	Remove exhaust hanger for ease of heat shield trimming. Save exhaust hanger for reinstallation in Step 15.
4	Trim heat shields (one per side) to provide clearance around hitch side plates.
5	Remove tape covering holes on bottom and sides of each frame rail. Save tape for reuse in Step 14.
6	Fishwire M10X1.5-40 carriage bolts and Large SQ hole spacers through access hole in frame rails and out middle mounting hole for hitch. (See FISHWIRE TECHNIQUE diagram.)
7	Raise hitch into position over exhaust and secure hitch with hand tightened hex flange nuts, as shown.
8	Slide Round hole spacers into position between hitch side plates and frame rails for front mounting holes, as shown.
9	Fishwire M10X1.5-50 carriage bolts and Small SQ hole spacers through access holes and out front mounting holes, as shown. (See FISHWIRE TECHNIQUE diagram.)
10	Install hand tightened hex flange nuts onto hardware from Step 9.
11	Fishwire M10X1.5-50 carriage bolts and Small SQ hole spacer through rear of frame rails and out mounting holes on sides of rails, as shown. (See FISHWIRE TECHNIQUE diagram.)
12	Install hand tightened hex flange nuts onto hardware from Step 11.
13	Torque M10 hardware to 32 lb-ft.
14	Cut tape removed in Step 5 into strips to cover unused holes exposed in frame rails.
15	Reinstall exhaust hanger removed in Step 3.
16	Raise exhaust back into position and reinstall rubber isolators (removed in Step 2) and decorative exhaust ports if removed.
***Periodically Check The Receiver Hitch To Ensure That All Fasteners *** Are Tight & All Structural Components Are Sound.	

The instruction here is for your reference only. We strongly recommend the professional installer for best result. We are not responsible for any damage caused by the installation. Thank you for choosing our product!